



General Characteristics of Industrial Infrared Heater THSS Series 3 Lamp

ETL-CETL Listed for suspended, totally exposed (outdoor), high-bay (indoor) comfort heating and exterior snow & ice control applications.

Listed for recessed applications. 20 gauge painted steel or stainless steel housings. Gold anodized aluminum reflectors & end caps.

50% higher Watt densities for 3-element units. 3-Lamp wiring, single phase stainless steel models have non-corrosive housing, hardware, and brackets; no ferrous metals used in the unit. Durable in harsh atmospheres & outdoor environments. High temperature lead wires. Clear Quartz Lamp(s) Included. Series: Stainless Steel 3-lamp.

20 gauge Stainless Steel for durability and corrosion resistance. Housing is ETL Listed for both indoor and totally exposed outdoor applications.

Reflectors and End Caps: .040 Gold anodized Aluminum reflectors and end caps for superior reflectivity. Three choices of reflector patterns including 30 degree narrow symmetric, 60 degree medium symmetric, and 90 degree wide symmetric. Elements: Clear quartz lamps. Coiled tungsten filament located within a sealed quartz envelope, halogen filled, with porcelain end caps and 6" wire pigtail leads. 96% radiant delivered efficiency with high moisture and thermal shock resistance. Instantaneous heat-up and cool-down performance. Available wattages from 500 to 3800 Watts per element. Available voltages from 120 to 600 Volts. Controls: Mul-T-Mount heaters are not manufactured with any control device on the unit. All controls are accessories and should be specified as such. Please consult the technical sales department of the factory for help in determining applicable controls. Please follow installation instructions that accompany each heater. Accessories: Thermostats, snow detectors, SCR controllers, and power contactor panels. All accessories are quoted separately.



Product Applications of Industrial Infrared Heater THSS Series 3 Lamp

Overhead Infrared Heaters for Snow & Ice Control, Outdoor Spot Heating & All Indoor Heating Applications

Warranty of Industrial Infrared Heater THSS Series 3 Lamp

Manufacturer's Warranty: 1 year.
 The life expectancy of all heating elements 5,000 hours.
 Heating elements operate at 50/60 Hertz.

Specific Characteristics of Industrial Infrared Heater THSS Series 3 Lamp

Item #	Manufacturing #	KW	BTU'S	Volts	Reflector Pattern	Color	Mount Type	Guard Options	# of Quartz Lamps Included	Weight and Dimension with Packaging	
										Lbs.	L,W,H In
USDYH-001	223-30-THSS-208V + VMB-41-SS + CHWG-223	4.8	16,382	208	30° Symmetrical	Stainless Steel	Wall	Guard	3	39	24,22,11
USDYH-002	223-30-THSS-208V + VMB-41-SS	4.8	16,382	208	30° Symmetrical	Stainless Steel	Wall	-	3	37	24,22,11



THSS Series 3 Lamp
Mul-T-Mount Electric
Infrared Heater Stainless Steel
 Data Sheet

Item #	Manufacturing #	KW	BTU'S	Volts	Reflector Pattern	Color	Mount Type	Guard Options	# of Quartz Lamps Included	Weight and Dimension with Packaging	
										Lbs.	L,W,H In
USDYH-003	223-30-THSS-208V + CHWG-223	4.8	16,382	208	30° Symmetrical	Stainless Steel	Ceiling	Guard	3	27	24,22,11
USDYH-004	223-30-THSS-208V	4.8	16,382	208	30° Symmetrical	Stainless Steel	Ceiling	-	3	25	24,22,11
USDYH-005	223-30-THSS-240V + VMB-41-SS + CHWG-223	4.8	16,382	240	30° Symmetrical	Stainless Steel	Wall	Guard	3	39	24,22,11
USDYH-006	223-30-THSS-240V + VMB-41-SS	4.8	16,382	240	30° Symmetrical	Stainless Steel	Wall	-	3	37	24,22,11
USDYH-007	223-30-THSS-240V + CHWG-223	4.8	16,382	240	30° Symmetrical	Stainless Steel	Ceiling	Guard	3	27	24,22,11
USDYH-008	223-30-THSS-240V	4.8	16,382	240	30° Symmetrical	Stainless Steel	Ceiling	-	3	25	24,22,11
USDYH-009	223-30-THSS-277V + VMB-41-SS + CHWG-223	4.8	16,382	277	30° Symmetrical	Stainless Steel	Wall	Guard	3	39	24,22,11
USDYH-010	223-30-THSS-277V + VMB-41-SS	4.8	16,382	277	30° Symmetrical	Stainless Steel	Wall	-	3	37	24,22,11
USDYH-011	223-30-THSS-277V + CHWG-223	4.8	16,382	277	30° Symmetrical	Stainless Steel	Ceiling	Guard	3	27	24,22,11
USDYH-012	223-30-THSS-277V	4.8	16,382	277	30° Symmetrical	Stainless Steel	Ceiling	-	3	25	24,22,11
USDYH-013	223-30-THSS-480V + VMB-41-SS + CHWG-223	4.8	16,382	480	30° Symmetrical	Stainless Steel	Wall	Guard	3	39	24,22,11
USDYH-014	223-30-THSS-480V + VMB-41-SS	4.8	16,382	480	30° Symmetrical	Stainless Steel	Wall	-	3	37	24,22,11
USDYH-015	223-30-THSS-480V + CHWG-223	4.8	16,382	480	30° Symmetrical	Stainless Steel	Ceiling	Guard	3	27	24,22,11
USDYH-016	223-30-THSS-480V	4.8	16,382	480	30° Symmetrical	Stainless Steel	Ceiling	-	3	25	24,22,11
USDYH-017	223-60-THSS-208V + VMB-41-SS + CHWG-223	4.8	16,382	208	60° Symmetrical	Stainless Steel	Wall	Guard	3	39	24,22,11
USDYH-018	223-60-THSS-208V + VMB-41-SS	4.8	16,382	208	60° Symmetrical	Stainless Steel	Wall	-	3	37	24,22,11
USDYH-019	223-60-THSS-208V + CHWG-223	4.8	16,382	208	60° Symmetrical	Stainless Steel	Ceiling	Guard	3	27	24,22,11
USDYH-020	223-60-THSS-208V	4.8	16,382	208	60° Symmetrical	Stainless Steel	Ceiling	-	3	25	24,22,11
USDYH-021	223-60-THSS-240V + VMB-41-SS + CHWG-223	4.8	16,382	240	60° Symmetrical	Stainless Steel	Wall	Guard	3	39	24,22,11
USDYH-022	223-60-THSS-240V + VMB-41-SS	4.8	16,382	240	60° Symmetrical	Stainless Steel	Wall	-	3	37	24,22,11
USDYH-023	223-60-THSS-240V + CHWG-223	4.8	16,382	240	60° Symmetrical	Stainless Steel	Ceiling	Guard	3	27	24,22,11
USDYH-024	223-60-THSS-240V	4.8	16,382	240	60° Symmetrical	Stainless Steel	Ceiling	-	3	25	24,22,11
USDYH-025	223-60-THSS-277V + VMB-41-SS + CHWG-223	4.8	16,382	277	60° Symmetrical	Stainless Steel	Wall	Guard	3	39	24,22,11
USDYH-026	223-60-THSS-277V + VMB-41-SS	4.8	16,382	277	60° Symmetrical	Stainless Steel	Wall	-	3	37	24,22,11
USDYH-027	223-60-THSS-277V + CHWG-223	4.8	16,382	277	60° Symmetrical	Stainless Steel	Ceiling	Guard	3	27	24,22,11
USDYH-028	223-60-THSS-277V	4.8	16,382	277	60° Symmetrical	Stainless Steel	Ceiling	-	3	25	24,22,11
USDYH-029	223-60-THSS-480V + VMB-41-SS + CHWG-223	4.8	16,382	480	60° Symmetrical	Stainless Steel	Wall	Guard	3	39	24,22,11
USDYH-030	223-60-THSS-480V + VMB-41-SS	4.8	16,382	480	60° Symmetrical	Stainless Steel	Wall	-	3	37	24,22,11
USDYH-031	223-60-THSS-480V + CHWG-223	4.8	16,382	480	60° Symmetrical	Stainless Steel	Ceiling	Guard	3	27	24,22,11
USDYH-032	223-60-THSS-480V	4.8	16,382	480	60° Symmetrical	Stainless Steel	Ceiling	-	3	25	24,22,11
USDYH-033	223-90-THSS-208V + VMB-41-SS + CHWG-223	4.8	16,382	208	90° Symmetrical	Stainless Steel	Wall	Guard	3	39	24,22,11
USDYH-034	223-90-THSS-208V + VMB-41-SS	4.8	16,382	208	90° Symmetrical	Stainless Steel	Wall	-	3	37	24,22,11
USDYH-035	223-90-THSS-208V + CHWG-223	4.8	16,382	208	90° Symmetrical	Stainless Steel	Ceiling	Guard	3	27	24,22,11
USDYH-036	223-90-THSS-208V	4.8	16,382	208	90° Symmetrical	Stainless Steel	Ceiling	-	3	25	24,22,11
USDYH-037	223-90-THSS-240V + VMB-41-SS + CHWG-223	4.8	16,382	240	90° Symmetrical	Stainless Steel	Wall	Guard	3	39	24,22,11
USDYH-038	223-90-THSS-240V + VMB-41-SS	4.8	16,382	240	90° Symmetrical	Stainless Steel	Wall	-	3	37	24,22,11
USDYH-039	223-90-THSS-240V + CHWG-223	4.8	16,382	240	90° Symmetrical	Stainless Steel	Ceiling	Guard	3	27	24,22,11
USDYH-040	223-90-THSS-240V	4.8	16,382	240	90° Symmetrical	Stainless Steel	Ceiling	-	3	25	24,22,11
USDYH-041	223-90-THSS-277V + VMB-41-SS + CHWG-223	4.8	16,382	277	90° Symmetrical	Stainless Steel	Wall	Guard	3	39	24,22,11
USDYH-042	223-90-THSS-277V + VMB-41-SS	4.8	16,382	277	90° Symmetrical	Stainless Steel	Wall	-	3	37	24,22,11
USDYH-043	223-90-THSS-277V + CHWG-223	4.8	16,382	277	90° Symmetrical	Stainless Steel	Ceiling	Guard	3	27	24,22,11
USDYH-044	223-90-THSS-277V	4.8	16,382	277	90° Symmetrical	Stainless Steel	Ceiling	-	3	25	24,22,11
USDYH-045	223-90-THSS-480V + VMB-41-SS + CHWG-223	4.8	16,382	480	90° Symmetrical	Stainless Steel	Wall	Guard	3	39	24,22,11
USDYH-046	223-90-THSS-480V + VMB-41-SS	4.8	16,382	480	90° Symmetrical	Stainless Steel	Wall	-	3	37	24,22,11
USDYH-047	223-90-THSS-480V + CHWG-223	4.8	16,382	480	90° Symmetrical	Stainless Steel	Ceiling	Guard	3	27	24,22,11



THSS Series 3 Lamp
Mul-T-Mount Electric
Infrared Heater Stainless Steel
 Data Sheet

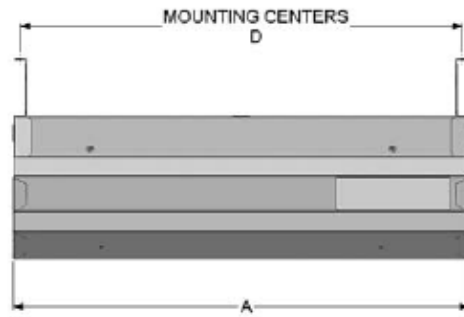
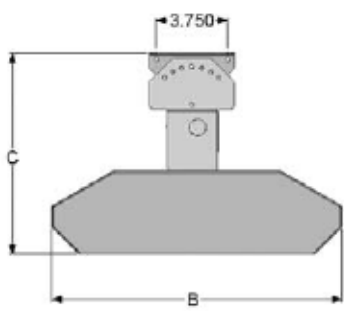
Item #	Manufacturing #	KW	BTU'S	Volts	Reflector Pattern	Color	Mount Type	Guard Options	# of Quartz Lamps Included	Weight and Dimension with Packaging	
										Lbs.	L,W,H In
USDYH-048	223-90-THSS-480V	4.8	16,382	480	90° Symmetrical	Stainless Steel	Ceiling	-	3	25	24,22,11
USDYH-049	343-30-THSS-208V + VMB-41-SS + CHWG-343	7.5	25,298	208	30° Symmetrical	Stainless Steel	Wall	Guard	3	47	33,22,11
USDYH-050	343-30-THSS-208V + VMB-41-SS	7.5	25,298	208	30° Symmetrical	Stainless Steel	Wall	-	3	45	33,22,11
USDYH-051	343-30-THSS-208V + CHWG-343	7.5	25,298	208	30° Symmetrical	Stainless Steel	Ceiling	Guard	3	35	33,22,11
USDYH-052	343-30-THSS-208V	7.5	25,298	208	30° Symmetrical	Stainless Steel	Ceiling	-	3	33	33,22,11
USDYH-053	343-30-THSS-240V + VMB-41-SS + CHWG-343	7.5	25,298	240	30° Symmetrical	Stainless Steel	Wall	Guard	3	47	33,22,11
USDYH-054	343-30-THSS-240V + VMB-41-SS	7.5	25,298	240	30° Symmetrical	Stainless Steel	Wall	-	3	45	33,22,11
USDYH-055	343-30-THSS-240V + CHWG-343	7.5	25,298	240	30° Symmetrical	Stainless Steel	Ceiling	Guard	3	35	33,22,11
USDYH-056	343-30-THSS-240V	7.5	25,298	240	30° Symmetrical	Stainless Steel	Ceiling	-	3	33	33,22,11
USDYH-057	343-30-THSS-480V + VMB-41-SS + CHWG-343	7.5	25,298	480	30° Symmetrical	Stainless Steel	Wall	Guard	3	47	33,22,11
USDYH-058	343-30-THSS-480V + VMB-41-SS	7.5	25,298	480	30° Symmetrical	Stainless Steel	Wall	-	3	45	33,22,11
USDYH-059	343-30-THSS-480V + CHWG-343	7.5	25,298	480	30° Symmetrical	Stainless Steel	Ceiling	Guard	3	35	33,22,11
USDYH-060	343-30-THSS-480V	7.5	25,298	480	30° Symmetrical	Stainless Steel	Ceiling	-	3	33	33,22,11
USDYH-061	343-60-THSS-208V + VMB-41-SS + CHWG-343	7.5	25,298	208	60° Symmetrical	Stainless Steel	Wall	Guard	3	47	33,22,11
USDYH-062	343-60-THSS-208V + VMB-41-SS	7.5	25,298	208	60° Symmetrical	Stainless Steel	Wall	-	3	45	33,22,11
USDYH-063	343-60-THSS-208V + CHWG-343	7.5	25,298	208	60° Symmetrical	Stainless Steel	Ceiling	Guard	3	35	33,22,11
USDYH-064	343-60-THSS-208V	7.5	25,298	208	60° Symmetrical	Stainless Steel	Ceiling	-	3	33	33,22,11
USDYH-065	343-60-THSS-240V + VMB-41-SS + CHWG-343	7.5	25,298	240	60° Symmetrical	Stainless Steel	Wall	Guard	3	47	33,22,11
USDYH-066	343-60-THSS-240V + VMB-41-SS	7.5	25,298	240	60° Symmetrical	Stainless Steel	Wall	-	3	45	33,22,11
USDYH-067	343-60-THSS-240V + CHWG-343	7.5	25,298	240	60° Symmetrical	Stainless Steel	Ceiling	Guard	3	35	33,22,11
USDYH-068	343-60-THSS-240V	7.5	25,298	240	60° Symmetrical	Stainless Steel	Ceiling	-	3	33	33,22,11
USDYH-069	343-60-THSS-480V + VMB-41-SS + CHWG-343	7.5	25,298	480	60° Symmetrical	Stainless Steel	Wall	Guard	3	47	33,22,11
USDYH-070	343-60-THSS-480V + VMB-41-SS	7.5	25,298	480	60° Symmetrical	Stainless Steel	Wall	-	3	45	33,22,11
USDYH-071	343-60-THSS-480V + CHWG-343	7.5	25,298	480	60° Symmetrical	Stainless Steel	Ceiling	Guard	3	35	33,22,11
USDYH-072	343-60-THSS-480V	7.5	25,298	480	60° Symmetrical	Stainless Steel	Ceiling	-	3	33	33,22,11
USDYH-073	343-90-THSS-208V + VMB-41-SS + CHWG-343	7.5	25,298	208	90° Symmetrical	Stainless Steel	Wall	Guard	3	47	33,22,11
USDYH-074	343-90-THSS-208V + VMB-41-SS	7.5	25,298	208	90° Symmetrical	Stainless Steel	Wall	-	3	45	33,22,11
USDYH-075	343-90-THSS-208V + CHWG-343	7.5	25,298	208	90° Symmetrical	Stainless Steel	Ceiling	Guard	3	35	33,22,11
USDYH-076	343-90-THSS-208V	7.5	25,298	208	90° Symmetrical	Stainless Steel	Ceiling	-	3	33	33,22,11
USDYH-077	343-90-THSS-240V + VMB-41-SS + CHWG-343	7.5	25,298	240	90° Symmetrical	Stainless Steel	Wall	Guard	3	47	33,22,11
USDYH-078	343-90-THSS-240V + VMB-41-SS	7.5	25,298	240	90° Symmetrical	Stainless Steel	Wall	-	3	45	33,22,11
USDYH-079	343-90-THSS-240V + CHWG-343	7.5	25,298	240	90° Symmetrical	Stainless Steel	Ceiling	Guard	3	35	33,22,11
USDYH-080	343-90-THSS-240V	7.5	25,298	240	90° Symmetrical	Stainless Steel	Ceiling	-	3	33	33,22,11
USDYH-081	343-90-THSS-480V + VMB-41-SS + CHWG-343	7.5	25,298	480	90° Symmetrical	Stainless Steel	Wall	Guard	3	47	33,22,11
USDYH-082	343-90-THSS-480V + VMB-41-SS	7.5	25,298	480	90° Symmetrical	Stainless Steel	Wall	-	3	45	33,22,11
USDYH-083	343-90-THSS-480V + CHWG-343	7.5	25,298	480	90° Symmetrical	Stainless Steel	Ceiling	Guard	3	35	33,22,11
USDYH-084	343-90-THSS-480V	7.5	25,298	480	90° Symmetrical	Stainless Steel	Ceiling	-	3	33	33,22,11
USDYH-085	463-30-THSS-480V + VMB-41-SS + CHWG-463	10.95	37,372	480	30° Symmetrical	Stainless Steel	Wall	Guard	3	55	46,22,11
USDYH-086	463-30-THSS-480V + VMB-41-SS	10.95	37,372	480	30° Symmetrical	Stainless Steel	Wall	-	3	53	46,22,11
USDYH-087	463-30-THSS-480V + CHWG-463	10.95	37,372	480	30° Symmetrical	Stainless Steel	Ceiling	Guard	3	43	46,22,11
USDYH-088	463-30-THSS-480V	10.95	37,372	480	30° Symmetrical	Stainless Steel	Ceiling	-	3	41	46,22,11
USDYH-089	463-60-THSS-480V + VMB-41-SS + CHWG-463	10.95	37,372	480	60° Symmetrical	Stainless Steel	Wall	Guard	3	55	46,22,11
USDYH-090	463-60-THSS-480V + VMB-41-SS	10.95	37,372	480	60° Symmetrical	Stainless Steel	Wall	-	3	53	46,22,11
USDYH-091	463-60-THSS-480V + CHWG-463	10.95	37,372	480	60° Symmetrical	Stainless Steel	Ceiling	Guard	3	43	46,22,11
USDYH-092	463-60-THSS-480V	10.95	37,372	480	60° Symmetrical	Stainless Steel	Ceiling	-	3	41	46,22,11



Item #	Manufacturing #	KW	BTU'S	Volts	Reflector Pattern	Color	Mount Type	Guard Options	# of Quartz Lamps Included	Weight and Dimension with Packaging	
										Lbs.	L,W,H In
USDYH-093	463-90-THSS-480V + VMB-41-SS + CHWG-463	10.95	37,372	480	90° Symmetrical	Stainless Steel	Wall	Guard	3	55	46,22,11
USDYH-094	463-90-THSS-480V + VMB-41-SS	10.95	37,372	480	90° Symmetrical	Stainless Steel	Wall	-	3	53	46,22,11
USDYH-095	463-90-THSS-480V + CHWG-463	10.95	37,372	480	90° Symmetrical	Stainless Steel	Ceiling	Guard	3	43	46,22,11
USDYH-096	463-90-THSS-480V	10.95	37,372	480	90° Symmetrical	Stainless Steel	Ceiling	-	3	41	46,22,11

Dimensions (in) of Industrial Infrared Heater THSS Series 3 Lamp

Series	Length A	Width B	Height C	Mounting Center D
USDYH-001 to 048	24"	21 1/2"	10 7/8"	23 1/2"
USDYH -049 to 084	33"	21 1/2"	10 7/8"	34"
USDYH -085 to 096	46"	21 1/2"	10 7/8"	45 1/2"



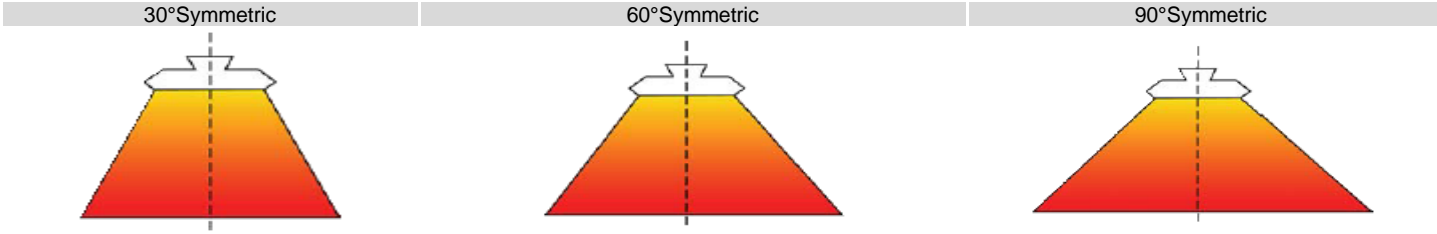
Mounting Clearance Requirements of Industrial Infrared Heater THSS Series 3 Lamp

3-Lamp Models	3" from ceiling
3-Lamp Models	24" from vertical surface
3-Lamp Models	96" from face of heater to combustible surface

Recommended Mounting Heights of Industrial Infrared Heater THSS Series 3 Lamp

30° Symmetric Reflector- Indoor:	14-30'
60° Symmetric Reflector- Indoor:	12-18'
90° Symmetric Reflector- Indoor:	8-12'
30° Symmetric Reflector- Outdoor:	8-10'

Reflector Patterns of Industrial Infrared Heater THSS Series 3 Lamp





Reflective Pattern (°)	Heater Output (kW)	# of Qtz. Lamps	Mounting Heights (FT.)							Watts Delivered per Square Foot						
			8	10	12	14	16	18	20	Mounting Heights (FT.)						
			Heat Pattern Coverage @ Floor Level							8	10	12	14	16	18	20
			L X W	L X W	L X W	L X W	L X W	L X W	L X W							
30°	4.8	3 – Quartz Lamps Heaters	5.5 x 5	6.5 x 6.5	7.5 x 7.5	8.5 x 8.5	9.5 x 9.5	10.5 x 10.5	11.5 x 11.5	174.5	113.6	85.3	66.4	53.2	43.5	36.3
60°	4.8		10.5 x 10.5	13 x 13	15 x 15	17 x 17	21 x 21	N/R	N/R	43.5	28.4	21.3	16.6	10.9	-	-
90°	4.8		17 x 17	21 x 21	N/R	N/R	N/R			16.6	10.9	-	-	-	-	-
30°	7.5		N/R	7.5 x 6.5	8.5 x 7.5	9.5 x 8.5	10.5 x 9.5	11.5 x 10.5	12.5 x 11.5	-	153.8	117.6	92.9	75.2	62.1	52.2
60°	7.5		11.5 x 10.5	14 x 13	16 x 15	18 x 17	20.5 x 19.5	23 x 22	N/R	62.1	41.2	31.3	24.5	18.8	14.8	-
90°	7.5		18 x 17	22 x 21	26 x 25	N/R	N/R	N/R		24.5	16.2	11.5	-	-	-	-
30°	10.95		N/R	8.5 x 6.5	9.5 x 7.5	10.5 x 8.5	11.5 x 9.5	12.5 x 10.5	13.5 x 11.5	-	198.2	153.7	122.7	100.2	83.4	70.5
60°	10.95		12 x 11	15 x 13	17 x 15	19 x 17	21.5 x 19.5	24 x 22	N/R	83.0	56.2	42.9	33.9	26.1	20.7	-
90°	10.95		19 x 17	23 x 21	27 x 25	N/R	N/R	N/R	N/R	33.9	22.7	16.2	-	-	-	-

Clear & Red Quartz Lamps of Industrial Infrared Heater THSS Series 3 Lamp

- 3/8" Diameter clear or red quartz enveloped. All Red Quartz Lamps and Red Vycor Sleeves quoted separately.
- Coiled tungsten filament; sealed porcelain end cap; halogen gas filled
- Color temperature emitted: approx. 4100°F (high brightness)
- Approximately 96% radiant efficiency
- Excellent resistance to thermal shock

New Feature of Industrial Infrared Heater THSS Series 3 Lamp

- In-Built surface mounting brackets allows for fixture adjustment up to 45° horizontal tilt, as shown with the illustration below:

