

General Characteristics of Slope Roof Mounting Base StainlessSteel

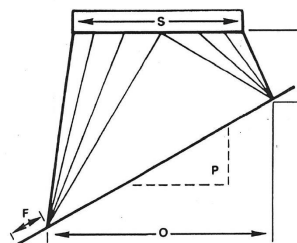
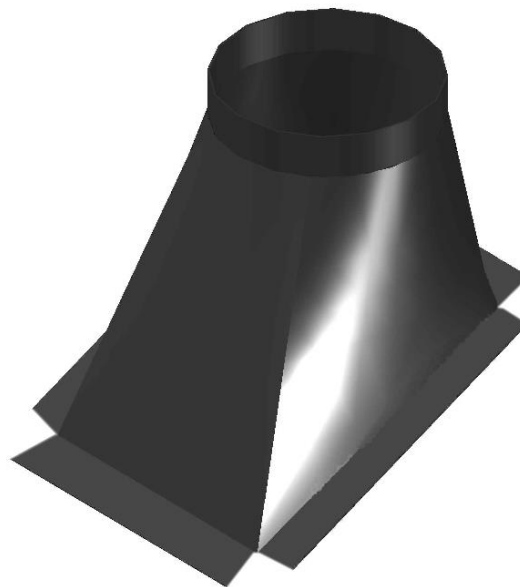
The StainlessSteel is an StainlessSteel made Slope base made for StainlessSteel turbines.
 Installed properly the Slope bases will stop the turbines from leaking water.
 Perfect for Ventilation, Cooling and the extraction of fumes, dust, smoke, pollen or gases etc.
 The StainlessSteel bases are made from sheet StainlessSteel, with excellent manufacturing detail.
 The StainlessSteel bases for the turbines, allow them to operate Correctly and more efficiently.
 All turbines and bases must be leveled horizontally for them to work properly and have proper air flow.
 When ordering the StainlessSteel the pitch will need to be supplied by Customer.
 For Industrial, Commercial, and Residential use.

Product Applications of Slope Roof Mounting Base StainlessSteel

These bases are used with our Turbine Vents for ventilation in small, medium, and large areas, bathrooms, warehouses, factories, Commercial buildings, and all large ventilation projects.

Warranties of Slope Roof Mounting Base StainlessSteel

Manufacturer's Limited Warranty: 10 Years, void with Tornados, Hurricanes, Chimneys, and Chemical Destruction



Specific characteristics of Slope Roof Mounting Base StainlessSteel

Item #	Manufacturing #	Diameter (S) In.	Pitch	Material	Base Height (H) In.	Roof Opening (O) In.	Flange (F) In.	Weight and Dimension with Packaging	
								Lbs.	L,W,H In.
USSTL-001	SB04SSU-01/12	4	1/12	StainlessSteel	10	6x6	4	7	6,6,13
USSTL-002	SB04SSU-02/12	4	2/12	StainlessSteel	10	6x6	4	7	6,6,13
USSTL-003	SB04SSU-03/12	4	3/12	StainlessSteel	10	6x6	4	7	6,6,14
USSTL-004	SB04SSU-04/12	4	4/12	StainlessSteel	10	6x6	4	7	6,6,14
USSTL-005	SB04SSU-05/12	4	5/12	StainlessSteel	10	6x6	4	7	6,6,15
USSTL-006	SB04SSU-06/12	4	6/12	StainlessSteel	10	6x6	4	7	6,6,15
USSTL-007	SB04SSU-07/12	4	7/12	StainlessSteel	10	6x6	4	7	6,6,16
USSTL-008	SB04SSU-08/12	4	8/12	StainlessSteel	10	6x6	4	7	6,6,16
USSTL-009	SB04SSU-09/12	4	9/12	StainlessSteel	10	6x6	4	7	6,6,17
USSTL-010	SB04SSU-10/12	4	10/12	StainlessSteel	10	6x6	4	7	6,6,17
USSTL-011	SB04SSU-11/12	4	11/12	StainlessSteel	10	6x6	4	7	6,6,18
USSTL-012	SB04SSU-12/12	4	12/12	StainlessSteel	10	6x6	4	7	6,6,18
USSTL-013	SB05SSU-01/12	5	1/12	StainlessSteel	10	8x8	4	9	8,8,13
USSTL-014	SB05SSU-02/12	5	2/12	StainlessSteel	10	8x8	4	9	8,8,13

StainlessSteel
Slope Roof Mounting Base
 Data Sheet

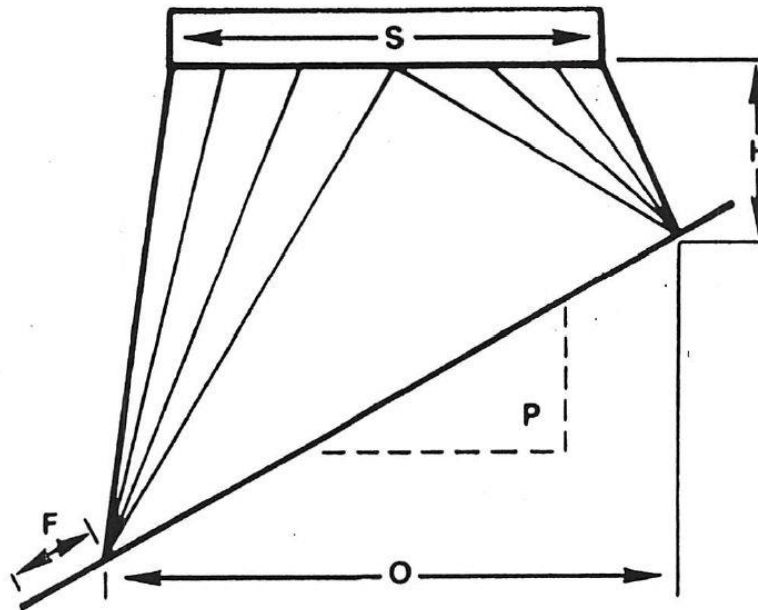
Item #	Manufacturing #	Diameter (S) In.	Pitch	Material	Base Height (H) In.	Roof Opening (O) In.	Flange (F) In.	Weight and Dimension with Packaging	
								Lbs.	L,W,H In.
USSTL-015	SB05SSU-03/12	5	3/12	StainlessSteel	10	8x8	4	9	8,8,14
USSTL-016	SB05SSU-04/12	5	4/12	StainlessSteel	10	8x8	4	9	8,8,14
USSTL-017	SB05SSU-05/12	5	5/12	StainlessSteel	10	8x8	4	9	8,8,15
USSTL-018	SB05SSU-06/12	5	6/12	StainlessSteel	10	8x8	4	9	8,8,16
USSTL-019	SB05SSO-07/12	5	7/12	StainlessSteel	10	8x8	4	9	8,8,17
USSTL-020	SB05SSO-08/12	5	8/12	StainlessSteel	10	8x8	4	9	8,8,17
USSTL-021	SB05SSO-09/12	5	9/12	StainlessSteel	10	8x8	4	9	8,8,18
USSTL-022	SB05SSO-10/12	5	10/12	StainlessSteel	10	8x8	4	9	8,8,19
USSTL-023	SB05SSO-11/12	5	11/12	StainlessSteel	10	8x8	4	9	8,8,19
USSTL-024	SB05SSO-12/12	5	12/12	StainlessSteel	10	8x8	4	9	8,8,20
USSTL-025	SB06SSU-01/12	6	1/12	StainlessSteel	10	8x8	4	9	8,8,13
USSTL-026	SB06SSU-02/12	6	2/12	StainlessSteel	10	8x8	4	9	8,8,13
USSTL-027	SB06SSU-03/12	6	3/12	StainlessSteel	10	8x8	4	9	8,8,14
USSTL-028	SB06SSU-04/12	6	4/12	StainlessSteel	10	8x8	4	9	8,8,15
USSTL-029	SB06SSU-05/12	6	5/12	StainlessSteel	10	8x8	4	9	8,8,15
USSTL-030	SB06SSU-06/12	6	6/12	StainlessSteel	10	8x8	4	9	8,8,16
USSTL-031	SB06SSO-07/12	6	7/12	StainlessSteel	10	8x8	4	9	8,8,17
USSTL-032	SB06SSO-08/12	6	8/12	StainlessSteel	10	8x8	4	9	8,8,17
USSTL-033	SB06SSO-09/12	6	9/12	StainlessSteel	10	8x8	4	9	8,8,18
USSTL-034	SB06SSO-10/12	6	10/12	StainlessSteel	10	8x8	4	9	8,8,19
USSTL-035	SB06SSO-11/12	6	11/12	StainlessSteel	10	8x8	4	9	8,8,19
USSTL-036	SB06SSO-12/12	6	12/12	StainlessSteel	10	8x8	4	9	8,8,20
USSTL-037	SB07SSU-01/12	7	1/12	StainlessSteel	10	10x10	4	10	10,10,13
USSTL-038	SB07SSU-02/12	7	2/12	StainlessSteel	10	10x10	4	10	10,10,14
USSTL-039	SB07SSU-03/12	7	3/12	StainlessSteel	10	10x10	4	10	10,10,15
USSTL-040	SB07SSU-04/12	7	4/12	StainlessSteel	10	10x10	4	10	10,10,15
USSTL-041	SB07SSU-05/12	7	5/12	StainlessSteel	10	10x10	4	10	10,10,16
USSTL-042	SB07SSU-06/12	7	6/12	StainlessSteel	10	10x10	4	10	10,10,17
USSTL-043	SB07SSO-07/12	7	7/12	StainlessSteel	10	10x10	4	10	10,10,18
USSTL-044	SB07SSO-08/12	7	8/12	StainlessSteel	10	10x10	4	10	10,10,19
USSTL-045	SB07SSO-09/12	7	9/12	StainlessSteel	10	10x10	4	10	10,10,20
USSTL-046	SB07SSO-10/12	7	10/12	StainlessSteel	10	10x10	4	10	10,10,20
USSTL-047	SB07SSO-11/12	7	11/12	StainlessSteel	10	10x10	4	10	10,10,21
USSTL-048	SB07SSO-12/12	7	12/12	StainlessSteel	10	10x10	4	10	10,10,22
USSTL-049	SB08SSU-01/12	8	1/12	StainlessSteel	10	10x10	4	10	10,10,13
USSTL-050	SB08SSU-02/12	8	2/12	StainlessSteel	10	10x10	4	10	10,10,14
USSTL-051	SB08SSU-03/12	8	3/12	StainlessSteel	10	10x10	4	10	10,10,15
USSTL-052	SB08SSU-04/12	8	4/12	StainlessSteel	10	10x10	4	10	10,10,15
USSTL-053	SB08SSU-05/12	8	5/12	StainlessSteel	10	10x10	4	10	10,10,16
USSTL-054	SB08SSU-06/12	8	6/12	StainlessSteel	10	10x10	4	10	10,10,17
USSTL-055	SB08SSO-07/12	8	7/12	StainlessSteel	10	10x10	4	10	10,10,18
USSTL-056	SB08SSO-08/12	8	8/12	StainlessSteel	10	10x10	4	10	10,10,19
USSTL-057	SB08SSO-09/12	8	9/12	StainlessSteel	10	10x10	4	10	10,10,20
USSTL-058	SB08SSO-10/12	8	10/12	StainlessSteel	10	10x10	4	10	10,10,20
USSTL-059	SB08SSO-11/12	8	11/12	StainlessSteel	10	10x10	4	10	10,10,21
USSTL-060	SB08SSO-12/12	8	12/12	StainlessSteel	10	10x10	4	10	10,10,22

StainlessSteel
Slope Roof Mounting Base
 Data Sheet

Item #	Manufacturing #	Diameter (S) In.	Pitch	Material	Base Height (H) In.	Roof Opening (O) In.	Flange (F) In.	Weight and Dimension with Packaging	
								Lbs.	L,W,H In.
USSTL-061	SB09SSU-01/12	9	1/12	StainlessSteel	10	12x12	4	13	12,12,13
USSTL-062	SB09SSU-02/12	9	2/12	StainlessSteel	10	12x12	4	13	12,12,14
USSTL-063	SB09SSU-03/12	9	3/12	StainlessSteel	10	12x12	4	13	12,12,15
USSTL-064	SB09SSU-04/12	9	4/12	StainlessSteel	10	12x12	4	13	12,12,16
USSTL-065	SB09SSU-05/12	9	5/12	StainlessSteel	10	12x12	4	13	12,12,17
USSTL-066	SB09SSU-06/12	9	6/12	StainlessSteel	10	12x12	4	13	12,12,18
USSTL-067	SB09SSO-07/12	9	7/12	StainlessSteel	10	12x12	4	13	12,12,19
USSTL-068	SB09SSO-08/12	9	8/12	StainlessSteel	10	12x12	4	13	12,12,20
USSTL-069	SB09SSO-09/12	9	9/12	StainlessSteel	10	12x12	4	13	12,12,21
USSTL-070	SB09SSO-10/12	9	10/12	StainlessSteel	10	12x12	4	13	12,12,22
USSTL-071	SB09SSO-11/12	9	11/12	StainlessSteel	10	12x12	4	13	12,12,23
USSTL-072	SB09SSO-12/12	9	12/12	StainlessSteel	10	12x12	4	13	12,12,24
USSTL-073	SB10SSU-01/12	10	1/12	StainlessSteel	10	12x12	4	13	12,12,13
USSTL-074	SB10SSU-02/12	10	2/12	StainlessSteel	10	12x12	4	13	12,12,14
USSTL-075	SB10SSU-03/12	10	3/12	StainlessSteel	10	12x12	4	13	12,12,15
USSTL-076	SB10SSU-04/12	10	4/12	StainlessSteel	10	12x12	4	13	12,12,16
USSTL-077	SB10SSU-05/12	10	5/12	StainlessSteel	10	12x12	4	13	12,12,17
USSTL-078	SB10SSU-06/12	10	6/12	StainlessSteel	10	12x12	4	13	12,12,18
USSTL-079	SB10SSO-07/12	10	7/12	StainlessSteel	10	12x12	4	13	12,12,19
USSTL-080	SB10SSO-08/12	10	8/12	StainlessSteel	10	12x12	4	13	12,12,20
USSTL-081	SB10SSO-09/12	10	9/12	StainlessSteel	10	12x12	4	13	12,12,21
USSTL-082	SB10SSO-10/12	10	10/12	StainlessSteel	10	12x12	4	13	12,12,22
USSTL-083	SB10SSO-11/12	10	11/12	StainlessSteel	10	12x12	4	13	12,12,23
USSTL-084	SB10SSO-12/12	10	12/12	StainlessSteel	10	12x12	4	13	12,12,24
USSTL-085	SB12SSU-01/12	12	1/12	StainlessSteel	10	14x14	4	15	14,14,13
USSTL-086	SB12SSU-02/12	12	2/12	StainlessSteel	10	14x14	4	15	14,14,14
USSTL-087	SB12SSU-03/12	12	3/12	StainlessSteel	10	14x14	4	15	14,14,16
USSTL-088	SB12SSU-04/12	12	4/12	StainlessSteel	10	14x14	4	15	14,14,17
USSTL-089	SB12SSU-05/12	12	5/12	StainlessSteel	10	14x14	4	15	14,14,18
USSTL-090	SB12SSU-06/12	12	6/12	StainlessSteel	10	14x14	4	15	14,14,18
USSTL-091	SB12SSO-07/12	12	7/12	StainlessSteel	10	14x14	4	15	14,14,20
USSTL-092	SB12SSO-08/12	12	8/12	StainlessSteel	10	14x14	4	15	14,14,21
USSTL-093	SB12SSO-09/12	12	9/12	StainlessSteel	10	14x14	4	15	14,14,23
USSTL-094	SB12SSO-10/12	12	10/12	StainlessSteel	10	14x14	4	15	14,14,24
USSTL-095	SB12SSO-11/12	12	11/12	StainlessSteel	10	14x14	4	15	14,14,25
USSTL-096	SB12SSO-12/12	12	12/12	StainlessSteel	10	14x14	4	15	14,14,26
USSTL-097	SB14SSU-01/12	14	1/12	StainlessSteel	10	16x16	4	23	16,16,13
USSTL-098	SB14SSU-02/12	14	2/12	StainlessSteel	10	16x16	4	23	16,16,15
USSTL-099	SB14SSU-03/12	14	3/12	StainlessSteel	10	16x16	4	23	16,16,16
USSTL-100	SB14SSU-04/12	14	4/12	StainlessSteel	10	16x16	4	23	16,16,17
USSTL-101	SB14SSU-05/12	14	5/12	StainlessSteel	10	16x16	4	23	16,16,19
USSTL-102	SB14SSU-06/12	14	6/12	StainlessSteel	10	16x16	4	23	16,16,20
USSTL-103	SB14SSO-07/12	14	7/12	StainlessSteel	10	16x16	4	23	16,16,21
USSTL-104	SB14SSO-08/12	14	8/12	StainlessSteel	10	16x16	4	23	16,16,23
USSTL-105	SB14SSO-09/12	14	9/12	StainlessSteel	10	16x16	4	23	16,16,24

Item #	Manufacturing #	Diameter (S) In.	Pitch	Material	Base Height (H) In.	Roof Opening (O) In.	Flange (F) In.	Weight and Dimension with Packaging	
								Lbs.	L,W,H In.
USSTL-106	SB14SSO-10/12	14	10/12	StainlessSteel	10	16x16	4	23	16,16,25
USSTL-107	SB14SSO-11/12	14	11/12	StainlessSteel	10	16x16	4	23	16,16,27
USSTL-108	SB14SSO-12/12	14	12/12	StainlessSteel	10	16x16	4	23	16,16,28
USSTL-109	SB16SSU-01/12	16	1/12	StainlessSteel	10	18x18	4	33	18,18,14
USSTL-110	SB16SSU-02/12	16	2/12	StainlessSteel	10	18x18	4	33	18,18,15
USSTL-111	SB16SSU-03/12	16	3/12	StainlessSteel	10	18x18	4	33	18,18,17
USSTL-112	SB16SSU-04/12	16	4/12	StainlessSteel	10	18x18	4	33	18,18,18
USSTL-113	SB16SSU-05/12	16	5/12	StainlessSteel	10	18x18	4	33	18,18,20
USSTL-114	SB16SSU-06/12	16	6/12	StainlessSteel	10	18x18	4	33	18,18,21
USSTL-115	SB16SSO-07/12	15	7/12	StainlessSteel	10	18x18	4	33	18,18,23
USSTL-116	SB16SSO-08/12	15	8/12	StainlessSteel	10	18x18	4	33	18,18,24
USSTL-117	SB16SSO-09/12	15	9/12	StainlessSteel	10	18x18	4	33	18,18,26
USSTL-118	SB16SSO-10/12	15	10/12	StainlessSteel	10	18x18	4	33	18,18,27
USSTL-119	SB16SSO-11/12	15	11/12	StainlessSteel	10	18x18	4	33	18,18,29
USSTL-120	SB16SSO-12/12	15	12/12	StainlessSteel	10	18x18	4	33	18,18,30
USSTL-121	SB18SSU-01/12	18	1/12	StainlessSteel	10	22x22	4	40	22,22,14
USSTL-122	SB18SSU-02/12	18	2/12	StainlessSteel	10	22x22	4	40	22,22,16
USSTL-123	SB18SSU-03/12	18	3/12	StainlessSteel	10	22x22	4	40	22,22,18
USSTL-124	SB18SSU-04/12	18	4/12	StainlessSteel	10	22x22	4	40	22,22,19
USSTL-125	SB18SSU-05/12	18	5/12	StainlessSteel	10	22x22	4	40	22,22,21
USSTL-126	SB18SSU-06/12	18	6/12	StainlessSteel	10	22x22	4	40	22,22,23
USSTL-127	SB18SSO-07/12	18	7/12	StainlessSteel	10	22x22	4	40	22,22,25
USSTL-128	SB18SSO-08/12	18	8/12	StainlessSteel	10	22x22	4	40	22,22,27
USSTL-129	SB18SSO-09/12	18	9/12	StainlessSteel	10	22x22	4	40	22,22,29
USSTL-130	SB18SSO-10/12	18	10/12	StainlessSteel	10	22x22	4	40	22,22,30
USSTL-131	SB18SSO-11/12	18	11/12	StainlessSteel	10	22x22	4	40	22,22,32
USSTL-132	SB18SSO-12/12	18	12/12	StainlessSteel	10	22x22	4	40	22,22,34
USSTL-133	SB20SSU-01/12	20	1/12	StainlessSteel	10	24x24	4	48	24,24,14
USSTL-134	SB20SSU-02/12	20	2/12	StainlessSteel	10	24x24	4	48	24,24,16
USSTL-135	SB20SSU-03/12	20	3/12	StainlessSteel	10	24x24	4	48	24,24,18
USSTL-136	SB20SSU-04/12	20	4/12	StainlessSteel	10	24x24	4	48	24,24,20
USSTL-137	SB20SSU-05/12	20	5/12	StainlessSteel	10	24x24	4	48	24,24,22
USSTL-138	SB20SSU-06/12	20	6/12	StainlessSteel	10	24x24	4	48	24,24,24
USSTL-139	SB20SSO-07/12	20	7/12	StainlessSteel	10	24x24	4	48	24,24,26
USSTL-140	SB20SSO-08/12	20	8/12	StainlessSteel	10	24x24	4	48	24,24,28
USSTL-141	SB20SSO-09/12	20	9/12	StainlessSteel	10	24x24	4	48	24,24,30
USSTL-142	SB20SSO-10/12	20	10/12	StainlessSteel	10	24x24	4	48	24,24,32
USSTL-143	SB20SSO-11/12	20	11/12	StainlessSteel	10	24x24	4	48	24,24,34
USSTL-144	SB20SSO-12/12	20	12/12	StainlessSteel	10	24x24	4	48	24,24,36
USSTL-145	SB24SSU-01/12	24	1/12	StainlessSteel	12	30x30	4	60	30,30,15
USSTL-146	SB24SSU-02/12	24	2/12	StainlessSteel	12	30x30	4	60	30,30,17
USSTL-147	SB24SSU-03/12	24	3/12	StainlessSteel	12	30x30	4	60	30,30,20
USSTL-148	SB24SSU-04/12	24	4/12	StainlessSteel	12	30x30	4	60	30,30,22
USSTL-149	SB24SSU-05/12	24	5/12	StainlessSteel	12	30x30	4	60	30,30,25
USSTL-150	SB24SSU-06/12	24	6/12	StainlessSteel	12	30x30	4	60	30,30,27

Item #	Manufacturing #	Diameter (S) In.	Pitch	Material	Base Height (H) In.	Roof Opening (O) In.	Flange (F) In.	Weight and Dimension with Packaging	
								Lbs.	L,W,H In.
USSTL-151	SB24SSO-07/12	24	7/12	StainlessSteel	12	30x30	4	60	30,30,30
USSTL-152	SB24SSO-08/12	24	8/12	StainlessSteel	12	30x30	4	60	30,30,32
USSTL-153	SB24SSO-09/12	24	9/12	StainlessSteel	12	30x30	4	60	30,30,35
USSTL-154	SB24SSO-10/12	24	10/12	StainlessSteel	12	30x30	4	60	30,30,37
USSTL-155	SB24SSO-11/12	24	11/12	StainlessSteel	12	30x30	4	60	30,30,40
USSTL-156	SB24SSO-12/12	24	12/12	StainlessSteel	12	30x30	4	60	30,30,42
USSTL-157	SB30SSU-01/12	30	1/12	StainlessSteel	12	36x36	4	72	36,36,15
USSTL-158	SB30SSU-02/12	30	2/12	StainlessSteel	12	36x36	4	72	36,36,18
USSTL-159	SB30SSU-03/12	30	3/12	StainlessSteel	12	36x36	4	72	36,36,21
USSTL-160	SB30SSU-04/12	30	4/12	StainlessSteel	12	36x36	4	72	36,36,24
USSTL-161	SB30SSU-05/12	30	5/12	StainlessSteel	12	36x36	4	72	36,36,27
USSTL-162	SB30SSU-06/12	30	6/12	StainlessSteel	12	36x36	4	72	36,36,30
USSTL-163	SB30SSO-07/12	30	7/12	StainlessSteel	12	36x36	4	72	36,36,33
USSTL-164	SB30SSO-08/12	30	8/12	StainlessSteel	12	36x36	4	72	36,36,36
USSTL-165	SB30SSO-09/12	30	9/12	StainlessSteel	12	36x36	4	72	36,36,39
USSTL-166	SB30SSO-10/12	30	10/12	StainlessSteel	12	36x36	4	72	36,36,42
USSTL-167	SB30SSO-11/12	30	11/12	StainlessSteel	12	36x36	4	72	36,36,45
USSTL-168	SB30SSO-12/12	30	12/12	StainlessSteel	12	36x36	4	72	36,36,48



Short Description of Slope Roof Mounting Base StainlessSteel

Item #	Manufacturing #	Short Description 300 Characters Maximum
		012345678901234567890123456789012345678901234567890123456789
USSTL-001	SB04SSU-01/12	Ø4" Slope Base Diameter in Stainless Steel, Base Height 10", Flange 4", Roof Opening 6"x6", Pitch 1/12.
USSTL-002	SB04SSU-02/12	Ø4" Slope Base Diameter in Stainless Steel, Base Height 10", Flange 4", Roof Opening 6"x6", Pitch 2/12.
USSTL-003	SB04SSU-03/12	Ø4" Slope Base Diameter in Stainless Steel, Base Height 10", Flange 4", Roof Opening 6"x6", Pitch 3/12.
USSTL-004	SB04SSU-04/12	Ø4" Slope Base Diameter in Stainless Steel, Base Height 10", Flange 4", Roof Opening 6"x6", Pitch 4/12.
USSTL-005	SB04SSU-05/12	Ø4" Slope Base Diameter in Stainless Steel, Base Height 10", Flange 4", Roof Opening 6"x6", Pitch 5/12.
USSTL-006	SB04SSU-06/12	Ø4" Slope Base Diameter in Stainless Steel, Base Height 10", Flange 4", Roof Opening 6"x6", Pitch 6/12.
USSTL-007	SB04SSU-07/12	Ø4" Slope Base Diameter in Stainless Steel, Base Height 10", Flange 4", Roof Opening 6"x6", Pitch 7/12.
USSTL-008	SB04SSU-08/12	Ø4" Slope Base Diameter in Stainless Steel, Base Height 10", Flange 4", Roof Opening 6"x6", Pitch 8/12.
USSTL-009	SB04SSU-09/12	Ø4" Slope Base Diameter in Stainless Steel, Base Height 10", Flange 4", Roof Opening 6"x6", Pitch 9/12.
USSTL-010	SB04SSU-10/12	Ø4" Slope Base Diameter in Stainless Steel, Base Height 10", Flange 4", Roof Opening 6"x6", Pitch 10/12.
USSTL-011	SB04SSU-11/12	Ø4" Slope Base Diameter in Stainless Steel, Base Height 10", Flange 4", Roof Opening 6"x6", Pitch 11/12.
USSTL-012	SB04SSU-12/12	Ø4" Slope Base Diameter in Stainless Steel, Base Height 10", Flange 4", Roof Opening 6"x6", Pitch 12/12.
USSTL-013	SB05SSU-01/12	Ø5" Slope Base Diameter in Stainless Steel, Base Height 10", Flange 4", Roof Opening 8"x8", Pitch 1/12.
USSTL-014	SB05SSU-02/12	Ø5" Slope Base Diameter in Stainless Steel, Base Height 10", Flange 4", Roof Opening 8"x8", Pitch 2/12.
USSTL-015	SB05SSU-03/12	Ø5" Slope Base Diameter in Stainless Steel, Base Height 10", Flange 4", Roof Opening 8"x8", Pitch 3/12.
USSTL-016	SB05SSU-04/12	Ø5" Slope Base Diameter in Stainless Steel, Base Height 10", Flange 4", Roof Opening 8"x8", Pitch 4/12.
USSTL-017	SB05SSU-05/12	Ø5" Slope Base Diameter in Stainless Steel, Base Height 10", Flange 4", Roof Opening 8"x8", Pitch 5/12.
USSTL-018	SB05SSU-06/12	Ø5" Slope Base Diameter in Stainless Steel, Base Height 10", Flange 4", Roof Opening 8"x8", Pitch 6/12.
USSTL-019	SB05SSU-07/12	Ø5" Slope Base Diameter in Stainless Steel, Base Height 10", Flange 4", Roof Opening 8"x8", Pitch 7/12.
USSTL-020	SB05SSU-08/12	Ø5" Slope Base Diameter in Stainless Steel, Base Height 10", Flange 4", Roof Opening 8"x8", Pitch 8/12.
USSTL-021	SB05SSU-09/12	Ø5" Slope Base Diameter in Stainless Steel, Base Height 10", Flange 4", Roof Opening 8"x8", Pitch 9/12.
USSTL-022	SB05SSU-10/12	Ø5" Slope Base Diameter in Stainless Steel, Base Height 10", Flange 4", Roof Opening 8"x8", Pitch 10/12.
USSTL-023	SB05SSU-11/12	Ø5" Slope Base Diameter in Stainless Steel, Base Height 10", Flange 4", Roof Opening 8"x8", Pitch 11/12.
USSTL-024	SB05SSU-12/12	Ø5" Slope Base Diameter in Stainless Steel, Base Height 10", Flange 4", Roof Opening 8"x8", Pitch 12/12.
USSTL-025	SB06SSU-01/12	Ø6" Slope Base Diameter in Stainless Steel, Base Height 10", Flange 4", Roof Opening 8"x8", Pitch 1/12.
USSTL-026	SB06SSU-02/12	Ø6" Slope Base Diameter in Stainless Steel, Base Height 10", Flange 4", Roof Opening 8"x8", Pitch 2/12.
USSTL-027	SB06SSU-03/12	Ø6" Slope Base Diameter in Stainless Steel, Base Height 10", Flange 4", Roof Opening 8"x8", Pitch 3/12.
USSTL-028	SB06SSU-04/12	Ø6" Slope Base Diameter in Stainless Steel, Base Height 10", Flange 4", Roof Opening 8"x8", Pitch 4/12.

Item #	Manufacturing #	Short Description 300 Characters Maximum
		012345678901234567890123456789012345678901234567890123456789
USSTL-029	SB06SSU-05/12	Ø6" Slope Base Diameter in Stainless Steel, Base Height 10", Flange 4", Roof Opening 8"x8", Pitch 5/12.
USSTL-030	SB06SSU-06/12	Ø6" Slope Base Diameter in Stainless Steel, Base Height 10", Flange 4", Roof Opening 8"x8", Pitch 6/12.
USSTL-031	SB06SSO-07/12	Ø6" Slope Base Diameter in Stainless Steel, Base Height 10", Flange 4", Roof Opening 8"x8", Pitch 7/12.
USSTL-032	SB06SSO-08/12	Ø6" Slope Base Diameter in Stainless Steel, Base Height 10", Flange 4", Roof Opening 8"x8", Pitch 8/12.
USSTL-033	SB06SSO-09/12	Ø6" Slope Base Diameter in Stainless Steel, Base Height 10", Flange 4", Roof Opening 8"x8", Pitch 9/12.
USSTL-034	SB06SSO-10/12	Ø6" Slope Base Diameter in Stainless Steel, Base Height 10", Flange 4", Roof Opening 8"x8", Pitch 10/12.
USSTL-035	SB06SSO-11/12	Ø6" Slope Base Diameter in Stainless Steel, Base Height 10", Flange 4", Roof Opening 8"x8", Pitch 11/12.
USSTL-036	SB06SSO-12/12	Ø6" Slope Base Diameter in Stainless Steel, Base Height 10", Flange 4", Roof Opening 8"x8", Pitch 12/12.
USSTL-037	SB07SSU-01/12	Ø7" Slope Base Diameter in Stainless Steel, Base Height 10", Flange 4", Roof Opening 10"x10", Pitch 1/12.
USSTL-038	SB07SSU-02/12	Ø7" Slope Base Diameter in Stainless Steel, Base Height 10", Flange 4", Roof Opening 10"x10", Pitch 2/12.
USSTL-039	SB07SSU-03/12	Ø7" Slope Base Diameter in Stainless Steel, Base Height 10", Flange 4", Roof Opening 10"x10", Pitch 3/12.
USSTL-040	SB07SSU-04/12	Ø7" Slope Base Diameter in Stainless Steel, Base Height 10", Flange 4", Roof Opening 10"x10", Pitch 4/12.
USSTL-041	SB07SSU-05/12	Ø7" Slope Base Diameter in Stainless Steel, Base Height 10", Flange 4", Roof Opening 10"x10", Pitch 5/12.
USSTL-042	SB07SSU-06/12	Ø7" Slope Base Diameter in Stainless Steel, Base Height 10", Flange 4", Roof Opening 10"x10", Pitch 6/12.
USSTL-043	SB07SSO-07/12	Ø7" Slope Base Diameter in Stainless Steel, Base Height 10", Flange 4", Roof Opening 10"x10", Pitch 7/12.
USSTL-044	SB07SSO-08/12	Ø7" Slope Base Diameter in Stainless Steel, Base Height 10", Flange 4", Roof Opening 10"x10", Pitch 8/12.
USSTL-045	SB07SSO-09/12	Ø7" Slope Base Diameter in Stainless Steel, Base Height 10", Flange 4", Roof Opening 10"x10", Pitch 9/12.
USSTL-046	SB07SSO-10/12	Ø7" Slope Base Diameter in Stainless Steel, Base Height 10", Flange 4", Roof Opening 10"x10", Pitch 10/12.
USSTL-047	SB07SSO-11/12	Ø7" Slope Base Diameter in Stainless Steel, Base Height 10", Flange 4", Roof Opening 10"x10", Pitch 11/12.
USSTL-048	SB07SSO-12/12	Ø7" Slope Base Diameter in Stainless Steel, Base Height 10", Flange 4", Roof Opening 10"x10", Pitch 12/12.
USSTL-049	SB08SSU-01/12	Ø8" Slope Base Diameter in Stainless Steel, Base Height 10", Flange 4", Roof Opening 10"x10", Pitch 1/12.
USSTL-050	SB08SSU-02/12	Ø8" Slope Base Diameter in Stainless Steel, Base Height 10", Flange 4", Roof Opening 10"x10", Pitch 2/12.
USSTL-051	SB08SSU-03/12	Ø8" Slope Base Diameter in Stainless Steel, Base Height 10", Flange 4", Roof Opening 10"x10", Pitch 3/12.
USSTL-052	SB08SSU-04/12	Ø8" Slope Base Diameter in Stainless Steel, Base Height 10", Flange 4", Roof Opening 10"x10", Pitch 4/12.
USSTL-053	SB08SSU-05/12	Ø8" Slope Base Diameter in Stainless Steel, Base Height 10", Flange 4", Roof Opening 10"x10", Pitch 5/12.
USSTL-054	SB08SSU-06/12	Ø8" Slope Base Diameter in Stainless Steel, Base Height 10", Flange 4", Roof Opening 10"x10", Pitch 6/12.
USSTL-055	SB08SSO-07/12	Ø8" Slope Base Diameter in Stainless Steel, Base Height 10", Flange 4", Roof Opening 10"x10", Pitch 7/12.
USSTL-056	SB08SSO-08/12	Ø8" Slope Base Diameter in Stainless Steel, Base Height 10", Flange 4", Roof Opening 10"x10", Pitch 8/12.

Item #	Manufacturing #	Short Description 300 Characters Maximum
		012345678901234567890123456789012345678901234567890123456789
USSTL-057	SB08SSO-09/12	Ø8" Slope Base Diameter in Stainless Steel, Base Height 10", Flange 4", Roof Opening 10"x10", Pitch 9/12.
USSTL-058	SB08SSO-10/12	Ø8" Slope Base Diameter in Stainless Steel, Base Height 10", Flange 4", Roof Opening 10"x10", Pitch 10/12.
USSTL-059	SB08SSO-11/12	Ø8" Slope Base Diameter in Stainless Steel, Base Height 10", Flange 4", Roof Opening 10"x10", Pitch 11/12.
USSTL-060	SB08SSO-12/12	Ø8" Slope Base Diameter in Stainless Steel, Base Height 10", Flange 4", Roof Opening 10"x10", Pitch 12/12.
USSTL-061	SB09SSU-01/12	Ø9" Slope Base Diameter in Stainless Steel, Base Height 10", Flange 4", Roof Opening 12"x12", Pitch 1/12.
USSTL-062	SB09SSU-02/12	Ø9" Slope Base Diameter in Stainless Steel, Base Height 10", Flange 4", Roof Opening 12"x12", Pitch 2/12.
USSTL-063	SB09SSU-03/12	Ø9" Slope Base Diameter in Stainless Steel, Base Height 10", Flange 4", Roof Opening 12"x12", Pitch 3/12.
USSTL-064	SB09SSU-04/12	Ø9" Slope Base Diameter in Stainless Steel, Base Height 10", Flange 4", Roof Opening 12"x12", Pitch 4/12.
USSTL-065	SB09SSU-05/12	Ø9" Slope Base Diameter in Stainless Steel, Base Height 10", Flange 4", Roof Opening 12"x12", Pitch 5/12.
USSTL-066	SB09SSU-06/12	Ø9" Slope Base Diameter in Stainless Steel, Base Height 10", Flange 4", Roof Opening 12"x12", Pitch 6/12.
USSTL-067	SB09SSO-07/12	Ø9" Slope Base Diameter in Stainless Steel, Base Height 10", Flange 4", Roof Opening 10"x10", Pitch 7/12.
USSTL-068	SB09SSO-08/12	Ø9" Slope Base Diameter in Stainless Steel, Base Height 10", Flange 4", Roof Opening 10"x10", Pitch 8/12.
USSTL-069	SB09SSO-09/12	Ø9" Slope Base Diameter in Stainless Steel, Base Height 10", Flange 4", Roof Opening 10"x10", Pitch 9/12.
USSTL-070	SB09SSO-10/12	Ø9" Slope Base Diameter in Stainless Steel, Base Height 10", Flange 4", Roof Opening 10"x10", Pitch 10/12.
USSTL-071	SB09SSO-11/12	Ø9" Slope Base Diameter in Stainless Steel, Base Height 10", Flange 4", Roof Opening 10"x10", Pitch 11/12.
USSTL-072	SB09SSO-12/12	Ø9" Slope Base Diameter in Stainless Steel, Base Height 10", Flange 4", Roof Opening 10"x10", Pitch 12/12.
USSTL-073	SB10SSU-01/12	Ø10" Slope Base Diameter in Stainless Steel, Base Height 10", Flange 4", Roof Opening 12"x12", Pitch 1/12.
USSTL-074	SB10SSU-02/12	Ø10" Slope Base Diameter in Stainless Steel, Base Height 10", Flange 4", Roof Opening 12"x12", Pitch 2/12.
USSTL-075	SB10SSU-03/12	Ø10" Slope Base Diameter in Stainless Steel, Base Height 10", Flange 4", Roof Opening 12"x12", Pitch 3/12.
USSTL-076	SB10SSU-04/12	Ø10" Slope Base Diameter in Stainless Steel, Base Height 10", Flange 4", Roof Opening 12"x12", Pitch 4/12.
USSTL-077	SB10SSU-05/12	Ø10" Slope Base Diameter in Stainless Steel, Base Height 10", Flange 4", Roof Opening 12"x12", Pitch 5/12.
USSTL-078	SB10SSU-06/12	Ø10" Slope Base Diameter in Stainless Steel, Base Height 10", Flange 4", Roof Opening 12"x12", Pitch 6/12.
USSTL-079	SB10SSO-07/12	Ø10" Slope Base Diameter in Stainless Steel, Base Height 10", Flange 4", Roof Opening 12"x12", Pitch 7/12.
USSTL-080	SB10SSO-08/12	Ø10" Slope Base Diameter in Stainless Steel, Base Height 10", Flange 4", Roof Opening 12"x12", Pitch 8/12.
USSTL-081	SB10SSO-09/12	Ø10" Slope Base Diameter in Stainless Steel, Base Height 10", Flange 4", Roof Opening 12"x12", Pitch 9/12.
USSTL-082	SB10SSO-10/12	Ø10" Slope Base Diameter in Stainless Steel, Base Height 10", Flange 4", Roof Opening 12"x12", Pitch 10/12.
USSTL-083	SB10SSO-11/12	Ø10" Slope Base Diameter in Stainless Steel, Base Height 10", Flange 4", Roof Opening 12"x12", Pitch 11/12.
USSTL-084	SB10SSO-12/12	Ø10" Slope Base Diameter in Stainless Steel, Base Height 10", Flange 4", Roof Opening 12"x12", Pitch 12/12.

Item #	Manufacturing #	Short Description 300 Characters Maximum
		012345678901234567890123456789012345678901234567890123456789
USSTL-085	SB12SSU-01/12	Ø12" Slope Base Diameter in Stainless Steel, Base Height 10", Flange 4", Roof Opening 14"x14", Pitch 1/12.
USSTL-086	SB12SSU-02/12	Ø12" Slope Base Diameter in Stainless Steel, Base Height 10", Flange 4", Roof Opening 14"x14", Pitch 2/12.
USSTL-087	SB12SSU-03/12	Ø12" Slope Base Diameter in Stainless Steel, Base Height 10", Flange 4", Roof Opening 14"x14", Pitch 3/12.
USSTL-088	SB12SSU-04/12	Ø12" Slope Base Diameter in Stainless Steel, Base Height 10", Flange 4", Roof Opening 14"x14", Pitch 4/12.
USSTL-089	SB12SSU-05/12	Ø12" Slope Base Diameter in Stainless Steel, Base Height 10", Flange 4", Roof Opening 14"x14", Pitch 5/12.
USSTL-090	SB12SSU-06/12	Ø12" Slope Base Diameter in Stainless Steel, Base Height 10", Flange 4", Roof Opening 14"x14", Pitch 6/12.
USSTL-091	SB12SSU-07/12	Ø12" Slope Base Diameter in Stainless Steel, Base Height 10", Flange 4", Roof Opening 14"x14", Pitch 7/12.
USSTL-092	SB12SSU-08/12	Ø12" Slope Base Diameter in Stainless Steel, Base Height 10", Flange 4", Roof Opening 14"x14", Pitch 8/12.
USSTL-093	SB12SSU-09/12	Ø12" Slope Base Diameter in Stainless Steel, Base Height 10", Flange 4", Roof Opening 14"x14", Pitch 9/12.
USSTL-094	SB12SSU-10/12	Ø12" Slope Base Diameter in Stainless Steel, Base Height 10", Flange 4", Roof Opening 14"x14", Pitch 10/12.
USSTL-095	SB12SSU-11/12	Ø12" Slope Base Diameter in Stainless Steel, Base Height 10", Flange 4", Roof Opening 14"x14", Pitch 11/12.
USSTL-096	SB12SSU-12/12	Ø12" Slope Base Diameter in Stainless Steel, Base Height 10", Flange 4", Roof Opening 14"x14", Pitch 12/12.
USSTL-097	SB14SSU-01/12	Ø14" Slope Base Diameter in Stainless Steel, Base Height 10", Flange 4", Roof Opening 16"x16", Pitch 1/12.
USSTL-098	SB14SSU-02/12	Ø14" Slope Base Diameter in Stainless Steel, Base Height 10", Flange 4", Roof Opening 16"x16", Pitch 2/12.
USSTL-099	SB14SSU-03/12	Ø14" Slope Base Diameter in Stainless Steel, Base Height 10", Flange 4", Roof Opening 16"x16", Pitch 3/12.
USSTL-100	SB14SSU-04/12	Ø14" Slope Base Diameter in Stainless Steel, Base Height 10", Flange 4", Roof Opening 16"x16", Pitch 4/12.
USSTL-101	SB14SSU-05/12	Ø14" Slope Base Diameter in Stainless Steel, Base Height 10", Flange 4", Roof Opening 16"x16", Pitch 5/12.
USSTL-102	SB14SSU-06/12	Ø14" Slope Base Diameter in Stainless Steel, Base Height 10", Flange 4", Roof Opening 16"x16", Pitch 6/12.
USSTL-103	SB14SSU-07/12	Ø14" Slope Base Diameter in Stainless Steel, Base Height 10", Flange 4", Roof Opening 16"x16", Pitch 7/12.
USSTL-104	SB14SSU-08/12	Ø14" Slope Base Diameter in Stainless Steel, Base Height 10", Flange 4", Roof Opening 16"x16", Pitch 8/12.
USSTL-105	SB14SSU-09/12	Ø14" Slope Base Diameter in Stainless Steel, Base Height 10", Flange 4", Roof Opening 16"x16", Pitch 9/12.
USSTL-106	SB14SSU-10/12	Ø14" Slope Base Diameter in Stainless Steel, Base Height 10", Flange 4", Roof Opening 16"x16", Pitch 10/12.
USSTL-107	SB14SSU-11/12	Ø14" Slope Base Diameter in Stainless Steel, Base Height 10", Flange 4", Roof Opening 16"x16", Pitch 11/12.
USSTL-108	SB14SSU-12/12	Ø14" Slope Base Diameter in Stainless Steel, Base Height 10", Flange 4", Roof Opening 16"x16", Pitch 12/12.
USSTL-109	SB16SSU-01/12	Ø16" Slope Base Diameter in Stainless Steel, Base Height 10", Flange 4", Roof Opening 18"x18", Pitch 1/12.
USSTL-110	SB16SSU-02/12	Ø16" Slope Base Diameter in Stainless Steel, Base Height 10", Flange 4", Roof Opening 18"x18", Pitch 2/12.
USSTL-111	SB16SSU-03/12	Ø16" Slope Base Diameter in Stainless Steel, Base Height 10", Flange 4", Roof Opening 18"x18", Pitch 3/12.
USSTL-112	SB16SSU-04/12	Ø16" Slope Base Diameter in Stainless Steel, Base Height 10", Flange 4", Roof Opening 18"x18", Pitch 4/12.

Item #	Manufacturing #	Short Description 300 Characters Maximum
		012345678901234567890123456789012345678901234567890123456789
USSTL-113	SB16SSU-05/12	Ø16" Slope Base Diameter in Stainless Steel, Base Height 10", Flange 4", Roof Opening 18"x18", Pitch 5/12.
USSTL-114	SB16SSU-06/12	Ø16" Slope Base Diameter in Stainless Steel, Base Height 10", Flange 4", Roof Opening 18"x18", Pitch 6/12.
USSTL-115	SB16SSO-07/12	Ø16" Slope Base Diameter in Stainless Steel, Base Height 10", Flange 4", Roof Opening 18"x18", Pitch 7/12.
USSTL-116	SB16SSO-08/12	Ø16" Slope Base Diameter in Stainless Steel, Base Height 10", Flange 4", Roof Opening 18"x18", Pitch 8/12.
USSTL-117	SB16SSO-09/12	Ø16" Slope Base Diameter in Stainless Steel, Base Height 10", Flange 4", Roof Opening 18"x18", Pitch 9/12.
USSTL-118	SB16SSO-10/12	Ø16" Slope Base Diameter in Stainless Steel, Base Height 10", Flange 4", Roof Opening 18"x18", Pitch 10/12.
USSTL-119	SB16SSO-11/12	Ø16" Slope Base Diameter in Stainless Steel, Base Height 10", Flange 4", Roof Opening 18"x18", Pitch 11/12.
USSTL-120	SB16SSO-12/12	Ø16" Slope Base Diameter in Stainless Steel, Base Height 10", Flange 4", Roof Opening 18"x18", Pitch 12/12.
USSTL-121	SB18SSU-01/12	Ø18" Slope Base Diameter in Stainless Steel, Base Height 10", Flange 4", Roof Opening 22"x22", Pitch 1/12.
USSTL-122	SB18SSU-02/12	Ø18" Slope Base Diameter in Stainless Steel, Base Height 10", Flange 4", Roof Opening 22"x22", Pitch 2/12.
USSTL-123	SB18SSU-03/12	Ø18" Slope Base Diameter in Stainless Steel, Base Height 10", Flange 4", Roof Opening 22"x22", Pitch 3/12.
USSTL-124	SB18SSU-04/12	Ø18" Slope Base Diameter in Stainless Steel, Base Height 10", Flange 4", Roof Opening 22"x22", Pitch 4/12.
USSTL-125	SB18SSU-05/12	Ø18" Slope Base Diameter in Stainless Steel, Base Height 10", Flange 4", Roof Opening 22"x22", Pitch 5/12.
USSTL-126	SB18SSU-06/12	Ø18" Slope Base Diameter in Stainless Steel, Base Height 10", Flange 4", Roof Opening 22"x22", Pitch 6/12.
USSTL-127	SB18SSO-07/12	Ø18" Slope Base Diameter in Stainless Steel, Base Height 10", Flange 4", Roof Opening 22"x22", Pitch 7/12.
USSTL-128	SB18SSO-08/12	Ø18" Slope Base Diameter in Stainless Steel, Base Height 10", Flange 4", Roof Opening 22"x22", Pitch 8/12.
USSTL-129	SB18SSO-09/12	Ø18" Slope Base Diameter in Stainless Steel, Base Height 10", Flange 4", Roof Opening 22"x22", Pitch 9/12.
USSTL-130	SB18SSO-10/12	Ø18" Slope Base Diameter in Stainless Steel, Base Height 10", Flange 4", Roof Opening 22"x22", Pitch 10/12.
USSTL-131	SB18SSO-11/12	Ø18" Slope Base Diameter in Stainless Steel, Base Height 10", Flange 4", Roof Opening 22"x22", Pitch 11/12.
USSTL-132	SB18SSO-12/12	Ø18" Slope Base Diameter in Stainless Steel, Base Height 10", Flange 4", Roof Opening 22"x22", Pitch 12/12.
USSTL-133	SB20SSU-01/12	Ø20" Slope Base Diameter in Stainless Steel, Base Height 10", Flange 4", Roof Opening 24"x24", Pitch 1/12.
USSTL-134	SB20SSU-02/12	Ø20" Slope Base Diameter in Stainless Steel, Base Height 10", Flange 4", Roof Opening 24"x24", Pitch 2/12.
USSTL-135	SB20SSU-03/12	Ø20" Slope Base Diameter in Stainless Steel, Base Height 10", Flange 4", Roof Opening 24"x24", Pitch 3/12.
USSTL-136	SB20SSU-04/12	Ø20" Slope Base Diameter in Stainless Steel, Base Height 10", Flange 4", Roof Opening 24"x24", Pitch 4/12.
USSTL-137	SB20SSU-05/12	Ø20" Slope Base Diameter in Stainless Steel, Base Height 10", Flange 4", Roof Opening 24"x24", Pitch 5/12.
USSTL-138	SB20SSU-06/12	Ø20" Slope Base Diameter in Stainless Steel, Base Height 10", Flange 4", Roof Opening 24"x24", Pitch 6/12.
USSTL-139	SB20SSO-07/12	Ø20" Slope Base Diameter in Stainless Steel, Base Height 10", Flange 4", Roof Opening 24"x24", Pitch 7/12.
USSTL-140	SB20SSO-08/12	Ø20" Slope Base Diameter in Stainless Steel, Base Height 10", Flange 4", Roof Opening 24"x24", Pitch 8/12.

Item #	Manufacturing #	Short Description 300 Characters Maximum
		012345678901234567890123456789012345678901234567890123456789
USSTL-141	SB20SSO-09/12	Ø20" Slope Base Diameter in Stainless Steel, Base Height 10", Flange 4", Roof Opening 24"x24", Pitch 9/12.
USSTL-142	SB20SSO-10/12	Ø20" Slope Base Diameter in Stainless Steel, Base Height 10", Flange 4", Roof Opening 24"x24", Pitch 10/12.
USSTL-143	SB20SSO-11/12	Ø20" Slope Base Diameter in Stainless Steel, Base Height 10", Flange 4", Roof Opening 24"x24", Pitch 11/12.
USSTL-144	SB20SSO-12/12	Ø20" Slope Base Diameter in Stainless Steel, Base Height 10", Flange 4", Roof Opening 24"x24", Pitch 12/12.
USSTL-145	SB24SSU-01/12	Ø24" Slope Base Diameter in Stainless Steel, Base Height 12", Flange 4", Roof Opening 30"x30", Pitch 1/12.
USSTL-146	SB24SSU-02/12	Ø24" Slope Base Diameter in Stainless Steel, Base Height 12", Flange 4", Roof Opening 30"x30", Pitch 2/12.
USSTL-147	SB24SSU-03/12	Ø24" Slope Base Diameter in Stainless Steel, Base Height 12", Flange 4", Roof Opening 30"x30", Pitch 3/12.
USSTL-148	SB24SSU-04/12	Ø24" Slope Base Diameter in Stainless Steel, Base Height 12", Flange 4", Roof Opening 30"x30", Pitch 4/12.
USSTL-149	SB24SSU-05/12	Ø24" Slope Base Diameter in Stainless Steel, Base Height 12", Flange 4", Roof Opening 30"x30", Pitch 5/12.
USSTL-150	SB24SSU-06/12	Ø24" Slope Base Diameter in Stainless Steel, Base Height 12", Flange 4", Roof Opening 30"x30", Pitch 6/12.
USSTL-151	SB24SSO-07/12	Ø24" Slope Base Diameter in Stainless Steel, Base Height 12", Flange 4", Roof Opening 30"x30", Pitch 7/12.
USSTL-152	SB24SSO-08/12	Ø24" Slope Base Diameter in Stainless Steel, Base Height 12", Flange 4", Roof Opening 30"x30", Pitch 8/12.
USSTL-153	SB24SSO-09/12	Ø24" Slope Base Diameter in Stainless Steel, Base Height 12", Flange 4", Roof Opening 30"x30", Pitch 9/12.
USSTL-154	SB24SSO-10/12	Ø24" Slope Base Diameter in Stainless Steel, Base Height 12", Flange 4", Roof Opening 30"x30", Pitch 10/12.
USSTL-155	SB24SSO-11/12	Ø24" Slope Base Diameter in Stainless Steel, Base Height 12", Flange 4", Roof Opening 30"x30", Pitch 11/12.
USSTL-156	SB24SSO-12/12	Ø24" Slope Base Diameter in Stainless Steel, Base Height 12", Flange 4", Roof Opening 30"x30", Pitch 12/12.
USSTL-157	SB30SSU-01/12	Ø30" Slope Base Diameter in Stainless Steel, Base Height 12", Flange 4", Roof Opening 36"x36", Pitch 12/12.
USSTL-158	SB30SSU-02/12	Ø30" Slope Base Diameter in Stainless Steel, Base Height 12", Flange 4", Roof Opening 36"x36", Pitch 12/12.
USSTL-159	SB30SSU-03/12	Ø30" Slope Base Diameter in Stainless Steel, Base Height 12", Flange 4", Roof Opening 36"x36", Pitch 12/12.
USSTL-160	SB30SSU-04/12	Ø30" Slope Base Diameter in Stainless Steel, Base Height 12", Flange 4", Roof Opening 36"x36", Pitch 12/12.
USSTL-161	SB30SSU-05/12	Ø30" Slope Base Diameter in Stainless Steel, Base Height 12", Flange 4", Roof Opening 36"x36", Pitch 12/12.
USSTL-162	SB30SSU-06/12	Ø30" Slope Base Diameter in Stainless Steel, Base Height 12", Flange 4", Roof Opening 36"x36", Pitch 12/12.
USSTL-163	SB30SSO-07/12	Ø30" Slope Base Diameter in Stainless Steel, Base Height 12", Flange 4", Roof Opening 36"x36", Pitch 12/12.
USSTL-164	SB30SSO-08/12	Ø30" Slope Base Diameter in Stainless Steel, Base Height 12", Flange 4", Roof Opening 36"x36", Pitch 12/12.
USSTL-165	SB30SSO-09/12	Ø30" Slope Base Diameter in Stainless Steel, Base Height 12", Flange 4", Roof Opening 36"x36", Pitch 12/12.
USSTL-166	SB30SSO-10/12	Ø30" Slope Base Diameter in Stainless Steel, Base Height 12", Flange 4", Roof Opening 36"x36", Pitch 12/12.
USSTL-167	SB30SSO-11/12	Ø30" Slope Base Diameter in Stainless Steel, Base Height 12", Flange 4", Roof Opening 36"x36", Pitch 12/12.
USSTL-168	SB30SSO-12/12	Ø30" Slope Base Diameter in Stainless Steel, Base Height 12", Flange 4", Roof Opening 36"x36", Pitch 12/12.



SEO Table of Slope Roof Mounting Base StainlessSteel

Title
Slope Roof Mounting Base StainlessSteel StainlessSteel.
Meta Description
Slope Roof Mounting Base StainlessSteel StainlessSteel for Commercial Use, Slope Roof Mounting Base StainlessSteel StainlessSteel for Industrial Use, Slope Roof Mounting Base StainlessSteel StainlessSteel for Residential Use, Slope Roof Mounting Base StainlessSteel StainlessSteel for Outdoor Use, Slope Roof Mounting Base StainlessSteel StainlessSteel for Ventilation Use, Slope Roof Mounting Base StainlessSteel StainlessSteel for SOoling Use, Slope Roof Mounting Base StainlessSteel StainlessSteel for Extraction Use.
Meta Key Words
Slope Roof Mounting Base StainlessSteel StainlessSteel for Commercial Use, Slope Roof Mounting Base StainlessSteel StainlessSteel for Industrial Use, Slope Roof Mounting Base StainlessSteel StainlessSteel for Residential Use, Slope Roof Mounting Base StainlessSteel StainlessSteel for Outdoor Use, Slope Roof Mounting Base StainlessSteel StainlessSteel for Ventilation Use, Slope Roof Mounting Base StainlessSteel StainlessSteel for SOoling Use, Slope Roof Mounting Base StainlessSteel StainlessSteel for Extraction Use.
Meta URL (file name)
slope-roof-mounting-base-stainlesssteel-us-english.htm

Product Line Description of Slope Roof Mounting Base StainlessSteel

Type: Slope Roof Mounting Base StainlessSteel

Neck Diameters: 4,5,6,7,8,9,10,12,14,16,18,20,24 & 30

Base Type: Slope Base

Material: Stainless Steel

Finish: Natural

color: Natural Stainless Steel

Use: Turbine Vents for Ventilation in small, medium and large areas, Industrial, Commercial, and Residential

Warranty: 10 years

Manufactured in: 0-15 business days

