



General Characteristics of Round Back Roof Mounted Power Attic Ventilator, RoundBackCurb.

The Round Back Attic Fan is a small low profile residential fan. It will exhaust air continuously even when the motor is off. It also works passively because of the Stack Effect. This occurs when the outside temperature is colder than the inside temperature. Hot air rises, so the warmer, indoor air is buoyant and presses upward to exit through the fan. As a result, allowing air to freely flow in and out. As a result, allowing air to freely flow out. This residential attic fan is perfect for removing hot humid air from the attic during the summer. In addition, it will remove moisture from the attic during the Winter. This will help to complete proper attic ventilation.

The Round Back Fan is ideal for venting out bathroom fans or range hoods. In addition, the round design is aerodynamic to withstand wind speeds up to 200 mph. The Round Back Fan is great for residential roof applications because of its low profile. It can also be painted to match the color of the asphalt shingles.

For more robust powered ventilation needs, we also have Attic Fans with or without a Curb Mount Flange in a variety of sizes.

Product Applications of Round Back Roof Mounted Power Attic Ventilator, RoundBackCurb.

It adapts to residential and commercial buildings, as well as roofs with flat or steep slopes.

Refer to the Climate Zone Chart to determine the appropriate collar height for installation in your area. The installation of the Attic Fan is a simple process. Homeowners and professionals can install these vents on both new roofs and to replace old roof turbines.

Refer to the installation instructions provided by AVP to ensure proper installation and maximize the vent's effectiveness. Roof vents require no maintenance.

Warranty of Round Back Roof Mounted Power Attic Ventilator, RoundBackCurb.

Manufacturer's Warranty: 1-Year



**Active
Ventilation
Products**



RoundBackCurb

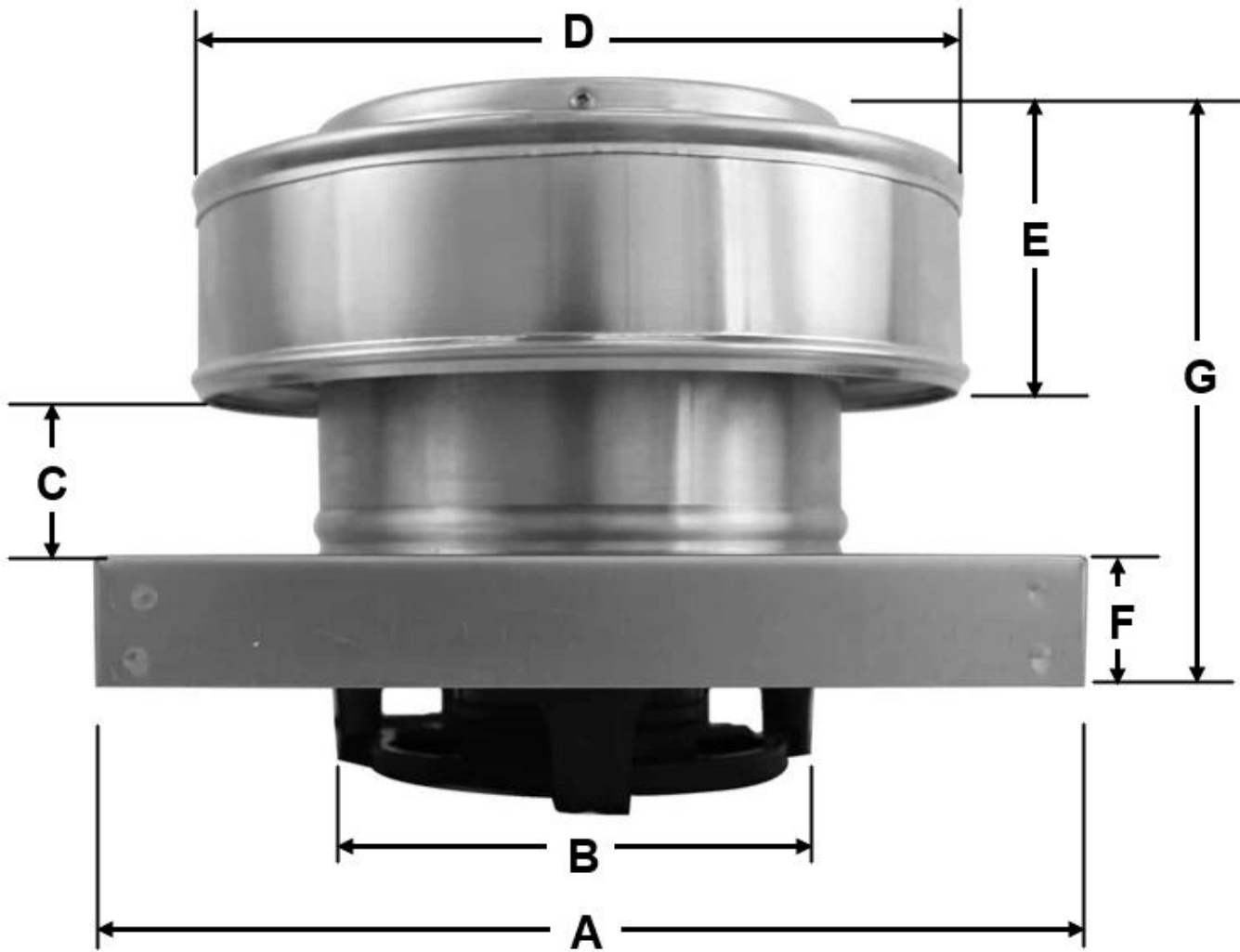
Data Sheet

Specific Characteristics of Round Back Mounted Power Attic Ventilator, RoundBackCurb.

Item #	Manufacturing #	Diameter	Tall Collar	CFM	Amps	Propeller Diameter	Pitch Capacity		Net Free Vent Area		Application per Sq. Foot		Weight and Dimensions with Packaging	
							Min	Max	Sq. In.	Sq. Ft.	(1/150)	(1/300)	Lbs.	W,H,D In
USRNU-001	RBF-6-C2-CMF	6"	2"	120	0.3	5"	3/12	12/12	28	0.19	50	100	9.6	11,8,11
USRNU-002	RBF-6-C4-CMF	6"	4"	120	0.3	5"	3/12	12/12	28	0.19	50	100	9.7	12,11,12

Dimensions (In.) of Round Back Mounted Power Attic Ventilator, RoundBackCurb.

Series		A	B	C	D	E	F	G
USRNU-001	RBF-6-C2-CMF	9.5"	6" Ø	2"	9.25"	3.2"	1.25"	6.3"
USRNU-002	RBF-6-C4-CMF	9.5"	6" Ø	4"	9.25"	3.2"	1.25"	8.3"



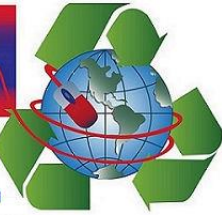


RoundBackCurb

Data Sheet

Gallery Image of Round Back Mounted Power Attic Ventilator, RoundBackCurb.





RoundBackCurb

Data Sheet



ID	Author	Description Error	Description Update	Supervisor Name
V1	Marcela Roldán	Technical Sheet Nueva	Technical Sheet Nueva	J.L.