



PopVentFlat

Data Sheet

General Characteristics of The Roof Louver Air Intake, PopVentFlat.

The Commercial Air Intake Pop Vent Roof Louver provides make up air for ducts, attics or plenums on flat or low slope roofs. For attic ventilation to occur, you need to remove hot moist air from your attic. This Commercial Roof Louver will bring in cool fresh dry air. This allows the attic to pressurize and exhaust out stale air.

Air intake vents allow outside air to enter into attics and ventilation spaces. They should be located along the lower end of the roof. Intake vents are best used with exhaust vents that are located at or near the roof peak.

The 1/8 inch opening between louvers under the lid will prevent rain, snow, insects, and animals from entering inside the roof vent. The vertical louvers work better than insect screens by allowing air to move freely into the vent for proper attic ventilation. This intake roof vent comes in an array of different diameters and collar heights to fit the need of your roof. Pop Vents that Exhaust Air are also available.

Product Applications of The Roof Louver Air Intake, PopVentFlat.

It adapts to residential and commercial buildings, as well as roofs with flat or steep slopes.

Refer to the Climate Zone Chart to determine the appropriate collar height for installation in your area. Homeowners and professionals can install these vents on both new roofs and to replace old roof turbines.

Refer to the installation instructions provided by AVP to ensure proper installation and maximize the vent's effectiveness. Roof vents require no maintenance.

Warranty of the Roof Louver Air Intake, PopVentFlat.

Manufacturer's Warranty: 1-Year



**Active
Ventilation
Products**





PopVentFlat

Data Sheet

Specific Characteristics of The Roof Louver Air Intake, PopVentFlat.

Item #	Manufacturing #	Diameter	NFA		IBC		Pitch Capacity		Tall Collar	Weight and Dimensions with Packaging	
			Net Free Area		1/150	1/300	Min	Max (Modified)		Lbs.	W,H,D In
			Sq. in.	Sq. feet.							
USPVF-001	PV-12-C4	12"	113	0.78	235	470	0/12	12/12	4"	4	18,10,18
USPVF-002	PV-12-C6	12"	113	0.78	235	470	0/12	12/12	6"	4	18,12,18
USPVF-003	PV-12-C8	12"	113	0.78	235	470	0/12	12/12	8"	4	18,14,18
USPVF-004	PV-12-C12	12"	113	0.78	235	470	0/12	12/12	12"	4	18,18,18
USPVF-005	PV-14-C4	14"	144	1.00	300	600	0/12	12/12	4"	5.5	20,10,20
USPVF-006	PV-14-C6	14"	144	1.00	300	600	0/12	12/12	6"	5.5	20,12,20
USPVF-007	PV-14-C8	14"	144	1.00	300	600	0/12	12/12	8"	5.5	20,14,20
USPVF-008	PV-14-C12	14"	144	1.00	300	600	0/12	12/12	12"	5.5	20,18,20
USPVF-009	PV-16-C4	16"	200	1.39	416	833	0/12	12/12	4"	9	25,13,25
USPVF-010	PV-16-C6	16"	200	1.39	416	833	0/12	12/12	6"	9	25,15,25
USPVF-011	PV-16-C8	16"	200	1.39	416	833	0/12	12/12	8"	9	25,17,25
USPVF-012	PV-16-C12	16"	200	1.39	416	833	0/12	12/12	12"	9	25,21,25
USPVF-013	PV-18-C4	18"	254	1.76	529	1058	0/12	12/12	4"	12	29,13,29
USPVF-014	PV-18-C6	18"	254	1.76	529	1058	0/12	12/12	6"	12	29,15,29
USPVF-015	PV-18-C8	18"	254	1.76	529	1058	0/12	12/12	8"	12	29,17,29
USPVF-016	PV-18-C12	18"	254	1.76	529	1058	0/12	12/12	12"	12	29,21,29
USPVF-017	PV-20-C4	20"	314	2.18	654	1308	0/12	12/12	4"	15	31,14,31
USPVF-018	PV-20-C6	20"	314	2.18	654	1308	0/12	12/12	6"	15	31,16,31
USPVF-019	PV-20-C8	20"	314	2.18	654	1308	0/12	12/12	8"	15	31,18,31
USPVF-020	PV-20-C12	20"	314	2.18	654	1308	0/12	12/12	12"	15	31,22,31
USPVF-021	PV-24-C4	24"	452	3.14	951	1883	0/12	12/12	4"	18	37,15,37
USPVF-022	PV-24-C6	24"	452	3.14	951	1883	0/12	12/12	6"	18	37,17,37
USPVF-023	PV-24-C8	24"	452	3.14	951	1883	0/12	12/12	8"	18	37,19,37
USPVF-024	PV-24-C12	24"	452	3.14	951	1883	0/12	12/12	12"	18	37,23,37

Unpainted

Standard Colors



ALUMINUM FINISH



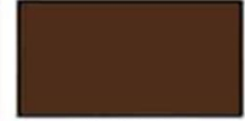
GLOSS BLACK



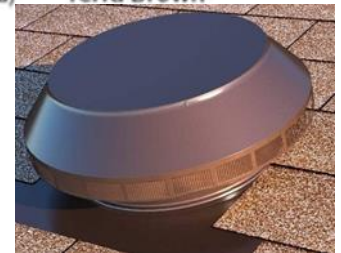
RAL 9003
SIGNAL WHITE



RAL 7039
Quartz Grey (Weatherwood)



RAL 8028
Terra Brown



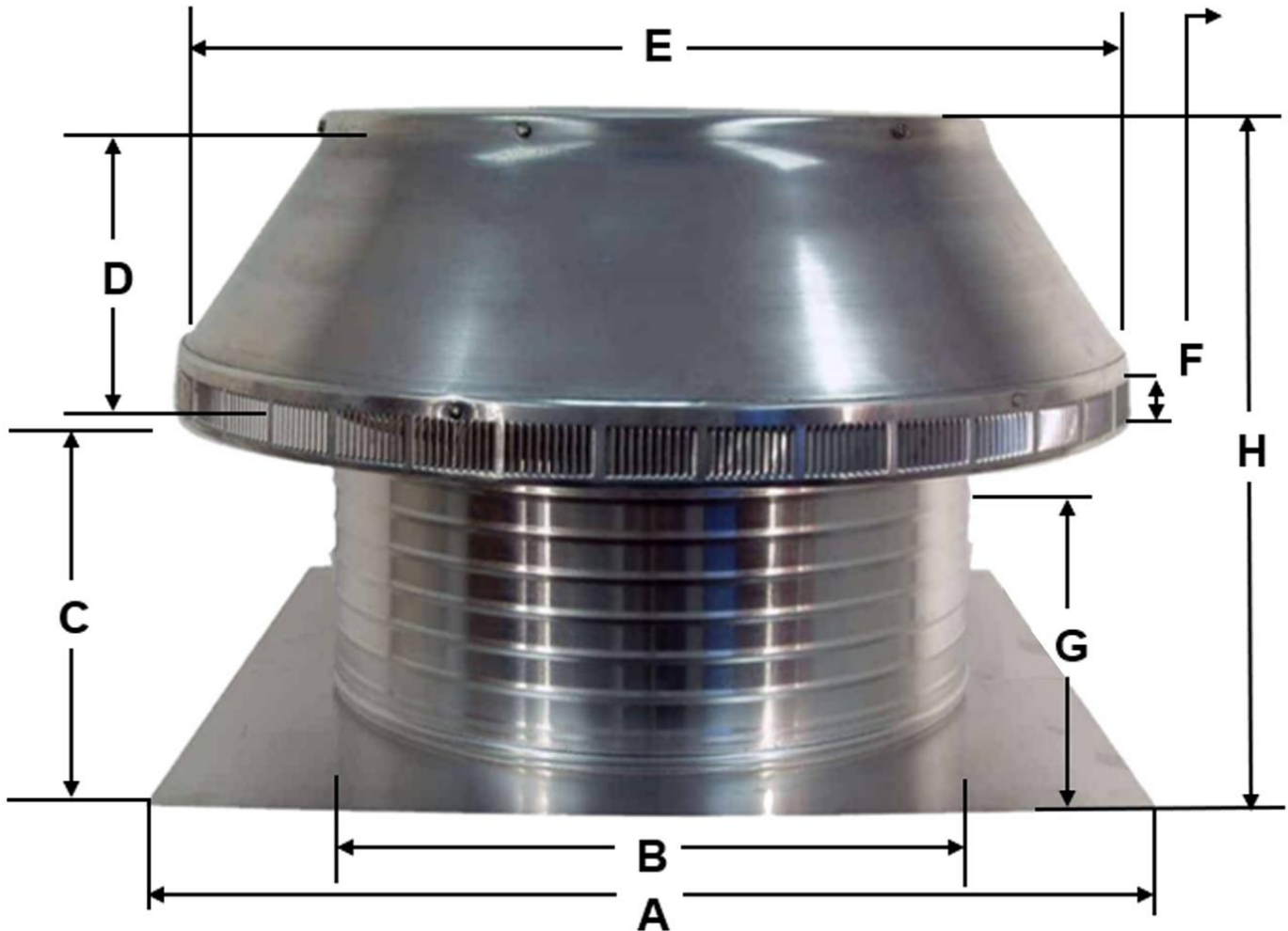


PopVentFlat

Data Sheet

Dimensions (In.) of The Roof Louver Air Intake, PopVentFlat..

Series		A	B	C	D	E	F	G	H
USPVF-001	PV-12-C4	17"	12"	5"	3"	16"	1"	4"	9"
USPVF-002	PV-12-C6	17"	12"	7"	3"	16"	1"	6"	11"
USPVF-003	PV-12-C8	17"	12"	9"	3"	16"	1"	8"	13"
USPVF-004	PV-12-C12	17"	12"	13"	3"	16"	1"	12"	17"
USPVF-005	PV-14-C4	19"	14"	5"	3 1/4"	18"	1"	4"	9 1/4"
USPVF-006	PV-14-C6	19"	14"	7"	3 1/4"	18"	1"	6"	11 1/4"
USPVF-007	PV-14-C8	19"	14"	9"	3 1/4"	18"	1"	8"	13 1/4"
USPVF-008	PV-14-C12	19"	14"	13"	3 1/4"	18"	1"	12"	17 1/4"
USPVF-009	PV-16-C4	24"	16"	4 7/8"	5 1/2"	22"	1"	4"	12"
USPVF-010	PV-16-C6	24"	16"	6 7/8"	5 1/2"	22"	1"	6"	14"
USPVF-011	PV-16-C8	24"	16"	8 7/8"	5 1/2"	22"	1"	8"	16"
USPVF-012	PV-16-C12	24"	16"	12 7/8"	5 1/2"	22"	1"	12"	20"
USPVF-013	PV-18-C4	28"	18"	4 7/8"	5 1/2"	26"	1"	4"	12 3/4"
USPVF-014	PV-18-C6	28"	18"	6 7/8"	5 1/2"	26"	1"	6"	14 3/4"
USPVF-015	PV-18-C8	28"	18"	8 7/8"	5 1/2"	26"	1"	8"	16 3/4"
USPVF-016	PV-18-C12	28"	18"	12 7/8"	5 1/2"	26"	1"	12"	20 3/4"
USPVF-017	PV-20-C4	30"	20"	5 1/2"	6 1/2"	28"	1"	4"	13 1/4"
USPVF-018	PV-20-C6	30"	20"	7 1/2"	6 1/2"	28"	1"	6"	15 1/4"
USPVF-019	PV-20-C8	30"	20"	9 1/2"	6 1/2"	28"	1"	8"	17 1/4"
USPVF-020	PV-20-C12	30"	20"	13 1/2"	6 1/2"	28"	1"	12"	21 1/4"
USPVF-021	PV-24-C4	36"	24"	5 1/4"	7 1/2"	34"	1"	4"	14"
USPVF-022	PV-24-C6	36"	24"	7 1/4"	7 1/2"	34"	1"	6"	16"
USPVF-023	PV-24-C8	36"	24"	9 1/4"	7 1/2"	34"	1"	8"	18"
USPVF-024	PV-24-C12	36"	24"	13 1/4"	7 1/2"	34"	1"	12"	22"



VentDepot .com

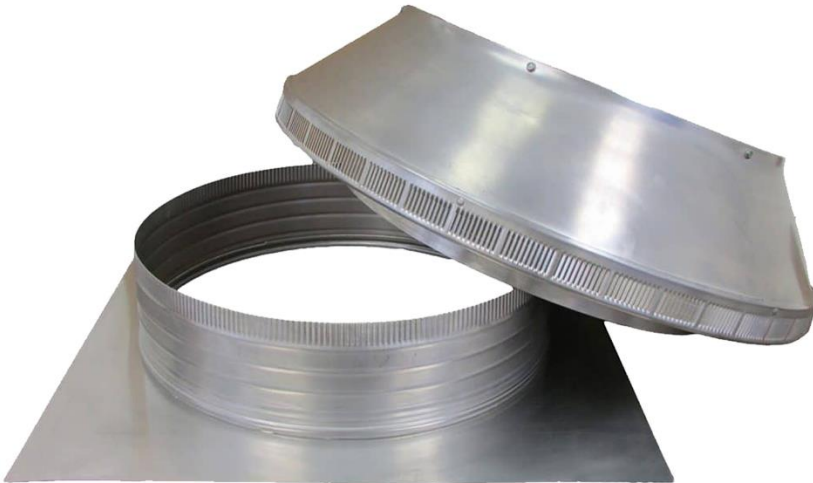
Ecological HVAC Supply & Engineering
1-888-514-1516, (626) 771-0048, F: (626) 771-0047
sales@ventdepot.com www.VentDepot.com



PopVentFlat

Data Sheet

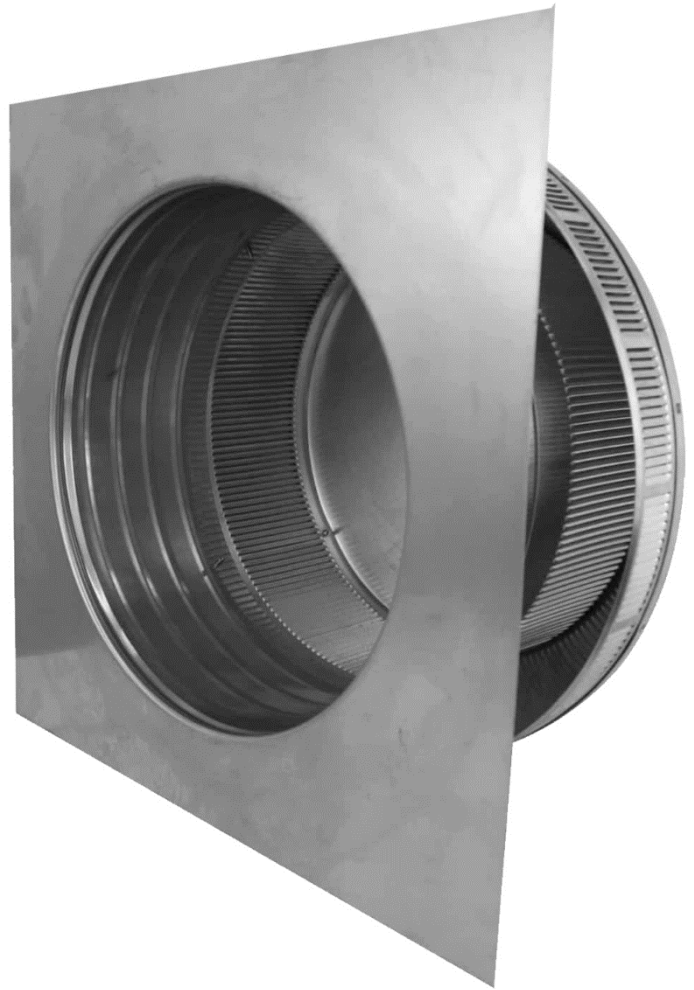
Gallery Image of The Roof Louver Air Intake, PopVentFlat..





PopVentFlat

Data Sheet



ID	Author	Description Error	Description Update	Supervisor Name
V1	Marcela Roldán	Technical Sheet Nueva	Technical Sheet Nueva	J.L.