



PopVentFlange

Data Sheet

General Characteristics of the Roof Louver Air Intake with CMF, PopVentFlange.

The Air Intake Pop Vents is ideal for maintaining proper attic ventilation. Our line of intake roof vents allows your exhaust vents to work efficiently by bringing in fresh air. These intake roof vents are maintenance-free and UL certified; in other words, tested to withstand wind pressure speeds up to 200 mph. They are constructed of durable rust-free aluminum and we offer powder coating to match vents to your roof.

The Pop Vent has vertical louvers that prevent rain and snow from entering. These louvers also keep out insects and animals which allows maximum fresh air supply without resistance. This attic vent is suitable for both commercial and residential applications. AVP offers an-array of sizes to fit all ventilation needs. The vent head is removable which, as a result, allows for easy access for inspections or duct maintenance. The Pop Vent roof louver with Curb Mount Flange arrives ready for installation directly onto Roof Curbs. You can make your own roof curbs on-site, or select one of our aluminum Roof Curbs. Selecting one of our roof curbs insures that your vent will fit perfectly.

Product Applications of the Roof Louver Air Intake with CMF, PopVentFlange.

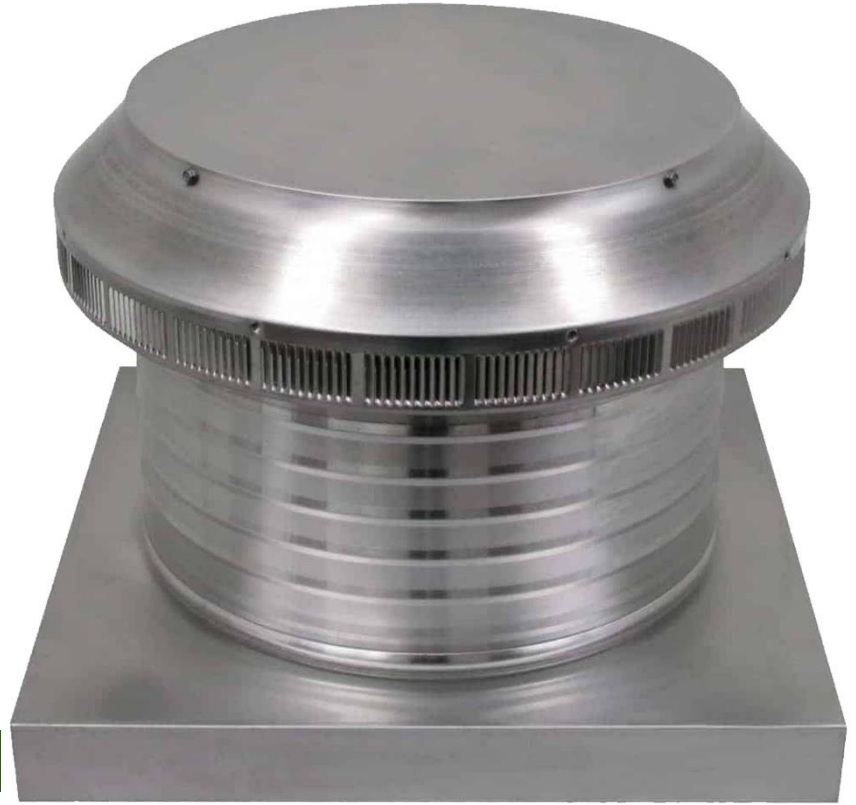
It adapts to residential and commercial buildings, as well as roofs with flat or steep slopes.

Refer to the Climate Zone Chart to determine the appropriate collar height for installation in your area. Homeowners and professionals can install these vents on both new roofs and to replace old roof turbines.

Refer to the installation instructions provided by AVP to ensure proper installation and maximize the vent's effectiveness. Roof vents require no maintenance.

Warranty of the Roof Louver Air Intake with CMF, PopVentFlange.

Manufacturer's Warranty: 1-Year



**Active
Ventilation
Products**





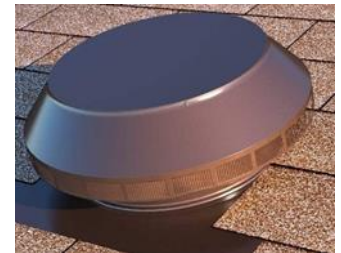
PopVentFlange

Data Sheet

Specific Characteristics of the Roof Louver Air Intake with CMF, PopVentFlange.

Item #	Manufacturing #	Diameter	Tall Collar	CMF	NFA Net Free Area		IBC		Pitch Capacity		Weight and Dimensions with Packaging	
					Sq. in.	Sq. feet.	1/150	1/300	Min	Max (Modified)	Lbs.	W,H,D In
USPVC-001	PV-12-C4-CMF	12"	4"	16"	113	0.78	235	470	0/12	12/12	6	17,12,17
USPVC-002	PV-12-C6-CMF	12"	6"	16"	113	0.78	235	470	0/12	12/12	6	17,14,17
USPVC-003	PV-12-C8-CMF	12"	8"	16"	113	0.78	235	470	0/12	12/12	7	17,16,17
USPVC-004	PV-12-C12-CMF	12"	12"	16"	113	0.78	235	470	0/12	12/12	7	17,20,17
USPVC-005	PV-14-C4-CMF	14"	4"	18"	144	1.00	300	600	0/12	12/12	8	19,12,19
USPVC-006	PV-14-C6-CMF	14"	6"	18"	144	1.00	300	600	0/12	12/12	8	19,14,19
USPVC-007	PV-14-C8-CMF	14"	8"	18"	144	1.00	300	600	0/12	12/12	10	19,16,19
USPVC-008	PV-14-C12-CMF	14"	12"	18"	144	1.00	300	600	0/12	12/12	10	19,20,19
USPVC-009	PV-16-C4-CMF	16"	4"	20"	200	1.39	416	833	0/12	12/12	13	21,15,21
USPVC-010	PV-16-C6-CMF	16"	6"	20"	200	1.39	416	833	0/12	12/12	13	21,17,21
USPVC-011	PV-16-C8-CMF	16"	8"	20"	200	1.39	416	833	0/12	12/12	15	21,19,21
USPVC-012	PV-16-C12-CMF	16"	12"	20"	200	1.39	416	833	0/12	12/12	16	21,23,21
USPVC-013	PV-18-C4-CMF	18"	4"	22"	254	1.76	529	1058	0/12	12/12	17	23,15,23
USPVC-014	PV-18-C6-CMF	18"	6"	22"	254	1.76	529	1058	0/12	12/12	17	23,17,23
USPVC-015	PV-18-C8-CMF	18"	8"	22"	254	1.76	529	1058	0/12	12/12	17	23,20,23
USPVC-016	PV-18-C12-CMF	18"	12"	22"	254	1.76	529	1058	0/12	12/12	20	23,23,23
USPVC-017	PV-20-C4-CMF	20"	4"	24"	314	2.18	654	1308	0/12	12/12	23	25,16,25
USPVC-018	PV-20-C6-CMF	20"	6"	24"	314	2.18	654	1308	0/12	12/12	23	25,18,25
USPVC-019	PV-20-C8-CMF	20"	8"	24"	314	2.18	654	1308	0/12	12/12	23	25,20,25
USPVC-020	PV-20-C12-CMF	20"	12"	24"	314	2.18	654	1308	0/12	12/12	24	25,24,25
USPVC-021	PV-24-C4-CMF	24"	4"	28"	452	3.14	941	1883	0/12	12/12	24	29,17,29
USPVC-022	PV-24-C6-CMF	24"	6"	28"	452	3.14	941	1883	0/12	12/12	24	29,19,29
USPVC-023	PV-24-C8-CMF	24"	8"	28"	452	3.14	941	1883	0/12	12/12	25	29,21,29
USPVC-024	PV-24-C12-CMF	24"	12"	28"	452	3.14	941	1883	0/12	12/12	25	29,25,29

Unpainted | Standard Colors



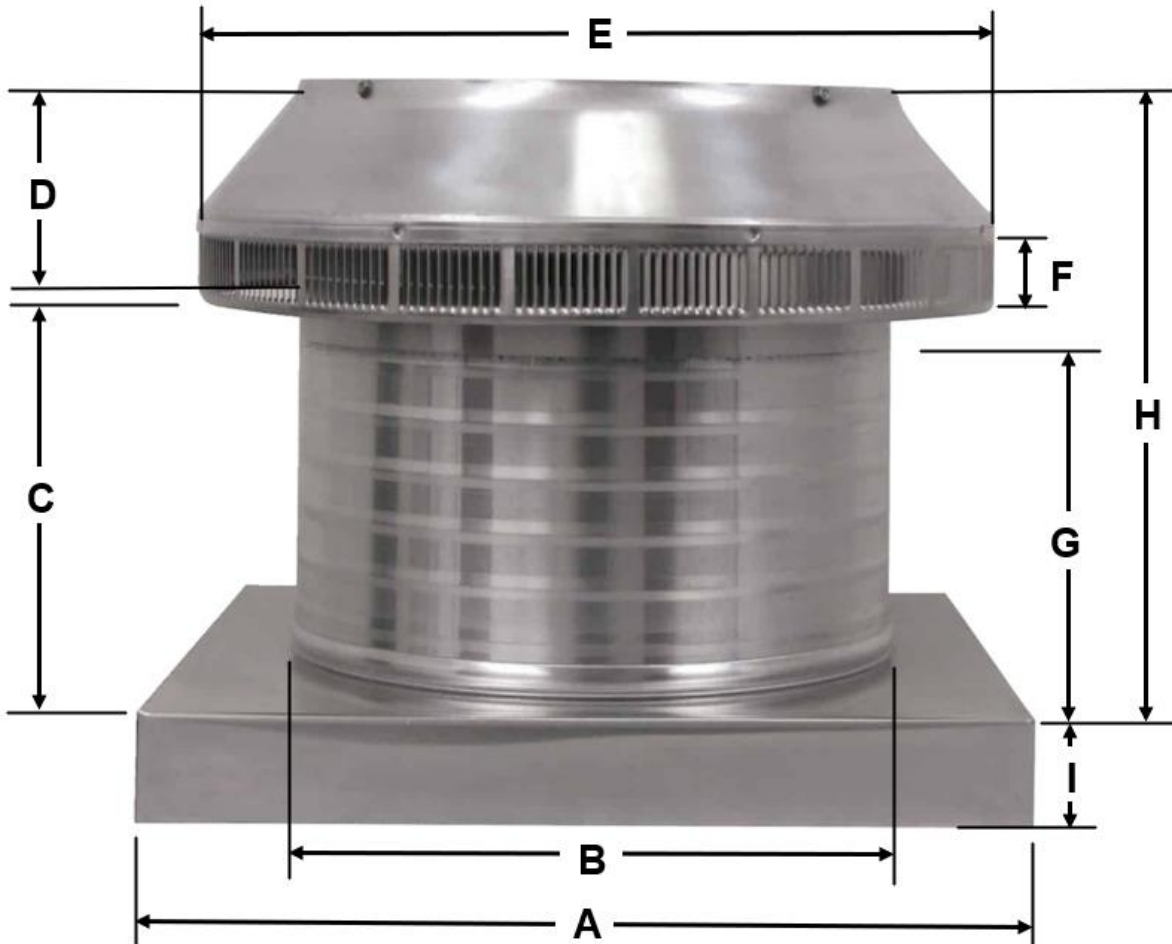


PopVentFlange

Data Sheet

Dimensions (In.) of the Roof Louver Air Intake with CMF, PopVentFlange.

Series		A	B	C	D	E	F	G	H	I
USPVC-001	PV-12-C4	16"	12"	5"	3"	16 1/8"	1"	4"	9"	2"
USPVC-002	PV-12-C6	16"	12"	7"	3"	16"	1"	6"	11"	2"
USPVC-003	PV-12-C8	16"	12"	9"	3"	16"	1"	8"	13"	2"
USPVC-004	PV-12-C12	16"	12"	13"	3"	16"	1"	12"	17"	2"
USPVC-005	PV-14-C4	18"	14"	5"	3 1/4"	18"	1"	4"	9 1/4"	2"
USPVC-006	PV-14-C6	18"	14"	7"	3 1/4"	18"	1"	6"	11 1/4"	2"
USPVC-007	PV-14-C8	18"	14"	9"	3 1/4"	18"	1"	8"	13 1/4"	2"
USPVC-008	PV-14-C12	18"	14"	13"	3 1/4"	18"	1"	12"	17 1/4"	2"
USPVC-009	PV-16-C4	20"	16"	4 7/8"	5 1/2"	22"	1"	4"	12"	2"
USPVC-010	PV-16-C6	20"	16"	6 7/8"	5 1/2"	22"	1"	6"	14"	2"
USPVC-011	PV-16-C8	20"	16"	8 7/8"	5 1/2"	22"	1"	8"	16"	2"
USPVC-012	PV-16-C12	20"	16"	12 7/8"	5 1/2"	22"	1"	12"	20"	2"
USPVC-013	PV-18-C4	22"	18"	4 7/8"	5 1/2"	26"	1"	4"	12 3/4"	2"
USPVC-014	PV-18-C6	22"	18"	6 7/8"	5 1/2"	26"	1"	6"	14 3/4"	2"
USPVC-015	PV-18-C8	22"	18"	8 7/8"	5 1/2"	26"	1"	8"	16 3/4"	2"
USPVC-016	PV-18-C12	22"	18"	12 7/8"	5 1/2"	26"	1"	12"	20 3/4"	2"
USPVC-017	PV-20-C4	24"	20"	5 1/2"	6 1/2"	28"	1"	4"	13 1/4"	2"
USPVC-018	PV-20-C6	24"	20"	7 1/2"	6 1/2"	28"	1"	6"	15 1/4"	2"
USPVC-019	PV-20-C8	24"	20"	9 1/2"	6 1/2"	28"	1"	8"	17 1/4"	2"
USPVC-020	PV-20-C12	24"	20"	13 1/2"	6 1/2"	28"	1"	12"	21 1/4"	2"
USPVC-021	PV-24-C4	28"	24"	5 1/4"	7 1/2"	34"	1"	4"	14"	2"
USPVC-022	PV-24-C6	28"	24"	7 1/4"	7 1/2"	34"	1"	6"	16"	2"
USPVC-023	PV-24-C8	28"	24"	9 1/4"	7 1/2"	34"	1"	8"	18"	2"
USPVC-024	PV-24-C12	28"	24"	13 1/4"	7 1/2"	34"	1"	12"	22"	2"



VentDepot.com

Ecological HVAC Supply & Engineering

1-888-514-1516, (626) 771-0048, F: (626) 771-0047

sales@ventdepot.com www.VentDepot.com



PopVentFlange

Data Sheet

Gallery Image of the Roof Louver Air Intake with CMF, PopVentFlange.





PopVentFlange

Data Sheet



ID	Author	Description Error	Description Update	Supervisor Name
V1	Marcela Roldán	Technical Sheet Nueva	Technical Sheet Nueva	J.L.