



General Characteristics of Residential Roof Louver for Air Exhaust, PopVent.

When it comes to maintaining a healthy and efficient home, proper attic ventilation is crucial. Installing roof louvers, also known as roof vents, is one of the most effective ways to achieve this. The PopVent Roof Louver is the premier for ventilating steep slope roofs. Its innovative design allows for the removal of moisture in the Winter and heat in the summer, ultimately extending the lifespan of your building. This round-shaped louver is aerodynamic and capable of withstanding wind speeds exceeding 200 mph, making it an excellent choice for areas prone to severe weather conditions. Every roof is unique, and the PopVent Roof Louver recognizes this by offering an array of sizes and collar heights to suit your specific needs. Whether you have a small residential roof or a large commercial building, you can find a PopVent that fits perfectly. Additionally, AVP also offers roof louvers as Air Intake vents, further enhancing the ventilation capabilities of your attic space.



Product Applications of Residential Roof Louver for Air Exhaust, PopVent.

It adapts to residential and commercial buildings, as well as roofs with flat or steep slopes. A professional can install a Gravity Ventilator in any climate zone and on all types of roofs. Refer to the Climate Zone Chart to determine the appropriate collar height for installation in your area. The installation of the Aura Gravity Ventilator is a simple process. Homeowners and professionals can install these vents on both new roofs and to replace old roof turbines. Refer to the installation instructions provided by AVP to ensure proper installation and maximize the vent's effectiveness. Roof vents require no maintenance.

Warranty of Residential Roof Louver for Air Exhaust, PopVent.

Manufacturer's Warranty: 1-Year



**Active
Ventilation
Products**

Specific Characteristics of Residential Roof Louver for Air Exhaust, PopVent.

Item #	Manufacturing #	Diameter	Tall Collar	NFA		IBC		Pitch Capacity		Color	Weight and Dimensions with Packaging	
				Net Free Area				Min	Max (Modified)		Lbs.	W,H,D In
				Sq. in.	Sq. feet.	1/150	1/300					
USPPV-001	PV-12-C1	12"	1"	113	0.78	235	470	3/12	12/12	Aluminum	2.5	18,6,18
USPPV-002	PV-12-C1	12"	1"	113	0.78	235	470	3/12	12/12	Black	2.5	18,6,18
USPPV-003	PV-12-C1	12"	1"	113	0.78	235	470	3/12	12/12	White	2.5	18,6,18
USPPV-004	PV-12-C1	12"	1"	113	0.78	235	470	3/12	12/12	Grey	2.5	18,6,18
USPPV-005	PV-12-C1	12"	1"	113	0.78	235	470	3/12	12/12	Brown	2.5	18,6,18



Specific Characteristics of Residential Roof Louver for Air Exhaust, PopVent.

Item #	Manufacturing #	Diameter	Tall Collar	NFA		IBC		Pitch Capacity		Color	Weight and Dimensions with Packaging	
				Net Free Area		1/150	1/300	Min	Max (Modified)		Lbs.	W,H,D In
				Sq. in.	Sq. feet.							
USPPV-006	PV-12-C2	12"	2"	113	0.78	235	470	3/12	12/12	Aluminum	2.5	18,8,18
USPPV-007	PV-12-C2	12"	2"	113	0.78	235	470	3/12	12/12	Black	2.5	18,8,18
USPPV-008	PV-12-C2	12"	2"	113	0.78	235	470	3/12	12/12	White	2.5	18,8,18
USPPV-009	PV-12-C2	12"	2"	113	0.78	235	470	3/12	12/12	Grey	2.5	18,8,18
USPPV-010	PV-12-C2	12"	2"	113	0.78	235	470	3/12	12/12	Brown	2.5	18,8,18
USPPV-011	PV-14-C1	14"	1"	144	1.00	300	600	3/12	12/12	Aluminum	2.5	20,7,20
USPPV-012	PV-14-C1	14"	1"	144	1.00	300	600	3/12	12/12	Black	2.5	20,7,20
USPPV-013	PV-14-C1	14"	1"	144	1.00	300	600	3/12	12/12	White	2.5	20,7,20
USPPV-014	PV-14-C1	14"	1"	144	1.00	300	600	3/12	12/12	Grey	2.5	20,7,20
USPPV-015	PV-14-C1	14"	1"	144	1.00	300	600	3/12	12/12	Brown	2.5	20,7,20
USPPV-016	PV-14-C2	14"	2"	144	1.00	300	600	3/12	12/12	Aluminum	2.5	20,8,20
USPPV-017	PV-14-C2	14"	2"	144	1.00	300	600	3/12	12/12	Black	2.5	20,8,20
USPPV-018	PV-14-C2	14"	2"	144	1.00	300	600	3/12	12/12	White	2.5	20,8,20
USPPV-019	PV-14-C2	14"	2"	144	1.00	300	600	3/12	12/12	Grey	2.5	20,8,20
USPPV-020	PV-14-C2	14"	2"	144	1.00	300	600	3/12	12/12	Brown	2.5	20,8,20
USPPV-021	PV-16-C2	16"	2"	200	1.39	416	833	3/12	12/12	Aluminum	3	25,11,25
USPPV-022	PV-16-C2	16"	2"	200	1.39	416	833	3/12	12/12	Black	3	25,11,25
USPPV-023	PV-16-C2	16"	2"	200	1.39	416	833	3/12	12/12	White	3	25,11,25
USPPV-024	PV-16-C2	16"	2"	200	1.39	416	833	3/12	12/12	Grey	3	25,11,25
USPPV-025	PV-16-C2	16"	2"	200	1.39	416	833	3/12	12/12	Brown	3	25,11,25
USPPV-026	PV-18-C2	18"	2"	254	1.76	529	1058	3/12	12/12	Aluminum	3	29,11,29
USPPV-027	PV-18-C2	18"	2"	254	1.76	529	1058	3/12	12/12	Black	3	29,11,29
USPPV-028	PV-18-C2	18"	2"	254	1.76	529	1058	3/12	12/12	White	3	29,11,29
USPPV-029	PV-18-C2	18"	2"	254	1.76	529	1058	3/12	12/12	Grey	3	29,11,29
USPPV-030	PV-18-C2	18"	2"	254	1.76	529	1058	3/12	12/12	Brown	3	29,11,29
USPPV-031	PV-20-C2	20"	2"	314	2.18	654	1308	3/12	12/12	Aluminum	3	31,12,31
USPPV-032	PV-20-C2	20"	2"	314	2.18	654	1308	3/12	12/12	Black	3	31,12,31
USPPV-033	PV-20-C2	20"	2"	314	2.18	654	1308	3/12	12/12	White	3	31,12,31
USPPV-034	PV-20-C2	20"	2"	314	2.18	654	1308	3/12	12/12	Grey	3	31,12,31
USPPV-035	PV-20-C2	20"	2"	314	2.18	654	1308	3/12	12/12	Brown	3	31,12,31
USPPV-036	PV-24-C2	24"	2"	452	3.14	941	1883	3/12	12/12	Aluminum	3	37,13,37
USPPV-037	PV-24-C2	24"	2"	452	3.14	941	1883	3/12	12/12	Black	3	37,13,37
USPPV-038	PV-24-C2	24"	2"	452	3.14	941	1883	3/12	12/12	White	3	37,13,37
USPPV-039	PV-24-C2	24"	2"	452	3.14	941	1883	3/12	12/12	Grey	3	37,13,37
USPPV-040	PV-24-C2	24"	2"	452	3.14	941	1883	3/12	12/12	Brown	3	37,13,37

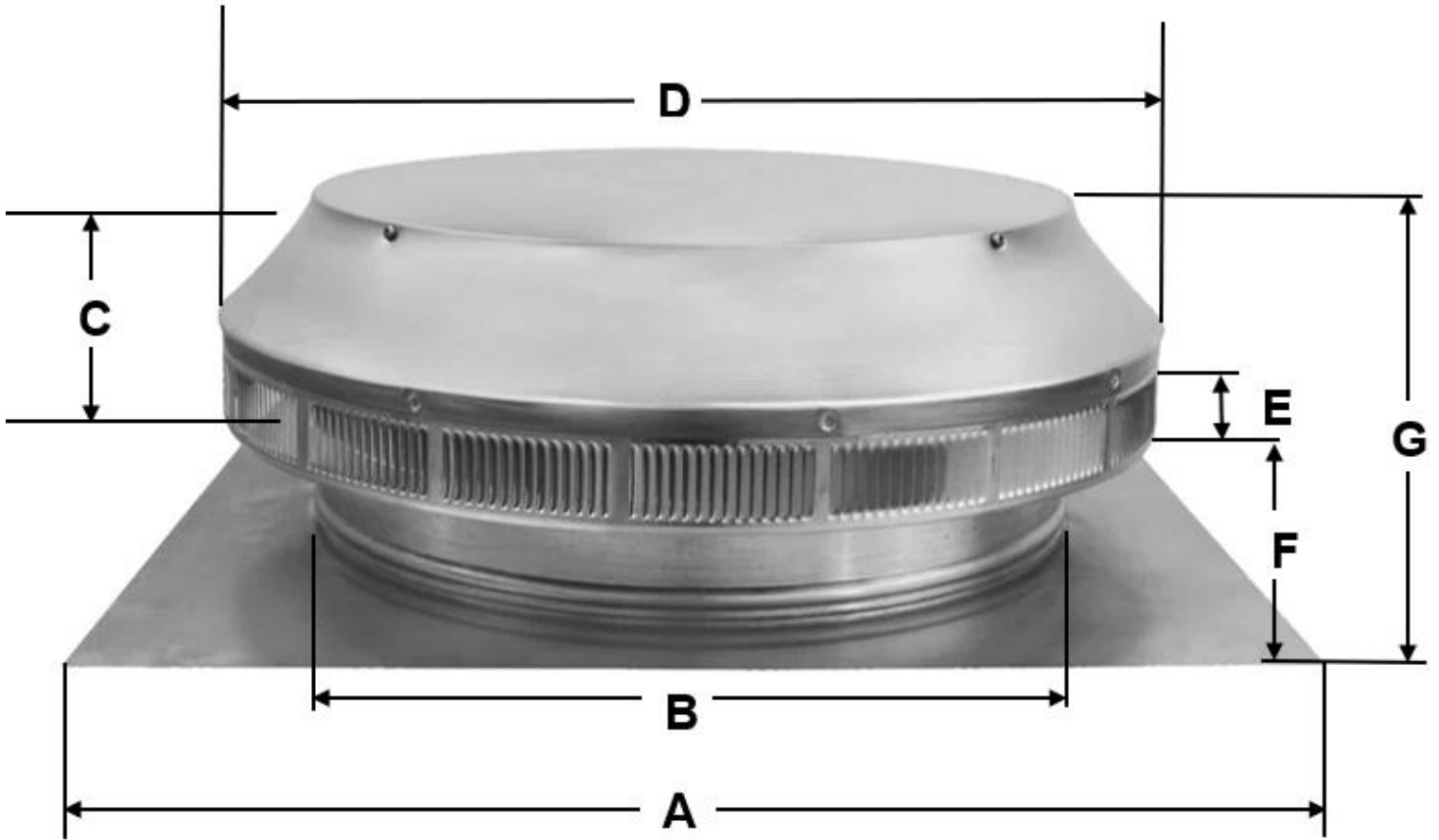


PopVent

Data Sheet

Dimensions (In.) of Residential Roof Louver for Air Exhaust, PopVent.

Series		A	B	C	D	E	F	G
USPPV-001-005	PV-12-C1	17	12	3 ¼	16	1	1 ¾	6
USPPV-006-010	PV-12-C2	17	12	3	16	1	3	7
USPPV-011-015	PV-14-C1	19	14	3 ¼	18	1	1 ½	6
USPPV-016-020	PV-14-C2	19	14	3 ¼	18	1	3	7 ¼
USPPV-021-025	PV-16-C2	24	16	5 ½	22	1	3	10
USPPV-026-030	PV-18-C2	28	18	5 ½	26	1	2 ½	10
USPPV-031-035	PV-20-C2	30	20	6 ½	28	1	3 ½	11 ¼
USPPV-036-040	PV-24-C2	36	24	7 ½	34	1	3 ¾	12

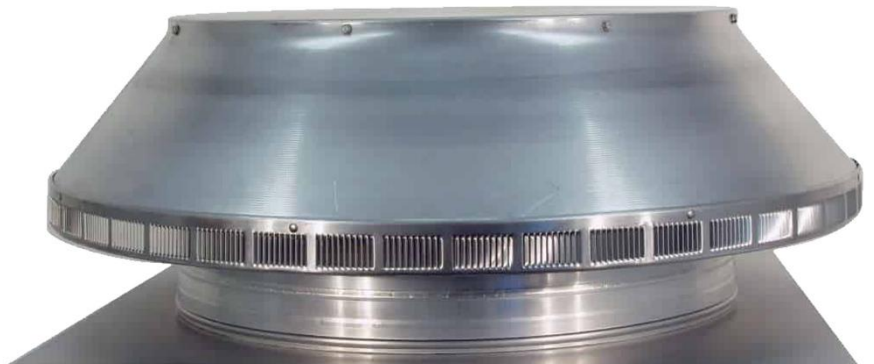




PopVent

Data Sheet

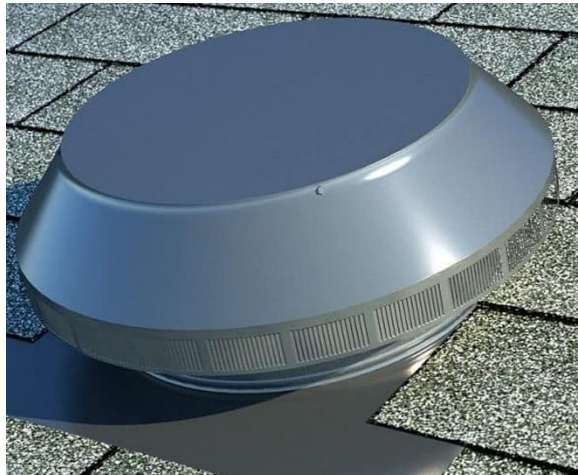
Gallery Image of Residential Roof Louver for Air Exhaust, PopVent.





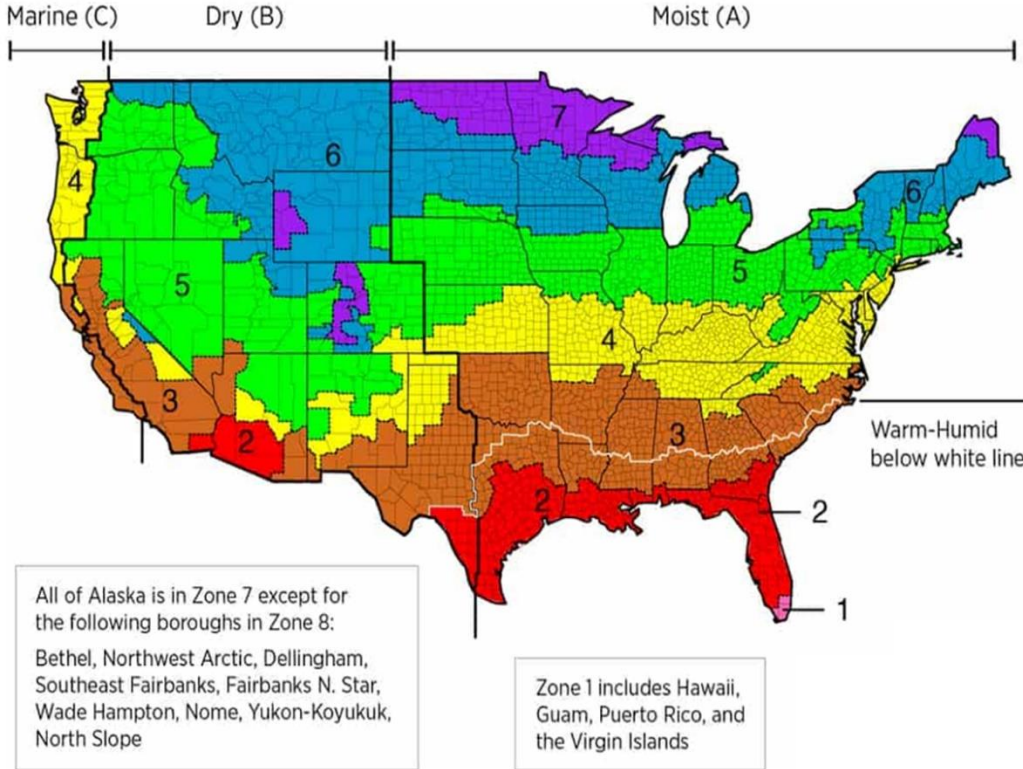
PopVent

Data Sheet





Exhaust Vent Clearance For All Climates



Source: US Office Of Energy Efficiency & Renewable Energy

Exhaust Roof Vent Clearance

How much clearance (vent height) your **roof vent** needs depends on the **pitch of your roof** and the **climate zone** you live in.

These applications are for when Exhaust Vents are installed less than **2 feet** below the peak of the roof.

3/12 roof pitch or greater:

- **1" or 2"** tall collar is recommended for **all climate zones 1 - 8**

2/12 roof pitch or less:

- **4" tall** collar in **zones 1 and 2**
- **6" tall** collar for **zones 3 and 4**
- **8" tall** collar for **zones 5 and 6**
- **11" or 12" tall** collar for **zones 7 and 8**

Bear in mind, you can always use taller collars for additional clearance in warmer zones, but you can't use shorter collars in colder zones when dealing with **low slope roofs**. Custom collar heights are available.

ID	Author	Description Error	Description Update	Supervisor Name
V1	Marcela Roldán	Technical Sheet Nueva	Technical Sheet Nueva	J.L.