



### General Characteristics of MCD Series Medium Stand Industrial Direct Drive Blowers

This MCD Series, comes with totally enclosed motors and a medium height stand.  
 Can be used in industrial or commercial areas.  
 For indoor use.  
 Used for cooling and high-volume air movement.  
 The blades are made of cast aluminum; the body and stand are made from 14-gauge steel.  
 This product comes with the option of an acid resistant coating.  
 Finished off with a baked enamel coating.  
 The medium stand units have a 360° swivel  
 Single phase motors are field convertible 115V/230V.  
 Three phase motors are field convertible 230V/460V.  
 Motors are set to lower voltage at the factory unless a request is made at the time of order to set to the higher voltage.  
 Note: products listed are custom built and subject to 100% cancellation/restocking charges.  
 The MCD Series meets OSHA requirements.



### Product Applications of MCD Series Medium Stand Industrial Direct Drive Blowers

For industrial and commercial use.  
 Used for cooling factories, shops, bakeries, loading docks, laundries, gymnasiums, warehouses, aircraft hangars, and virtually any place a high volume of air movement is required.  
 For indoor use.

### Warranty of MCD Series Medium Stand Industrial Direct Drive Blowers

Manufacturer's Warranty: 1 year.

### Specific Characteristics of MCD Series Medium Stand Industrial Direct Drive Blowers

Item #	Manufacturing #	Size Ø(In.)	CFM	Volts	Amperes A	Phases Ph	HP	RPM	DB'S	Stand Type	Weight and Dimensions with Packaging	
											Lbs.	L,W,H In.
<b>USMSB-001</b>	MCD18-1/4-M TEC	18	3050	115/230	2.25/1.13	1	1/4	1725	74	Medium Stand	147	34,25,40
<b>USMSB-002</b>	MCD18-1/4-M-3 TEC	18	3050	230/460	0.73/0.36	3	1/4	1725	74	Medium Stand	147	34,25,40
<b>USMSB-003</b>	MCD18-1/3-M TEC	18	3450	115/230	2.97/1.49	1	1/3	1725	76	Medium Stand	152	34,25,40
<b>USMSB-004</b>	MCD18-1/3-M-3 TEC	18	3450	230/460	0.95/0.74	3	1/3	1725	76	Medium Stand	152	34,25,40
<b>USMSB-005</b>	MCD18-1-M TEC	18	4600	115/230	9.01/4.5	1	1	1725	77	Medium Stand	167	34,25,40
<b>USMSB-006</b>	MCD18-1-M-3 TEC	18	4600	230/460	2.89/1.45	3	1	1725	77	Medium Stand	167	34,25,40

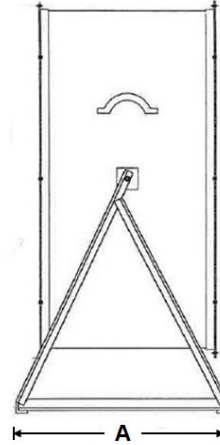
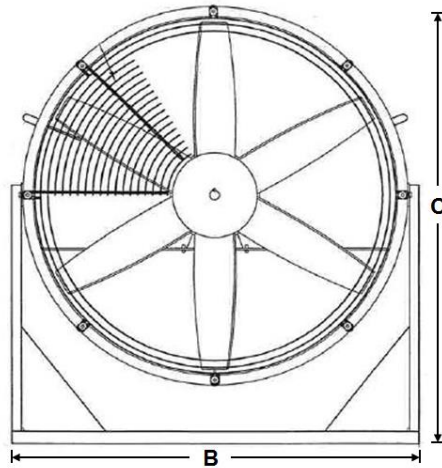


Item #	Manufacturing #	Size Ø(In.)	CFM	Volts	Amperes A	Phases Ph	HP	RPM	DB'S	Stand Type	Weight and Dimensions with Packaging	
											Lbs.	L,W,H In.
USMSB-007	MCD24-1/4-M TEC	24	5200	115/230	2.25/1.13	1	1/4	1725	80	Medium Stand	167	34,31,43
USMSB-008	MCD24-1/4-M-3 TEC	24	5200	230/460	0.73/0.36	3	1/4	1725	80	Medium Stand	167	34,31,43
USMSB-009	MCD24-1/3-M TEC	24	5300	115/230	2.97/1.49	1	1/3	1140	74	Medium Stand	177	34,31,43
USMSB-010	MCD24-1/3-M-3 TEC	24	5300	230/460	0.95/0.74	3	1/3	1140	74	Medium Stand	177	34,31,43
USMSB-011	MCD24-1/2-M TEC	24	6000	115/230	4.5/2.25	1	1/2	1725	80	Medium Stand	172	34,31,43
USMSB-012	MCD24-1/2-M-3 TEC	24	6000	230/460	1.45/0.73	3	1/2	1725	80	Medium Stand	172	34,31,43
USMSB-013	MCD24-3/4-M TEC	24	6900	115/230	6.76/3.38	1	3/4	1140	74	Medium Stand	192	34,31,43
USMSB-014	MCD24-3/4-M-3 TEC	24	6900	230/460	2.16/1.09	3	3/4	1140	74	Medium Stand	192	34,31,43
USMSB-015	MCD24-1-M TEC	24	7400	115/230	9.01/4.5	1	1	1725	82	Medium Stand	182	34,31,43
USMSB-016	MCD24-1-M-3 TEC	24	7400	230/460	2.89/1.45	3	1	1725	82	Medium Stand	182	34,31,43
USMSB-017	MCD24-1 1/2-M TEC	24	8200	115/230	13.5/6.76	1	1 1/2	1725	84	Medium Stand	192	34,31,43
USMSB-018	MCD24-1 1/2-M-3 TEC	24	8200	230/460	4.34/2.16	3	1 1/2	1725	84	Medium Stand	192	34,31,43
USMSB-019	MCD24-3-M TEC	24	10500	230/460	8.68/4.34	3	3	1725	87	Medium Stand	215	34,31,43
USMSB-020	MCD30-1/3-M TEC	30	6900	115/230	2.97/1.49	1	1/3	1140	80	Medium Stand	210	34,37,46
USMSB-021	MCD30-1/3-M-3 TEC	30	6900	230/460	0.95/0.74	3	1/3	1140	80	Medium Stand	210	34,37,46
USMSB-022	MCD30-1/2-M TEC	30	8900	115/230	4.5/2.25	1	1/2	1725	86	Medium Stand	197	34,37,46
USMSB-023	MCD30-1/2-M-3 TEC	30	8900	230/460	1.45/0.73	3	1/2	1725	86	Medium Stand	197	34,37,46
USMSB-024	MCD30-3/4-M TEC	30	10400	115/230	6.76/3.38	1	3/4	1140	80	Medium Stand	265	34,37,46
USMSB-025	MCD30-3/4-M-3 TEC	30	10400	230/460	2.16/1.09	3	3/4	1140	80	Medium Stand	265	34,37,46
USMSB-026	MCD30-1-M TEC	30	11200	115/230	9.01/4.5	1	1	1140	81	Medium Stand	265	34,37,46
USMSB-027	MCD30-1-M-3 TEC	30	11200	230/460	2.89/1.45	3	1	1140	81	Medium Stand	265	34,37,46
USMSB-028	MCD30-1 1/2-M TEC	30	12000	115/230	13.5/6.76	1	1 1/2	1725	92	Medium Stand	255	34,37,46
USMSB-029	MCD30-1 1/2-M-3 TEC	30	12000	230/460	4.34/2.16	3	1 1/2	1725	92	Medium Stand	255	34,37,46
USMSB-030	MCD30-2-M-3 TEC	30	14000	230/460	5.78/2.89	3	2	1140	84	Medium Stand	275	34,37,46
USMSB-031	MCD30-3-M-3 TEC	30	16000	230/460	8.68/4.34	3	3	1725	94	Medium Stand	270	34,37,46
USMSB-032	MCD36-1-M TEC	36	13000	115/230	9.01/4.5	1	1	1140	82	Medium Stand	325	34,43,47
USMSB-033	MCD36-1-M-3 TEC	36	13000	230/460	2.89/1.45	3	1	1140	82	Medium Stand	325	34,43,47
USMSB-034	MCD36-1 1/2-M TEC	36	14850	115/230	13.5/6.76	1	1 1/2	1725	88	Medium Stand	325	34,43,47
USMSB-035	MCD36-1 1/2-M-3 TEC	36	14850	230/460	4.34/2.16	3	1 1/2	1725	88	Medium Stand	325	34,43,47
USMSB-036	MCD36-2-M-3 TEC	36	17500	230/460	5.78/2.89	3	2	1140	82	Medium Stand	330	34,43,47
USMSB-037	MCD36-3-M-3 TEC	36	18500	230/460	8.68/4.34	3	3	1725	90	Medium Stand	335	34,43,47
USMSB-038	MCD36-5-M-3 TEC	36	23000	230/460	14.5/7.23	3	5	1725	94	Medium Stand	335	34,43,47
USMSB-039	MCD42-2-M-3 TEC	42	19500	230/460	5.78/2.89	3	2	1140	85	Medium Stand	420	34,49,50
USMSB-040	MCD42-5-M-3 TEC	42	27000	230/460	14.5/7.23	3	5	1725	98	Medium Stand	425	34,49,50
USMSB-041	MCD48-5-M-3 TEC	48	32000	230/460	14.5/7.23	3	5	1140	92	Medium Stand	625	34,55,63
USMSB-042	MCD48-7 1/2-M-3 TEC	48	37000	230/460	21.6/10.8	3	7 1/2	1140	105	Medium Stand	750	34,55,63
USMSB-043	MCD48-10-M-3 TEC	48	41000	230/460	28.9/14.5	3	10	1140	105	Medium Stand	805	34,55,63
USMSB-044	MCD60-3-M-3 TEC	60	35000	230/460	8.68/4.34	3	3	690	87	Medium Stand	860	58,69,89
USMSB-045	MCD60-5-M-3 TEC	60	45000	230/460	14.5/7.23	3	5	690	87	Medium Stand	900	58,69,89
USMSB-046	MCD60-7 1/2-M-3 TEC	60	47000	230/460	21.6/10.8	3	7 1/2	870	90	Medium Stand	1115	58,69,89
USMSB-047	MCD60-10-M-3 TEC	60	57200	230/460	28.9/14.5	3	10	870	91	Medium Stand	1205	58,69,89
USMSB-048	MCD60-15-M-3 TEC	60	60750	230/460	43.4/21.6	3	15	870	92	Medium Stand	1250	58,69,89



**Dimensions (In.) of MCD Series Medium Stand Industrial Direct Drive Blowers**

Series	Length A	Width B	Height C
USMSB-001 to 006	32"	23 1/2"	38"
USMSB-007 to 019	32"	29 1/2"	41"
USMSB-020 to 031	32"	35 1/2"	44"
USMSB-032 to 038	32"	41 1/2"	47"
USMSB-039 & 040	32"	47 1/2"	50"
USMSB-041 to 043	32"	53 1/2"	61 1/2"
USMSB-044 to 048	56"	67"	87 1/2"



**Short Description of MCD Series Medium Stand Industrial Direct Drive Blowers**

Item #	Manufacturing #	Short Description 70 Characters Maximum											
		012345678901234567890123456789012345678901234567890123456789											
<b>USMSB-001</b>	MCD18-1/4-M TEC	18"Ø, 3050CFM, 115/230V, 2.25/1.13A, 1Ph, 1/4HP Totally Enclosed Motor, 1725RPM, 74DB'S, Medium Stand.											
<b>USMSB-002</b>	MCD18-1/4-M-3 TEC	18"Ø, 3050CFM, 230/460V, 0.73/0.36A, 3Ph, 1/4HP Totally Enclosed Motor, 1725RPM, 74DB'S, Medium Stand.											
<b>USMSB-003</b>	MCD18-1/3-M TEC	18"Ø, 3450CFM, 115/230V, 2.97/1.49A, 1Ph, 1/3HP Totally Enclosed Motor, 1725RPM, 76DB'S, Medium Stand.											
<b>USMSB-004</b>	MCD18-1/3-M-3 TEC	18"Ø, 3450CFM, 230/460V, 0.95/0.74A, 3Ph, 1/3HP Totally Enclosed Motor, 1725RPM, 76DB'S, Medium Stand.											
<b>USMSB-005</b>	MCD18-1-M TEC	18"Ø, 4600CFM, 115/230V, 9.01/4.5A, 1Ph, 1HP Totally Enclosed Motor, 1725RPM, 77DB'S, Medium Stand.											
<b>USMSB-006</b>	MCD18-1-M-3 TEC	18"Ø, 4600CFM, 230/460V, 2.89/1.45A, 3Ph, 1HP Totally Enclosed Motor, 1725RPM, 77DB'S, Medium Stand.											
<b>USMSB-007</b>	MCD24-1/4-M TEC	24"Ø, 5200CFM, 115/230V, 2.25/1.13A, 1Ph, 1/4HP Totally Enclosed Motor, 1725RPM, 80DB'S, Medium Stand.											
<b>USMSB-008</b>	MCD24-1/4-M-3 TEC	24"Ø, 5200CFM, 230/460V, 0.73/0.36A, 3Ph, 1/4HP Totally Enclosed Motor, 1725RPM, 80DB'S, Medium Stand.											
<b>USMSB-009</b>	MCD24-1/3-M TEC	24"Ø, 5300CFM, 115/230V, 2.97/1.49A, 1Ph, 1/3HP Totally Enclosed Motor, 1140RPM, 74DB'S, Medium Stand.											
<b>USMSB-010</b>	MCD24-1/3-M-3 TEC	24"Ø, 5300CFM, 230/460V, 0.95/0.74A, 3Ph, 1/3HP Totally Enclosed Motor, 1140RPM, 74DB'S, Medium Stand.											



Item #	Manufacturing #	Short Description 70 Characters Maximum
		012345678901234567890123456789012345678901234567890123456789
<b>USMSB-011</b>	MCD24-1/2-M TEC	24"Ø, 6000CFM, 115/230V, 4.5/2.25A, 1Ph, 1/2HP Totally Enclosed Motor, 1725RPM, 80DB'S, Medium Stand.
<b>USMSB-012</b>	MCD24-1/2-M-3 TEC	24"Ø, 6000CFM, 230/460V, 1.45/0.73A, 3Ph, 1/2HP Totally Enclosed Motor, 1725RPM, 80DB'S, Medium Stand.
<b>USMSB-013</b>	MCD24-3/4-M TEC	24"Ø, 6900CFM, 115/230V, 6.76/3.38A, 1Ph, 3/4HP Totally Enclosed Motor, 1140RPM, 74DB'S, Medium Stand.
<b>USMSB-014</b>	MCD24-3/4-M-3 TEC	24"Ø, 6900CFM, 230/460V, 2.16/1.09A, 3Ph, 3/4HP Totally Enclosed Motor, 1140RPM, 74DB'S, Medium Stand.
<b>USMSB-015</b>	MCD24-1-M TEC	24"Ø, 7400CFM, 115/230V, 9.01/4.5A, 1Ph, 1HP Totally Enclosed Motor, 1725RPM, 82DB'S, Medium Stand.
<b>USMSB-016</b>	MCD24-1-M-3 TEC	24"Ø, 7400CFM, 230/460V, 2.89/1.45A, 3Ph, 1HP Totally Enclosed Motor, 1725RPM, 82DB'S, Medium Stand.
<b>USMSB-017</b>	MCD24-1 1/2-M TEC	24"Ø, 8200CFM, 115/230V, 13.5/6.76A, 1Ph, 1 1/2HP Totally Enclosed Motor, 1725RPM, 84DB'S, Medium Stand.
<b>USMSB-018</b>	MCD24-1 1/2-M-3 TEC	24"Ø, 8200CFM, 230/460V, 4.34/2.16A, 3Ph, 1 1/2HP Totally Enclosed Motor, 1725RPM, 84DB'S, Medium Stand.
<b>USMSB-019</b>	MCD24-3-M-3 TEC	24"Ø, 10500CFM, 230/460V, 8.68/4.34A, 3Ph, 3HP Totally Enclosed Motor, 1725RPM, 87DB'S, Medium Stand.
<b>USMSB-020</b>	MCD30-1/3-M TEC	30"Ø, 6900CFM, 115/230V, 2.97/1.49A, 1Ph, 1/3HP Totally Enclosed Motor, 1140RPM, 80DB'S, Medium Stand.
<b>USMSB-021</b>	MCD30-1/3-M-3 TEC	30"Ø, 6900CFM, 230/460V, 0.95/0.74A, 3Ph, 1/3HP Totally Enclosed Motor, 1140RPM, 80DB'S, Medium Stand.
<b>USMSB-022</b>	MCD30-1/2-M TEC	30"Ø, 8900CFM, 115/230V, 4.5/2.25A, 1Ph, 1/2HP Totally Enclosed Motor, 1725RPM, 86DB'S, Medium Stand.
<b>USMSB-023</b>	MCD30-1/2-M-3 TEC	30"Ø, 8900CFM, 230/460V, 1.45/0.73A, 3Ph, 1/2HP Totally Enclosed Motor, 1725RPM, 86DB'S, Medium Stand.
<b>USMSB-024</b>	MCD30-3/4-M TEC	30"Ø, 10400CFM, 115/230V, 6.76/3.38A, 1Ph, 3/4HP Totally Enclosed Motor, 1140RPM, 80DB'S, Medium Stand.
<b>USMSB-025</b>	MCD30-3/4-M-3 TEC	30"Ø, 10400CFM, 230/460V, 2.16/1.09A, 3Ph, 3/4HP Totally Enclosed Motor, 1140RPM, 80DB'S, Medium Stand.
<b>USMSB-026</b>	MCD30-1-M TEC	30"Ø, 11200CFM, 115/230V, 9.01/4.5A, 1Ph, 1HP Totally Enclosed Motor, 1140RPM, 81DB'S, Medium Stand.
<b>USMSB-027</b>	MCD30-1-M-3 TEC	30"Ø, 11200CFM, 230/460V, 2.89/1.45A, 3Ph, 1HP Totally Enclosed Motor, 1140RPM, 81DB'S, Medium Stand.
<b>USMSB-028</b>	MCD30-1 1/2-M TEC	30"Ø, 12000CFM, 115/230V, 13.5/6.76A, 1Ph, 1 1/2HP Totally Enclosed Motor, 1725RPM, 92DB'S, Medium Stand.
<b>USMSB-029</b>	MCD30-1 1/2-M-3 TEC	30"Ø, 12000CFM, 230/460V, 4.34/2.16A, 3Ph, 1 1/2HP Totally Enclosed Motor, 1725RPM, 92DB'S, Medium Stand.
<b>USMSB-030</b>	MCD30-2-M-3 TEC	30"Ø, 14000CFM, 230/460V, 5.78/2.89A, 3Ph, 2HP Totally Enclosed Motor, 1140RPM, 84DB'S, Medium Stand.
<b>USMSB-031</b>	MCD30-3-M-3 TEC	30"Ø, 16000CFM, 230/460V, 8.68/4.34A, 3Ph, 3HP Totally Enclosed Motor, 1725RPM, 94DB'S, Medium Stand.
<b>USMSB-032</b>	MCD36-1-M TEC	36"Ø, 13000CFM, 115/230V, 9.01/4.5A, 1Ph, 1HP Totally Enclosed Motor, 1140RPM, 82DB'S, Medium Stand.
<b>USMSB-033</b>	MCD36-1-M-3 TEC	36"Ø, 13000CFM, 230/460V, 2.89/1.45A, 3Ph, 1HP Totally Enclosed Motor, 1140RPM, 82DB'S, Medium Stand.
<b>USMSB-034</b>	MCD36-1 1/2-M TEC	36"Ø, 14850CFM, 115/230V, 13.5/6.76A, 1Ph, 1 1/2HP Totally Enclosed Motor, 1725RPM, 88DB'S, Medium Stand.
<b>USMSB-035</b>	MCD36-1 1/2-M-3 TEC	36"Ø, 14850CFM, 230/460V, 4.34/2.16A, 3Ph, 1 1/2HP Totally Enclosed Motor, 1725RPM, 88DB'S, Medium Stand.
<b>USMSB-036</b>	MCD36-2-M-3 TEC	36"Ø, 17500CFM, 230/460V, 5.78/2.89A, 3Ph, 2HP Totally Enclosed Motor, 1140RPM, 82DB'S, Medium Stand.
<b>USMSB-037</b>	MCD36-3-M-3 TEC	36"Ø, 18500CFM, 230/460V, 8.68/4.34, 3Ph, 3HP Totally Enclosed Motor, 1725RPM, 90DB'S, Medium Stand.



Item #	Manufacturing #	Short Description 70 Characters Maximum		
		0123456789012345678901234567890123456789012345678901234567890123456789		
<b>USMSB-038</b>	MCD36-5-M-3 TEC	36"Ø, 23000CFM, 230/460V, 14.5/7.23A, 3Ph, 5HP Totally Enclosed Motor, 1725RPM, 94DB'S, Medium Stand.		
<b>USMSB-039</b>	MCD42-2-M-3 TEC	42"Ø, 19500CFM, 230/460V, 5.78/2.89A, 3Ph, 2HP Totally Enclosed Motor, 1140RPM, 85DB'S, Medium Stand.		
<b>USMSB-040</b>	MCD42-5-M-3 TEC	42"Ø, 27000CFM, 230/460V, 14.5/7.23A, 3Ph, 5HP Totally Enclosed Motor, 1725RPM, 98DB'S, Medium Stand.		
<b>USMSB-041</b>	MCD48-5-M-3 TEC	48"Ø, 32000CFM, 230/460V, 14.5/7.23A, 3Ph, 5HP Totally Enclosed Motor, 1140RPM, 92DB'S, Medium Stand.		
<b>USMSB-042</b>	MCD48-7 1/2-M-3 TEC	48"Ø, 37000CFM, 230/460V, 21.6/10.8A, 3Ph, 7 1/2HP Totally Enclosed Motor, 1140RPM, 105DB'S, Medium Stand.		
<b>USMSB-043</b>	MCD48-10-M-3 TEC	48"Ø, 41000CFM, 230/460V, 28.9/14.5A, 3Ph, 10HP Totally Enclosed Motor, 1140RPM, 105DB'S, Medium Stand.		
<b>USMSB-044</b>	MCD60-3-M-3 TEC	60"Ø, 35000CFM, 230/460V, 8.68/4.34A, 3Ph, 3HP Totally Enclosed Motor, 690RPM, 87DB'S, Medium Stand.		
<b>USMSB-045</b>	MCD60-5-M-3 TEC	60"Ø, 45000CFM, 230/460V, 14.5/7.23A, 3Ph, 5HP Totally Enclosed Motor, 690RPM, 87DB'S, Medium Stand.		
<b>USMSB-046</b>	MCD60-7 1/2-M-3 TEC	60"Ø, 47000CFM, 230/460V, 21.6/10.8A, 3Ph, 7 1/2HP Totally Enclosed Motor, 870RPM, 90DB'S, Medium Stand.		
<b>USMSB-047</b>	MCD60-10-M-3 TEC	60"Ø, 57200CFM, 230/460V, 28.9/14.5A, 3Ph, 10HP Totally Enclosed Motor, 870RPM, 91DB'S, Medium Stand.		
<b>USMSB-048</b>	MCD60-15-M-3 TEC	60"Ø, 60750CFM, 230/460V, 43.4/21.64A, 3Ph, 15HP Totally Enclosed Motor, 870RPM, 92DB'S, Medium Stand.		

SEO Table of MCD Series Medium Stand Industrial Direct Drive Blowers	
Title	
TPI MCD Series Medium Stand Industrial Direct Drive Blowers.	
Meta Description	
TPI MCD Series Medium Stand Industrial Direct Drive Blowers for Industrial Use, TPI MCD Series Medium Stand Industrial Direct Drive Blowers for Commercial use, TPI MCD Series Medium Stand Industrial Direct Drive Blowers for Indoor Use, TPI MCD Series Medium Stand Industrial Direct Drive Blowers for Cooling Use, TPI MCD Series Medium Stand Industrial Direct Drive Blowers for High Air Volume Movement	
Meta Key Words	
TPI MCD Series Medium Stand Industrial Direct Drive Blowers for Industrial Use, TPI MCD Series Medium Stand Industrial Direct Drive Blowers for Commercial use, TPI MCD Series Medium Stand Industrial Direct Drive Blowers for Indoor Use, TPI MCD Series Medium Stand Industrial Direct Drive Blowers for Cooling Use, TPI MCD Series Medium Stand Industrial Direct Drive Blowers for High Air Volume Movement	
Meta URL (file name)	
tpi-mcd-series-medium-stand-industrial-direct-drive-blowers-us-english.htm	

Product Line Description of MCD Series Medium Stand Industrial Direct Drive Blowers
<FONT Size=1> <b>Type:</b> TPI MCD Series Medium Stand Industrial Direct Drive Blowers                      <b>Drive Type:</b> Direct Drive                      <b>Motor Type:</b> Totally Enclosed                      <b>Manufacturer:</b> TPI                      <b>Model Series:</b> MCD                      <b>Voltage:</b> 115/230 or 230/460V                      <b>Horse Power:</b> 1/4 to 15HP                      <b>Diameters:</b> 18" to 60"                      <b>Air Flow:</b> 3050 to 60750CFM                      <b>Ship By:</b> Free LTL Freight                      </FONT>