



General Characteristics of MCD Series Low Stand Industrial Direct Drive Blowers

The MCD Series motors have totally enclosed motors.
 Can be used in industrial or commercial areas.
 For indoor use.
 Used for cooling and high-volume air movement.
 The blades are made of cast aluminum; the body and stand are made from 14-gauge steel.
 This product comes with the option of an acid resistant coating.
 For safety, these units are designed with spiral wire front and rear guards.
 Finished off with a baked enamel coating.
 Single phase motors are field convertible 115V/230V.
 Three phase motors are field convertible 230V/460V.
 Motors are set to lower voltage at the factory unless a request is made at the time of order to set to the higher voltage.
 Note: products listed are custom built and subject to 100% cancellation/restocking charges.
 The MCD Series meets OSHA guard requirements.
 Imported to TPI specifications.



Product Applications of MCD Series Low Stand Industrial Direct Drive Blowers

For industrial and commercial use.
 Used for cooling factories, shops, bakeries, loading docks, laundries, gymnasiums, warehouses, aircraft hangars, and virtually any place a high volume of air movement is required.
 For indoor use.

Warranty of MCD Series Low Stand Industrial Direct Drive Blowers

Manufacturer's Warranty: 1 year.

Specific Characteristics of MCD Series Low Stand Industrial Direct Drive Blowers

Item #	Manufacturing #	Size Ø(In.)	CFM	Volts	Amperes A	Phases Ph	HP	RPM	DB'S	Stand Type	Weight and Dimensions with Packaging	
											Lbs.	L,W,H In.
USLSB-001	MCD18-1/4-L TEC	18	3050	115/230	2.25/1.13	1	1/4	1725	74	Low Stand	105	22,20,23
USLSB-002	MCD18-1/4-L-3 TEC	18	3050	230/460	0.73/0.36	3	1/4	1725	74	Low Stand	105	22,20,23
USLSB-003	MCD18-1/3-L TEC	18	3450	115/230	2.97/1.49	1	1/3	1725	76	Low Stand	107	22,20,23
USLSB-004	MCD18-1/3-L-3 TEC	18	3450	230/460	0.95/0.74	3	1/3	1725	76	Low Stand	107	22,20,23
USLSB-005	MCD18-1-L TEC	18	4600	115/230	9.01/4.5	1	1	1725	77	Low Stand	235	22,20,23
USLSB-006	MCD18-1-L-3 TEC	18	4600	230/460	2.89/1.45	3	1	1725	77	Low Stand	235	22,20,23
USLSB-007	MCD24-1/4-L TEC	24	5200	115/230	2.25/1.13	1	1/4	1725	80	Low Stand	235	22,26,29

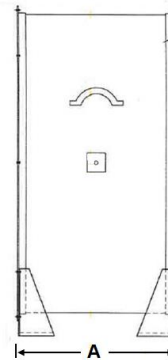
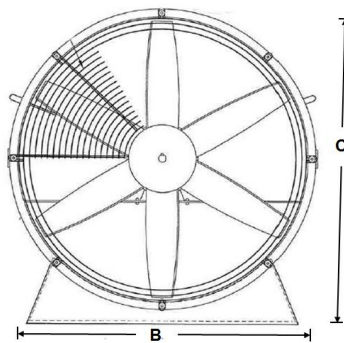


Item #	Manufacturing #	Size Ø(In.)	CFM	Volts V	Amperes A	Phases Ph	HP	RPM	DB'S	Stand Type	Weight and Dimensions with Packaging	
											Lbs.	L,W,H In.
USLSB-008	MCD24-1/4-L-3 TEC	24	5200	230/460	0.73/0.36	3	1/4	1725	80	Low Stand	235	22,26,29
USLSB-009	MCD24-1/3-L TEC	24	5300	115/230	2.97/1.49	1	1/3	1140	74	Low Stand	255	22,26,29
USLSB-010	MCD24-1/3-L-3 TEC	24	5300	230/460	0.95/0.74	3	1/3	1140	74	Low Stand	255	22,26,29
USLSB-011	MCD24-1/2-L TEC	24	6000	115/230	4.5/2.25	1	1/2	1725	80	Low Stand	245	22,26,29
USLSB-012	MCD24-1/2-L-3 TEC	24	6000	230/460	1.45/0.73	3	1/2	1725	80	Low Stand	245	22,26,29
USLSB-013	MCD24-3/4-L TEC	24	6900	115/230	6.76/3.38	1	3/4	1140	74	Low Stand	265	22,26,29
USLSB-014	MCD24-3/4-L-3 TEC	24	6900	230/460	2.16/1.09	3	3/4	1140	74	Low Stand	265	22,26,29
USLSB-015	MCD24-1-L TEC	24	7400	115/230	9.01/4.5	1	1	1725	82	Low Stand	255	22,26,29
USLSB-016	MCD24-1-L-3 TEC	24	7400	230/460	2.89/1.45	3	1	1725	82	Low Stand	255	22,26,29
USLSB-017	MCD24-1 1/2-L TEC	24	8200	115/230	13.5/6.76	1	1 1/2	1725	84	Low Stand	260	22,26,29
USLSB-018	MCD24-1 1/2-L-3 TEC	24	8200	230/460	4.34/2.16	3	1 1/2	1725	84	Low Stand	260	22,26,29
USLSB-019	MCD24-3-L-3 TEC	24	10500	230/460	8.68/4.34	3	3	1725	87	Low Stand	275	22,26,29
USLSB-020	MCD30-1/3-L TEC	30	6900	115/230	2.97/1.49	1	1/3	1140	80	Low Stand	265	22,29,35
USLSB-021	MCD30-1/3-L-3 TEC	30	6900	230/460	0.95/0.74	3	1/3	1140	80	Low Stand	265	22,29,35
USLSB-022	MCD30-1/2-L TEC	30	8900	115/230	4.5/2.25	1	1/2	1725	86	Low Stand	255	22,29,35
USLSB-023	MCD30-1/2-L-3 TEC	30	8900	230/460	1.45/0.73	3	1/2	1725	86	Low Stand	255	22,29,35
USLSB-024	MCD30-3/4-L TEC	30	10400	115/230	6.76/3.38	1	3/4	1140	80	Low Stand	320	22,29,35
USLSB-025	MCD30-3/4-L-3 TEC	30	10400	230/460	2.16/1.09	3	3/4	1140	80	Low Stand	320	22,29,35
USLSB-026	MCD30-1-L TEC	30	11200	115/230	9.01/4.5	1	1	1140	81	Low Stand	315	22,29,35
USLSB-027	MCD30-1-L-3 TEC	30	11200	230/460	2.89/1.45	3	1	1140	81	Low Stand	315	22,29,35
USLSB-028	MCD30-1 1/2-L TEC	30	12000	115/230	13.5/6.76	1	1 1/2	1725	92	Low Stand	315	22,29,35
USLSB-029	MCD30-1 1/2-L-3 TEC	30	12000	230/460	4.34/2.16	3	1 1/2	1725	92	Low Stand	315	22,29,35
USLSB-030	MCD30-2-L-3 TEC	30	14000	230/460	5.78/2.89	3	2	1140	84	Low Stand	335	22,29,35
USLSB-031	MCD30-3-L-3 TEC	30	16000	230/460	8.68/4.34	3	3	1725	94	Low Stand	330	22,29,35
USLSB-032	MCD36-1-L TEC	36	13000	115/230	9.01/4.5	1	1	1140	82	Low Stand	380	28,32,41
USLSB-033	MCD36-1-L-3 TEC	36	13000	230/460	2.89/1.45	3	1	1140	82	Low Stand	380	28,32,41
USLSB-034	MCD36-1 1/2-L TEC	36	14850	115/230	13.5/6.76	1	1 1/2	1725	88	Low Stand	380	28,32,41
USLSB-035	MCD36-1 1/2-L-3 TEC	36	14850	230/460	4.34/2.16	3	1 1/2	1725	88	Low Stand	380	28,32,41
USLSB-036	MCD36-2-L-3 TEC	36	17500	230/460	5.78/2.89	3	2	1140	82	Low Stand	385	28,32,41
USLSB-037	MCD36-3-L-3 TEC	36	18500	230/460	8.68/4.34	3	3	1725	90	Low Stand	395	28,32,41
USLSB-038	MCD36-5-L-3 TEC	36	23000	230/460	14.5/7.23	3	5	1725	94	Low Stand	395	28,32,41
USLSB-039	MCD42-2-L-3 TEC	42	19500	230/460	5.78/2.89	3	2	1140	85	Low Stand	570	28,36,47
USLSB-040	MCD42-5-L-3 TEC	42	27000	230/460	14.5/7.23	3	5	1725	98	Low Stand	575	28,36,47
USLSB-041	MCD48-5-L-3 TEC	48	32000	230/460	14.5/7.23	3	5	1140	92	Low Stand	715	30,38,54
USLSB-042	MCD48-7 1/2-L-3 TEC	48	37000	230/460	21.6/10.8	3	7 1/2	1140	105	Low Stand	840	30,38,54
USLSB-043	MCD48-10-L-3 TEC	48	41000	230/460	28.9/14.5	3	10	1140	105	Low Stand	895	30,38,54
USLSB-044	MCD60-3-L-3 TEC	60	35000	230/460	8.68/4.34	3	3	690	87	Low Stand	970	38,44,66
USLSB-045	MCD60-5-L-3 TEC	60	45000	230/460	14.5/7.23	3	5	690	87	Low Stand	1010	38,44,66
USLSB-046	MCD60-7 1/2-L-3 TEC	60	47000	230/460	21.6/10.8	3	7 1/2	870	90	Low Stand	1225	38,44,66
USLSB-047	MCD60-10-L-3 TEC	60	57200	230/460	28.9/14.5	3	10	870	91	Low Stand	1315	38,44,66
USLSB-048	MCD60-15-L-3 TEC	60	60750	230/460	43.4/21.6	3	15	870	92	Low Stand	1360	38,44,66



Dimensions (In.) of MCD Series Low Stand Industrial Direct Drive Blowers

Series	Length A	Width B	Height C
USLSB-001 to 006	20"	18"	21 1/2"
USLSB-007 to 019	20"	24"	27 1/2"
USLSB-020 to 031	20"	27"	33 1/2"
USLSB-032 to 038	24"	30"	39 1/2"
USLSB-039 & 040	24"	34"	45 1/2"
USLSB-041 to 043	28"	36"	52"
USLSB-044 to 048	36"	42"	64"



Short Description of MCD Series Low Stand Industrial Direct Drive Blowers

Item #	Manufacturing #	Short Description 70 Characters Maximum																											
		0123456789012345678901234567890123456789012345678901234567890123456789																											
USLSB-001	MCD 18-1/4-L TEC	18"Ø, 3050CFM, 115/230V, 2.25/1.13A, 1Ph, 1/4HP Totally Enclosed Motor, 1725RPM, 74dbs, Low Stand.																											
USLSB-002	MCD18-1/4-L-3 TEC	18"Ø, 3050CFM, 230/460V, 0.73/0.36A, 1Ph, 1/4HP Totally Enclosed Motor, 1725RPM, 74dbs, Low Stand.																											
USLSB-003	MCD18-1/3-L TEC	18"Ø, 3450CFM, 115/230V, 2.97/1.49A, 1Ph, 1/3HP Totally Enclosed Motor, 1725RPM, 76dbs, Low Stand.																											
USLSB-004	MCD18-1/3-L-3 TEC	18"Ø, 3450CFM, 230/460V, 0.95/0.74A, 3Ph, 1/3HP Totally Enclosed Motor, 1725RPM, 76dbs, Low Stand.																											
USLSB-005	MCD18-1-L TEC	18"Ø, 4600CFM, 115/230V, 9.01/4.5A, 1Ph, 1HP Totally Enclosed Motor, 1725RPM, 77dbs, Low Stand.																											
USLSB-006	MCD18-1-L-3 TEC	18"Ø, 4600CFM, 230/460V, 2.89/1.45A, 3Ph, 1HP Totally Enclosed Motor, 1725RPM, 77dbs, Low Stand.																											
USLSB-007	MCD24-1/4-L TEC	24"Ø, 5200CFM, 115/230V, 2.25/1.13A, 1Ph, 1/4HP Totally Enclosed Motor, 1725RPM, 80dbs, Low Stand.																											
USLSB-008	MCD24-1/4-L-3 TEC	24"Ø, 5200CFM, 230/460V, 0.73/0.36A, 3Ph, 1/4HP Totally enclosed Motor, 1725RPM, 80dbs, Low Stand.																											
USLSB-009	MCD24-1/3-L TEC	24"Ø, 5300CFM, 115/230V, 2.97/1.49A, 1Ph, 1/3HP Totally Enclosed Motor, 1140RPM, 74dbs, Low Stand.																											
USLSB-010	MCD24-1/3-L-3 TEC	24"Ø, 5300CFM, 230/460V, 0.95/0.74A, 3Ph, 1/3HP Totally Enclosed Motor, 1140RPM, 74dbs, Low Stand.																											
USLSB-011	MCD24-1/2-L TEC	24"Ø, 6000CFM, 115/230V, 4.5/2.25A, 1Ph, 1/2HP Totally Enclosed Motor, 1725RPM, 80dbs, Low Stand.																											
USLSB-012	MCD24-1/2-L-3 TEC	24"Ø, 6000CFM, 230/460V, 1.45/0.73A, 3Ph, 1/2HP Totally Enclosed Motor, 1725RPM, 80dbs, Low Stand.																											
USLSB-013	MCD24-3/4-L TEC	24"Ø, 6900CFM, 115/230V, 6.76/3.38A, 1Ph, 3/4HP Totally Enclosed Motor, 1140RPM, 74dbs, Low Stand.																											



Item #	Manufacturing #	Short Description 70 Characters Maximum
		012345678901234567890123456789012345678901234567890123456789
USLSB-014	MCD24-3/4-L-3 TEC	24"Ø, 6900CFM, 230/460V, 2.16/1.09A, 3Ph, 3/4HP Totally Enclosed Motor, 1140RPM, 74dbs, Low Stand.
USLSB-015	MCD24-1-L TEC	24"Ø, 7400CFM, 115/230V, 9.01/4.5A, 1Ph, 1HP Totally Enclosed Motor, 1725RPM, 82dbs, Low Stand.
USLSB-016	MCD24-1-L-3 TEC	24"Ø, 7400CFM, 230/460V, 2.89/1.45A, 3Ph, 1HP Totally Enclosed Motor, 1725RPM, 82dbs, Low Stand.
USLSB-017	MCD24-1 1/2-L TEC	24"Ø, 8200CFM, 115/230V, 13.5/6.76A, 1Ph, 1 1/2HP Totally Enclosed Motor, 1725RPM, 84dbs, Low Stand.
USLSB-018	MCD24-1 1/2-L-3 TEC	24"Ø, 8200CFM, 230/460V, 4.34/2.16A, 3Ph, 1 1/2HP Totally Enclosed Motor, 1725RPM, 84dbs, Low Stand.
USLSB-019	MCD24-3-L-3 TEC	24"Ø, 10500CFM, 230/460V, 8.68/4.34A, 3Ph, 3HP Totally Enclosed Motor, 1725RPM, 87dbs, Low Stand.
USLSB-020	MCD30-1/3-L TEC	30"Ø, 6900CFM, 115/230V, 2.97/1.49A, 1Ph, 1/3HP Totally Enclosed Motor, 1140RPM, 80dbs, Low Stand.
USLSB-021	MCD30-1/3-L-3 TEC	30"Ø, 6900CFM, 230/460V, 0.95/0.74A, 3Ph, 1/3HP Totally Enclosed Motor, 1140RPM, 80dbs, Low Stand.
USLSB-022	MCD30-1/2-L TEC	30"Ø, 8900CFM, 115/230V, 4.5/2.25A, 1Ph, 1/2HP Totally Enclosed Motor, 1725RPM, 86dbs, Low Stand.
USLSB-023	MCD30-1/2-L-3 TEC	30"Ø, 8900CFM, 230/460V, 1.45/0.73A, 3Ph, 1/2HP Totally Enclosed Motor, 1725RPM, 86dbs, Low Stand.
USLSB-024	MCD30-3/4-L TEC	30"Ø, 10400CFM, 115/230V, 6.76/.38A, 1Ph, 3/4HP Totally Enclosed Motor, 1140RPM, 80dbs, Low Stand.
USLSB-025	MCD30-3/4-L-3 TEC	30"Ø, 10400CFM, 230/460V, 2.16/1.09A, 3Ph, 3/4HP Totally Enclosed Motor, 1140RPM, 80dbs, Low Stand.
USLSB-026	MCD30-1-L TEC	30"Ø, 11200CFM, 115/230V, 9.01/4.4A, 1Ph, 1HP Totally Enclosed Motor, 1140RPM, 81dbs, Low Stand.
USLSB-027	MCD30-1-L-3 TEC	30"Ø Ø, 11200CFM, 230/460V, 2.89/1.45A, 3Ph, 1HP Totally enclosed Motor, 1140RPM, 81dbs, Low Stand.
USLSB-028	MCD30-1 1/2-L TEC	30"Ø, 12000CFM, 115/230V, 13.5/6.76A, 1Ph, 1 1/2HP Totally Enclosed Motor, 1725RPM, 92dbs, Low Stand.
USLSB-029	MCD30-1 1/2-L-3 TEC	30"Ø, 12000CFM, 230/460V, 4.34/2.16A, 3Ph, 1 1/2HP Totally Enclosed Motor, 1725RPM, 92dbs, Low Stand.
USLSB-030	MCD30-2-L-3 TEC	30"Ø, 14000CFM, 230/460V, 5.78/2.89A, 3Ph, 2HP Totally Enclosed Motor, 1140RPM, 84dbs, Low Stand.
USLSB-031	MCD30-3-L-3 TEC	30"Ø, 16000CFM, 230/460V, 8.68/4.34A, 3Ph, 3HP Totally enclosed Motor, 1725RPM, 94dbs, Low Stand.
USLSB-032	MCD36-1-L TEC	36"Ø, 13000CFM, 115/230V, 9.01/4.5A, 1Ph, 1HP Totally Enclosed Motor, 1140RPM, 82dbs, Low Stand.
USLSB-033	MCD36-1-L-3 TEC	36"Ø, 13000CFM, 230/460V, 2.89/1.45A, 3Ph, 1HP Totally Enclosed Motor, 1140RPM, 82dbs, Low Stand.
USLSB-034	MCD36-1 1/2-L TEC	36"Ø, 14850CFM, 115/230V, 13.5/6.76A, 1Ph, 1 1/2HP Totally Enclosed Motor, 1725RPM, 88dbs, Low Stand.
USLSB-035	MCD36-1 1/2-L-3 TEC	36"Ø, 14850CFM, 230/460V, 4.34/2.16A, 3Ph, 1 1/2HP Totally Enclosed Motor, 1725RPM, 88dbs, Low Stand.
USLSB-036	MCD36-2-L-3 TEC	36"Ø, 17500CFM, 230/460V, 5.78/2.89A, 3Ph, 2HP Totally Enclosed Motor, 1140RPM, 82dbs, Low Stand.
USLSB-037	MCD36-3-L-3 TEC	36"Ø, 18500CFM, 230/460V, 8.68/4.34A, 3Ph, 3HP Totally Enclosed Motor, 1725RPM, 90dbs, Low Stand.
USLSB-038	MCD36-5-L-3 TEC	36"Ø, 23000CFM, 230/460V, 14.5/7.23A, 3Ph, 5HP Totally Enclosed Motor, 1725RPM, 94dbs, Low Stand.
USLSB-039	MCD42-2-L-3 TEC	42"Ø, 19500CFM, 230/460V, 5.78/2.89A, 3Ph, 2HP Totally Enclosed Motor, 1140RPM, 85dbs, Low Stand.
USLSB-040	MCD42-5-L-3 TEC	42"Ø, 27000CFM, 230/460V, 14.5/7.23A, 3Ph, 5HP Totally Enclosed Motor, 1725RPM, 98dbs, Low Stand.



Item #	Manufacturing #	Short Description 70 Characters Maximum
		012345678901234567890123456789012345678901234567890123456789
USLSB-041	MCD48-5-L-3 TEC	48"Ø, 32000CFM, 230V/460, 14.5/7.23A, 3Ph, 5HP Totally Enclosed Motor, 1140RPM, 92dbs, Low Stand.
USLSB-042	MCD48-7 1/2-L-3 TEC	48"Ø, 37000CFM, 230/460V, 21.6/10.8A, 3Ph, 7 1/2HP Totally Enclosed Motor, 1140RPM, 105dbs, Low Stand.
USLSB-043	MCD48-10-L-3 TEC	48"Ø, 41000CFM, 230/460V, 28.9/14.5A, 3Ph, 10HP Totally Enclosed Motor, 1140RPM, 105dbs, Low Stand.
USLSB-044	MCD60-3-L-3 TEC	60"Ø, 35000CFM, 230/460V, 8.68/4.34A, 3Ph, 3HP Totally Enclosed Motor, 690RPM, 87dbs, Low Stand.
USLSB-045	MCD60-5-L-3 TEC	60"Ø, 45000CFM, 230/460V, 14.5/7.23A, 3Ph, 5HP Totally Enclosed Motor, 690RPM, 87dbs, Low Stand.
USLSB-046	MCD60-7 1/2-L-3 TEC	60"Ø, 47000CFM, 230/460V, 21.6/10.8A, 3Ph, 7 1/2HP Totally Enclosed Motor, 870RPM, 90dbs, Low Stand.
USLSB-047	MCD60-10-L-3 TEC	60"Ø, 57200CFM, 230/460V, 28.9/14.5A, 3Ph, 10HP Totally Enclosed Motor, 870RPM, 91dbs, Low Stand.
USLSB-048	MCD60-15-L-3 TEC	60"Ø, 60750CFM, 230/460V, 43.4/21.6A, 3Ph, 15HP Totally Enclosed Motor, 870RPM, 92dbs, Low Stand.

SEO Table of MCD Series Low Stand Industrial Direct Drive Blowers	
Title	
TPI MCD Series Low Stand Industrial Direct Drive Blowers.	
Meta Description	
TPI MCD Series Low Stand Industrial Direct Drive Blowers for Industrial Use, TPI MCD Series Low Stand Industrial Direct Drive Blowers for Commercial use, TPI MCD Series Low Stand Industrial Direct Drive Blowers for Indoor Use, TPI MCD Series Low Stand Industrial Direct Drive Blowers for Cooling Use, TPI MCD Series Low Stand Industrial Direct Drive Blowers for High Air Volume Movement Use, TPI MCD Series Low Stand Industrial Direct Drive Blowers for Ventilation Use.	
Meta Key Words	
TPI MCD Series Low Stand Industrial Direct Drive Blowers for Industrial Use, TPI MCD Series Low Stand Industrial Direct Drive Blowers for Commercial use, TPI MCD Series Low Stand Industrial Direct Drive Blowers for Indoor Use, TPI MCD Series Low Stand Industrial Direct Drive Blowers for Cooling Use, TPI MCD Series Low Stand Industrial Direct Drive Blowers for High Air Volume Movement Use, TPI MCD Series Low Stand Industrial Direct Drive Blowers for Ventilation Use.	
Meta URL (file name)	
tpi-mcd-series-low-stand-industrial-direct-drive-blowers-us-english.htm	

Product Line Description of MCD Series Low Stand Industrial Direct Drive Blowers
 Type: TPI MCD Series Low Stand Industrial Direct Drive Blowers Drive Type: Direct Drive Motor Type: Totally Enclosed Manufacturer: TPI Model Series: MCD Voltage: 115/230 or 230/460V Horse Power: 1/4 to 15HP Diameters: 18" to 60" Air Flow: 3050 to 60750CFM Ship By: Free LTL Freight