

General Characteristics of MCD Series High Stand Industrial Direct Drive Blowers

The MCD Series High Stand Industrial Direct Drive Blowers come with Totally Enclosed Motors.
Can be used in industrial or commercial areas.
For indoor use.
Used for cooling and moving high volumes of air at high distances.
The blades are made of cast aluminum; the body and stand are made from 14-gauge steel.
This product comes with the option of an acid resistant coating. Please call to request quote and lead time.
For Safety, the CPB Series are designed with spiral wire front and rear guards to federal OSHA standards.
Finished off with a baked enamel coating.
The High Stand units have a 360° swivel
Single phase motors are field convertible 115V/230V.
Three phase motors are field convertible 230V/460V.
Motors are set to lower voltage at the factory unless a request is made at the time of order to set to the higher voltage.
Note: products listed are custom built and subject to 100% cancellation/restocking charges. Non-Returnable.

Product Applications of MCD Series High Stand Industrial Direct Drive Blowers

For industrial and commercial use.
Used for cooling factories, shops, bakeries, loading docks, laundries, gymnasiums, warehouses, aircraft hangars, and virtually any place a high volume of air movement is required and reach high distances.
For indoor use.

Warranty of MCD Series High Stand Industrial Direct Drive Blowers

Manufacturer's Warranty: 1 year.





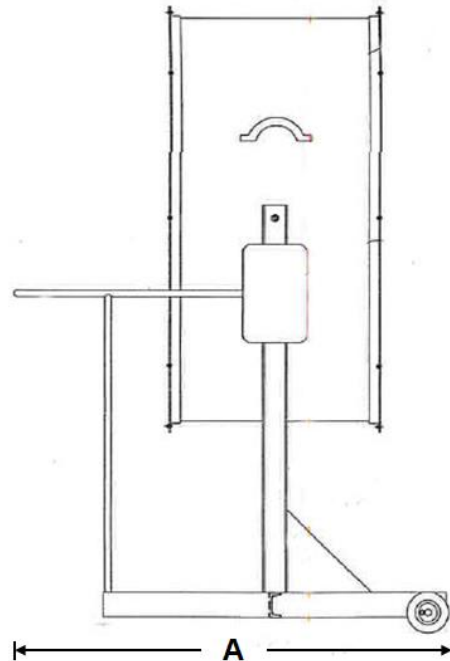
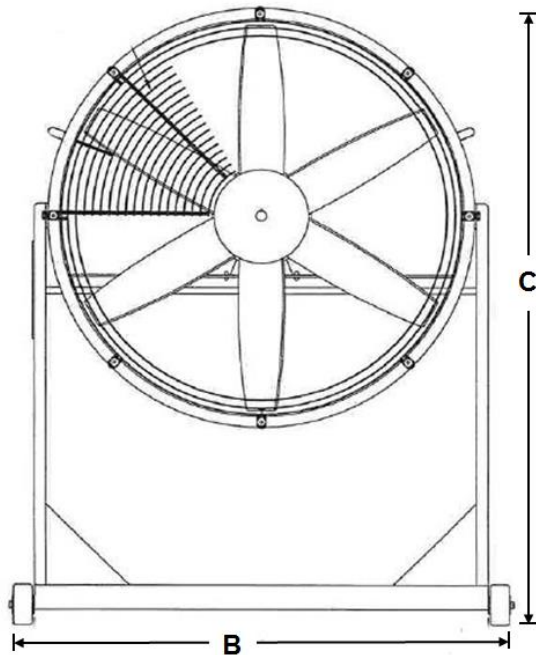
Specific Characteristics of MCD Series High Stand Industrial Direct Drive Blowers

Item #	Manufacturing #	Size Ø(In.)	CFM	Volts V	Amperes A	Phases Ph	HP	RPM	DB'S	Stand Type	Weight and Dimensions with Packaging	
											Lbs.	L,W,H In.
USHSB-001	MCD18-1/4-H TEC	18	3050	115/230	2.25/1.13	1	1/4	1725	74	High Stand	105	37,25,59
USHSB-002	MCD18-1/4-H-3 TEC	18	3050	230/460	0.73/0.36	3	1/4	1725	74	High Stand	105	37,25,59
USHSB-003	MCD18-1/3-H TEC	18	3450	115/230	2.97/1.49	1	1/3	1725	76	High Stand	107	37,25,59
USHSB-004	MCD18-1/3-H-3 TEC	18	3450	230/460	0.95/0.74	3	1/3	1725	76	High Stand	107	37,25,59
USHSB-005	MCD18-1-H TEC	18	4600	115/230	9.01/4.5	1	1	1725	77	High Stand	235	37,25,59
USHSB-006	MCD18-1-H-3 TEC	18	4600	230/460	2.89/1.45	3	1	1725	77	High Stand	235	37,25,59
USHSB-007	MCD24-1/4-H TEC	24	5200	115/230	2.25/1.13	1	1/4	1725	80	High Stand	235	37,31,59
USHSB-008	MCD24-1/4-H-3 TEC	24	5200	230/460	0.73/0.36	3	1/4	1725	80	High Stand	235	37,31,59
USHSB-009	MCD24-1/3-H TEC	24	5300	115/230	2.97/1.49	1	1/3	1140	74	High Stand	255	37,31,59
USHSB-010	MCD24-1/3-H-3 TEC	24	5300	230/460	0.95/0.74	3	1/3	1140	74	High Stand	255	37,31,59
USHSB-011	MCD24-1/2-H TEC	24	6000	115/230	4.5/2.25	1	1/2	1725	80	High Stand	245	37,31,59
USHSB-012	MCD24-1/2-H-3 TEC	24	6000	230/460	1.45/0.73	3	1/2	1725	80	High Stand	245	37,31,59
USHSB-013	MCD24-3/4-H TEC	24	6900	115/230	6.76/3.38	1	3/4	1140	74	High Stand	265	37,31,59
USHSB-014	MCD24-3/4-H-3 TEC	24	6900	230/460	2.16/1.09	3	3/4	1140	74	High Stand	265	37,31,59
USHSB-015	MCD24-1-H TEC	24	7400	115/230	9.01/4.5	1	1	1725	82	High Stand	255	37,31,59
USHSB-016	MCD24-1-H-3 TEC	24	7400	230/460	2.89/1.45	3	1	1725	82	High Stand	255	37,31,59
USHSB-017	MCD24-1 1/2-H TEC	24	8200	115/230	13.5/6.76	1	1 1/2	1725	84	High Stand	260	37,31,59
USHSB-018	MCD24-1 1/2-H-3 TEC	24	8200	230/460	4.34/2.16	3	1 1/2	1725	84	High Stand	260	37,31,59
USHSB-019	MCD24-3-H-3 TEC	24	10500	230/460	8.68/4.34	3	3	1725	87	High Stand	275	37,31,59
USHSB-020	MCD30-1/3-H TEC	30	6900	115/230	2.97/1.49	1	1/3	1140	80	High Stand	265	37,37,59
USHSB-021	MCD30-1/3-H-3 TEC	30	6900	230/460	0.95/0.74	3	1/3	1140	80	High Stand	265	37,37,59
USHSB-022	MCD30-1/2-H TEC	30	8900	115/230	4.5/2.25	1	1/2	1725	86	High Stand	255	37,37,59
USHSB-023	MCD30-1/2-H-3 TEC	30	8900	230/460	1.45/0.73	3	1/2	1725	86	High Stand	255	37,37,59
USHSB-024	MCD30-3/4-H TEC	30	10400	115/230	6.76/3.38	1	3/4	1140	80	High Stand	320	37,37,59
USHSB-025	MCD30-3/4-H-3 TEC	30	10400	230/460	2.16/1.09	3	3/4	1140	80	High Stand	320	37,37,59
USHSB-026	MCD30-1-H TEC	30	11200	115/230	9.01/4.5	1	1	1140	81	High Stand	315	37,37,59
USHSB-027	MCD30-1-H-3 TEC	30	11200	230/460	2.89/1.45	3	1	1140	81	High Stand	315	37,37,59
USHSB-028	MCD30-1 1/2-H TEC	30	12000	115/230	13.5/6.76	1	1 1/2	1725	92	High Stand	315	37,37,59
USHSB-029	MCD30-1 1/2-H-3 TEC	30	12000	230/460	4.34/2.16	3	1 1/2	1725	92	High Stand	315	37,37,59
USHSB-030	MCD30-2-H-3 TEC	30	14000	230/460	5.78/2.89	3	2	1140	84	High Stand	335	37,37,59
USHSB-031	MCD30-3-H-3 TEC	30	16000	230/460	8.68/4.34	3	3	1725	94	High Stand	330	37,37,59
USHSB-032	MCD36-1-H TEC	36	13000	115/230	9.01/4.5	1	1	1140	82	High Stand	380	37,43,59
USHSB-033	MCD36-1-H-3 TEC	36	13000	230/460	2.89/1.45	3	1	1140	82	High Stand	380	37,43,59
USHSB-034	MCD36-1 1/2-H TEC	36	14850	115/230	13.5/6.76	1	1 1/2	1725	88	High Stand	380	37,43,59
USHSB-035	MCD36-1 1/2-H-3 TEC	36	14850	230/460	4.34/2.16	3	1 1/2	1725	88	High Stand	380	37,43,59
USHSB-036	MCD36-2-H-3 TEC	36	17500	230/460	5.78/2.89	3	2	1140	82	High Stand	385	37,43,59
USHSB-037	MCD36-3-H-3 TEC	36	18500	230/460	8.68/4.34	3	3	1725	90	High Stand	395	37,43,59
USHSB-038	MCD36-5-H-3 TEC	36	23000	230/460	14.5/7.23	3	5	1725	94	High Stand	395	37,43,59
USHSB-039	MCD42-2-H-3 TEC	42	19500	230/460	5.78/2.89	3	2	1140	85	High Stand	570	37,49,59
USHSB-040	MCD42-5-H-3 TEC	42	27000	230/460	14.5/7.23	3	5	1725	98	High Stand	575	37,49,59
USHSB-041	MCD48-5-H-3 TEC	48	32000	230/460	14.5/7.23	3	5	1140	92	High Stand	715	37,55,59
USHSB-042	MCD48-7 1/2-H-3 TEC	48	37000	230/460	21.6/10.8	3	7 1/2	1140	105	High Stand	840	37,55,59
USHSB-043	MCD48-10-H-3 TEC	48	41000	230/460	28.9/14.5	3	10	1140	105	High Stand	895	37,55,59
USHSB-044	MCD60-3-H-3 TEC	60	35000	230/460	8.68/4.34	3	3	690	87	High Stand	970	52,67,71
USHSB-045	MCD60-5-H-3 TEC	60	45000	230/460	14.5/7.23	3	5	690	87	High Stand	1010	52,67,71
USHSB-046	MCD60-7 1/2-H-3 TEC	60	47000	230/460	21.6/10.8	3	7 1/2	870	90	High Stand	1225	52,67,71
USHSB-047	MCD60-10-H-3 TEC	60	57200	230/460	28.9/14.5	3	10	870	91	High Stand	1315	52,67,71
USHSB-048	MCD60-15-H-3 TEC	60	60750	230/460	43.4/21.6	3	15	870	92	High Stand	1360	52,67,71
USHSB-049	SW-1/4									1 Phase, 1/4-1/3 Horse Power Manual Starter Switch	10	12,12,12
USHSB-050	SW-1/4-3									3 Phase, 1/4-1/3 Horse Power Manual Starter Switch	10	12,12,12
USHSB-051	SW-1/2									1 Phase, 1/2-3/4 Horse Power Manual Starter Switch	10	12,12,12
USHSB-052	SW-1/2-3									3 Phase, 1/2-3/4 Horse Power Manual Starter Switch	10	12,12,12
USHSB-053	SW-1									1 Phase, 1 Horse Power Manual Starter Switch	10	12,12,12
USHSB-054	SW-1-3									3 Phase, 1 Horse Power Manual Starter Switch	10	12,12,12
USHSB-055	SW-1 1/2									1 Phase, 1.5 Horse Power Manual Starter Switch	10	12,12,12
USHSB-056	SW-1 1/2-3									3 Phase, 1.5 Horse Power Manual Starter Switch	10	12,12,12
USHSB-057	SW-2-3									3 Phase, 2 Horse Power Manual Starter Switch	10	12,12,12
USHSB-058	SW-3-3									3 Phase, 3 Horse Power Manual Starter Switch	10	12,12,12
USHSB-059	SW-5-3									3 Phase, 5 Horse Power Manual Starter Switch	10	12,12,12
USHSB-060	SW-7 1/2-3									3 Phase, 7.5 Horse Power Manual Starter Switch	10	12,12,12



Dimensions (In.) of MCD Series High Stand Industrial Direct Drive Blowers

Series	Diameter	Length	Width	Height
	Ø	A	B	C
USHSB-001 to 006	18"	35"	23"	57"
USHSB-007 to 019	24"	35"	29"	57"
USHSB-020 to 031	30"	35"	35"	57"
USHSB-032 to 038	36"	35"	41"	57"
USHSB-039 & 040	42"	35"	47 ½"	57"
USHSB-041 to 043	48"	35"	53 ½"	57"
USHSB-044 to 048	60"	50"	65 ½"	69"





Short Description of MCD Series High Stand Industrial Direct Drive Blowers

Item #	Manufacturing #	Short Description 70 Characters Maximum
		0123456789012345678901234567890123456789012345678901234567890123456789
USHSB-001	MCD 18-1/4-H TEC	18"Ø, 3050 CFM, 115/230V, 2.25/1.13A, 1 Phase, 1/4 HP Totally Enclosed Motor, 1725 RPM, 74 dBs, High Stand

SEO Table of MCD Series High Stand Industrial Direct Drive Blowers

Title
TPI MCD Series High Stand Industrial Direct Drive Blowers.
Meta Description
TPI MCD Series High Stand Industrial Direct Drive Blowers for Industrial Use, TPI MCD Series High Stand Industrial Direct Drive Blowers for Commercial use, TPI MCD Series High Stand Industrial Direct Drive Blowers for Indoor Use, TPI MCD Series High Stand Industrial Direct Drive Blowers for Outdoor Use, TPI MCD Series High Stand Industrial Direct Drive Blowers for Cooling Use, TPI MCD Series High Stand Industrial Direct Drive Blowers for High Air Volume Movement Use.
Meta Key Words
TPI MCD Series High Stand Industrial Direct Drive Blowers for Industrial Use, TPI MCD Series High Stand Industrial Direct Drive Blowers for Commercial use, TPI MCD Series High Stand Industrial Direct Drive Blowers for Indoor Use, TPI MCD Series High Stand Industrial Direct Drive Blowers for Outdoor Use, TPI MCD Series High Stand Industrial Direct Drive Blowers for Cooling Use, TPI MCD Series High Stand Industrial Direct Drive Blowers for High Air Volume Movement Use.
Meta URL (file name)
tpi-mcd-series-high-stand-industrial-direct-drive-blowers-us-english.htm

Product Line Description of MCD Series High Stand Industrial Direct Drive Blowers

```
<FONT Size=1>
<b>Type:</b> TPI MCD Series High Stand Industrial Direct Drive Blowers<br>
<b>Drive Type:</b> Direct Drive<br>
<b>Motor Type:</b> Totally Enclosed<br>
<b>Manufacturer:</b> TPI<br>
<b>Model Series:</b> MCD<br>
<b>Voltage:</b> 115/230 or 230/460V<br>
<b>Horse Power:</b> 1/4 to 15HP<br>
<b>Diameters:</b> 18" to 60"<br>
<b>Air Flow:</b> 3050 to 60750 CFM<br>
<b>Ship By:</b> Free LTL Freight<br>
</FONT>
```