



LDF-TE-Series

Workstation Fan With Pivoting Arm

Data Sheet

General Characteristics of LDF-TE Series Workstation Fan with Pivoting Arm.

Mounting Arm Features.

1 1/2" square, 14-gauge, steel tubing.
 3" x 5" x 3/16" mounting plate attaches with (4) 3/8" bolts.
 5' long, 18/3 SJTW conductor cord and NEMA 5-15 grounded plug.
 Dual electrical outlets embedded in arm to allow connection of modular fan and optional light.
 Made in U.S.A. with domestic and foreign components.

Modular Fan Features

18" high velocity circulator, with 3 speed, 1/8HP, 115V, 1-Phase permanently lubricated, totally enclosed, PSC motor.
 Modular fan plugs into electrical outlet on arm.
 Coated steel guards/Aluminum blades.
 CFM measured 2 feet from face of fan.
 Meets OSHA standards/1 year limited warranty.



Product Applications of LDF-TE Series Workstation Fan with Pivoting Arm.

Use on loading docks to cool off workers entering hot truck trailers.
 Use at factory workstations to cool off people or the machines.

Warranty of LDF-TE Series Workstation Fan with Pivoting Arm.

Manufacturer's Warranty: 1 Year.

Loading Dock Arm Standard Models

Specific Characteristics of LDF-TE Series Workstation Fan with Pivoting Arm.

Item #	Manufacturing #	Fan Size Ø(In.)	Arm Length	Fan CFM			VELOCITY PROFILE CFM/Area Sq Ft	MAX AMPS	Color	Weight and Dimensions with Packaging	
				HIGH	MED	LOW				Lbs.	L,W,H In.
USLDF-001	24-LDF-TE	18"	24"	1800	1500	1300	2900/125	2.2	Yellow/Black Accents	31	24,24,12
USLDF-002	40-LDF-TE	18"	40"	1800	1500	1300	2900/125	2.2		38	40,26,19
USLDF-003	60-LDF-TE	18"	60"	1800	1500	1300	2900/125	2.2		44	60,26,19

Loading Dock Arm Fan Standard Models

Specific Characteristics of LDF-TE Series Workstation Fan with Pivoting Arm.

Item #	Manufacturing #	Fan Size Ø(In.)	Fan CFM			VELOCITY PROFILE CFM/Area Sq Ft	Switch	Voltage	Color	MAX AMPS	Weight and Dimensions with Packaging	
			HIGH	MED	LOW						Lbs.	L,W,H In.
USLDF-004	LDF-18-TE	18"	1800	1500	1300	2900/125	3-speed	120	Silver/Gray	2.2	20	40,26,19

VentDepot.com

Ecological HVAC Supply & Engineering
1-888-514-1516, (626) 771-0048, F: (626) 771-0047
sales@ventdepot.com www.VentDepot.com



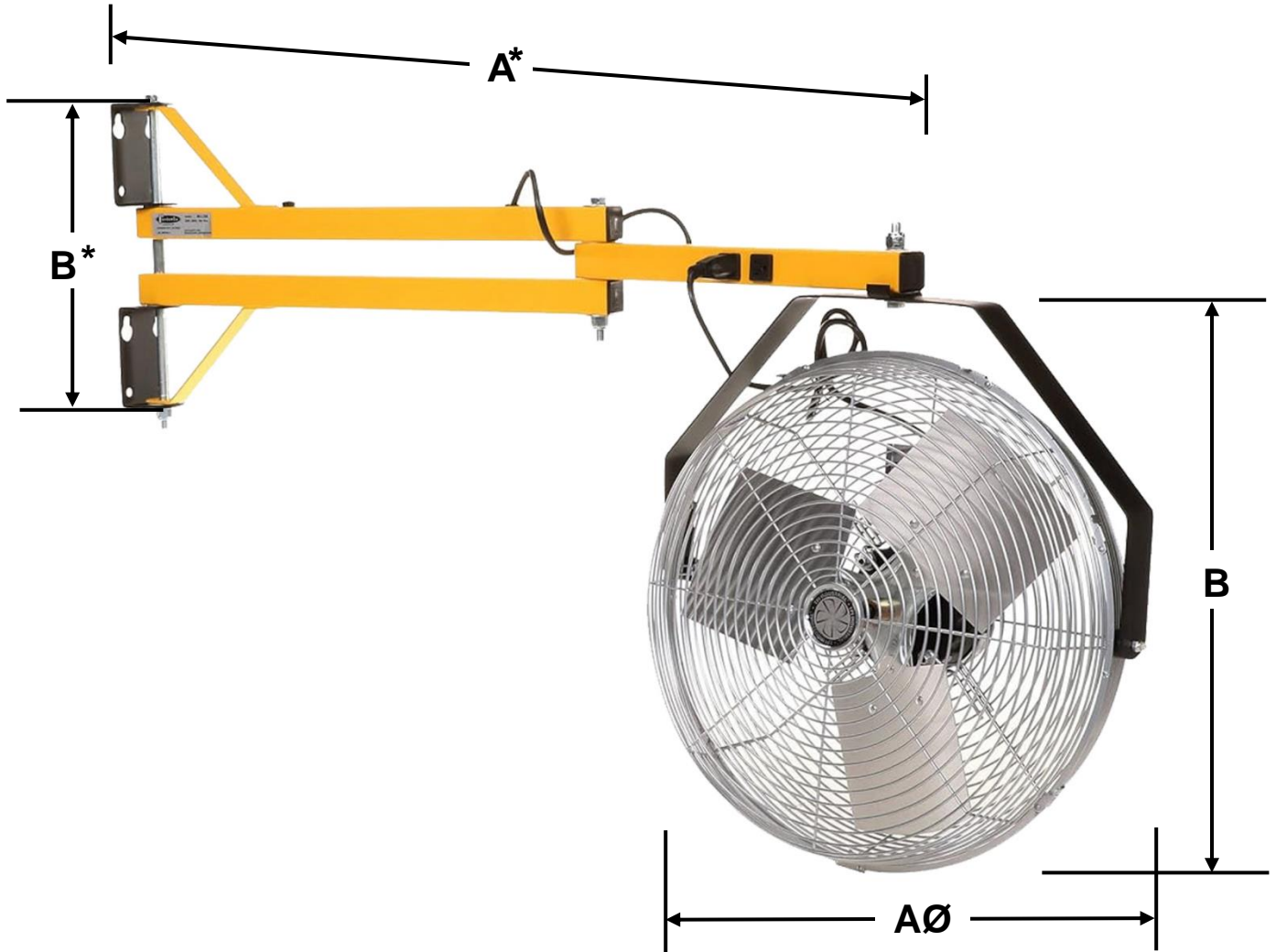
LDF-TE-Series

Workstation Fan With Pivoting Arm

Data Sheet

Dimensions (In.) of LDF-TE Series Workstation Fan with Pivoting Arm.

Series	Width A	Height B
USLDF-001-003*	40"	10"
USLDF-004	18"	21½"



VentDepot.com

Ecological HVAC Supply & Engineering
1-888-514-1516, (626) 771-0048, F: (626) 771-0047
sales@ventdepot.com www.VentDepot.com



LDF-TE-Series

Workstation Fan With Pivoting Arm

Data Sheet

Gallery Image of LDF-TE Series Workstation Fan with Pivoting Arm.



ID	Author	Description Error	Description Update	Supervisor Name
V1	Marcela Roldán	Technical Sheet Nueva	Technical Sheet Nueva	J.L.