

General Characteristics of Industrial Belt Drive Intake Fan, IndyIntake, RVI Series, Triangle Engineering of Arkansas

Industrial Belt Drive Intake Fan, IndyIntake, RVI Series, Triangle Engineering of Arkansas are designed with an Automatic Belt Tensioner System.

Industrial Belt Drive Intake Fan, IndyIntake, RVI Series, Triangle Engineering of Arkansas are available from 1/3 to 5HP at 4,100 to 43,500CFM.

Industrial Belt Drive Intake Fan, IndyIntake, RVI Series, Triangle Engineering of Arkansas are available in diameters of 24 inch diameter fan, 30 inch diameter fan, 36 inch diameter fan, 42 inch diameter fan, 48 inch diameter fan, 54 inch diameter fan, and 60 inch diameter fan.

The IndyIntake has a Rolled Inlet Venturi for efficient air flow.

Our IndyIntake is coated with a durable polyester powder coat finish.

The IndyIntake is built with Rugged heavy gauge galvanized steel housing.

Motors are available in 1 or 3 phases; Open or Totally Enclosed.

The IndyIntake Fans are designed for Intake or Make Up Air only.

Maximum Operation Air Temperature 140°F or 60.0°C.

Product Applications of Industrial Belt Drive Intake Fan, IndyIntake, RVI Series, Triangle Engineering of Arkansas

Industrial Belt Drive Intake Fan, IndyIntake, RVI Series, Triangle Engineering of Arkansas are used for factories, steel mills, and machine shops, or anywhere large volumes of air to create proper ventilation.

Industrial Belt Drive Intake Fan, IndyIntake, RVI Series, Triangle Engineering of Arkansas are Intake Fans Only.

Warranty of Industrial Belt Drive Intake Fan, IndyIntake, RVI Series, Triangle Engineering of Arkansas

Manufacturer's Limited Warranty: 3 Years.



Specific Characteristics of Industrial Belt Drive Intake Fan, IndyIntake, RVI Series, Triangle Engineering of Arkansas

VentDepot Item #	Triangle Engineering Model No.	Ø Dia. (in)	CFM				Speed _s	RPM	Volts	Amps	Ph	HP	Drive Type	Motor Type	Shipping Weight (lbs)	Shipping Size L,W,H (in)
			0.0 SP	0.125 SP	0.25 SP	0.50 SP										
USIDY-001	RVI2412-V	24	4190	3250	1950		1		115	5.3	1	1/3	Belt	Open	119	30.75,30,30.75
USIDY-002	RVI2412-X	24	4190	3250	1950		1		230/460	1.1/0.6	3	1/3	Belt	Open	119	30.75,30,30.75
USIDY-003	RVI3012-V	30	7080	6050	4940		1		115	5.3	1	1/3	Belt	Open	128	34.75,30,34.75
USIDY-004	RVI3013-V	30	9180	7880	6430	1400	1		115	8.0	1	1/2	Belt	Open	132	34.75,30,34.75
USIDY-005	RVI3013-X	30	9180	7880	6430	1400	1		230/460	1.9/1.0	3	1/2	Belt	Open	132	34.75,30,34.75
USIDY-006	RVI3014-U	30	10200	8900	6340		1		115/230	12/6	1	3/4	Belt	Open	135	34.75,30,34.75
USIDY-007	RVI3014-X	30	10200	8900	6340		1		230/460	2.9/1.4	3	3/4	Belt	Open	135	34.75,30,34.75
USIDY-008	RVI3014T-U	30	10200	8900	6340		1		115/230	12/6	1	3/4	Belt	Totally Enclosed	135	34.75,30,34.75
USIDY-009	RVI3613-V	36	12200	10200	4690		1		115	8.0	1	1/2	Belt	Open	148	40.75,30,40.75
USIDY-010	RVI3613-X	36	12200	10200	4690		1		230/460	1.9/1.0	3	1/2	Belt	Open	148	40.75,30,40.75

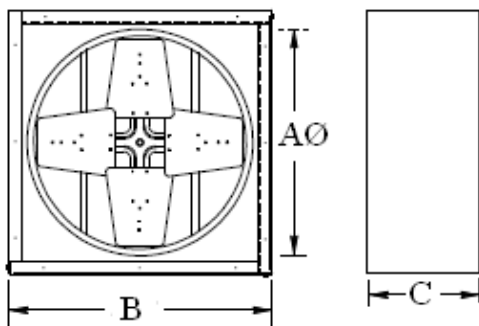
Specific Characteristics of Industrial Belt Drive Intake Fan, IndyIntake,
RVI Series, Triangle Engineering of Arkansas

VentDepot Item #	Triangle Engineering Model No.	Ø Dia. (in)	CFM				Speeds	RPM	Volts	Amps	Ph	HP	Drive Type	Motor Type	Shipping Weight (lbs)	Shipping Size L,W,H (in)
			0.0 SP	0.125 SP	0.25 SP	0.50 SP										
USIDY-011	RVI3614-U	36	11100	7850	4380		1		115/230	12/6	1	3/4	Belt	Open	162	40.75,30,40.75
USIDY-012	RVI3614-X	36	11100	7850	4380		1		230/460	2.9/1.4	3	3/4	Belt	Open	165	40.75,30,40.75
USIDY-013	RVI3614T-U	36	11100	7850	4380		1		115/230	12/6	1	3/4	Belt	Totally Enclosed	167	40.75,30,40.75
USIDY-014	RVI3614T-X	36	11100	7850	4380		1		230/460	2.9/1.4	3	3/4	Belt	Totally Enclosed	167	40.75,30,40.75
USIDY-015	RVI3615-U	36	12100	9030	5970		1		115/230	16/8	1	1	Belt	Open	173	40.75,30,40.75
USIDY-016	RVI3615-X	36	12100	9030	5970		1		230/460	3.8/1.9	3	1	Belt	Open	173	40.75,30,40.75
USIDY-017	RVI3616-U	36	13110	9820	6450		1		115/230	24/12	1	1.5	Belt	Open	185	40.75,30,40.75
USIDY-018	RVI3616-X	36	13110	9820	6450		1		230/460	5.6/2.8	3	1.5	Belt	Open	177	40.75,30,40.75
USIDY-019	RVI3616T-U	36	13110	9820	6450		1		115/230	24/12	1	1.5	Belt	Totally Enclosed	190	40.75,30,40.75
USIDY-020	RVI3616T-X	36	13110	9820	6450		1		230/460	5.6/2.8	3	1.5	Belt	Totally Enclosed	182	40.75,30,40.75
USIDY-021	RVI3617-U	36	12780	11790	10800	8250	1		115/230	12.8/6.4	1	2	Belt	Open	185	40.75,30,40.75
USIDY-022	RVI3617-X	36	12780	11790	10800	8250	1		230/460	6.4/3.2	3	2	Belt	Open	182	40.75,30,40.75
USIDY-023	RVI3617T-X	36	12780	11790	10800	8250	1		230/460	6.4/3.2	3	2	Belt	Totally Enclosed	192	40.75,30,40.75
USIDY-024	RVI3618-X	36	15400	14200	13000	9970	1		230/460	8.4/4.2	3	3	Belt	Open	190	40.75,30,40.75
USIDY-025	RVI3618T-X	36	15400	14200	13000	9970	1		230/460	8.4/4.2	3	3	Belt	Totally Enclosed	200	40.75,30,40.75
USIDY-026	RVI4213-V	42	13000	9730	4270		1		115	8.0	1	1/2	Belt	Open	191	46.75,30,46.75
USIDY-027	RVI4213-X	42	13000	9730	4270		1		230/460	1.9/1.0	3	1/2	Belt	Open	191	46.75,30,46.75
USIDY-028	RVI4214-U	42	14600	12000	6780		1		115/230	12/6	1	3/4	Belt	Open	194	46.75,30,46.75
USIDY-029	RVI4214-X	42	14600	12000	6780		1		230/460	2.9/1.4	3	3/4	Belt	Open	192	46.75,30,46.75
USIDY-030	RVI4214T-U	42	14600	12000	6780		1		115/230	12/6	1	3/4	Belt	Totally Enclosed	194	46.75,30,46.75
USIDY-031	RVI4215-U	42	16000	11600	6040		1		115/230	16/8	1	1	Belt	Open	204	46.75,30,46.75
USIDY-032	RVI4215-X	42	16000	11600	6040		1		230/460	3.8/1.9	3	1	Belt	Open	202	46.75,30,46.75
USIDY-033	RVI4216-U	42	17200	14700	10800		1		115/230	24/12	1	1.5	Belt	Open	220	46.75,30,46.75
USIDY-034	RVI4216-X	42	17200	14700	10800		1		230/460	5.6/2.8	3	1.5	Belt	Open	215	46.75,30,46.75
USIDY-035	RVI4814-U	48	19100	14300	6160		1		115/230	12/6	1	3/4	Belt	Open	223	52.75,30,52.75
USIDY-036	RVI4814-X	48	19100	14300	6160		1		230/460	2.9/1.4	3	3/4	Belt	Open	223	52.75,30,52.75
USIDY-037	RVI4814T-U	48	19100	14300	6160		1		115/230	12/6	1	3/4	Belt	Totally Enclosed	223	52.75,30,52.75
USIDY-038	RVI4815-U	48	20600	16000	7770		1		115/230	16/8	1	1	Belt	Open	233	52.75,30,52.75
USIDY-039	RVI4815-X	48	20600	16000	7770		1		230/460	3.8/1.9	3	1	Belt	Open	233	52.75,30,52.75
USIDY-040	RVI4816-U	48	21500	16400	10400		1		115/230	24/12	1	1.5	Belt	Open	236	52.75,30,52.75
USIDY-041	RVI4816-X	48	21500	16400	10400		1		230/460	5.6/2.8	3	1.5	Belt	Open	236	52.75,30,52.75
USIDY-042	RVI4817-U	48	21100	19000	16500		1		115/230	12.8/6.4	1	2	Belt	Open	268	52.75,30,52.75
USIDY-043	RVI4817-X	48	21100	19000	16500		1		230/460	6.4/3.2	3	2	Belt	Open	268	52.75,30,52.75
USIDY-044	RVI4817T-X	48	21100	19000	16500		1		230/460	6.4/3.2	3	2	Belt	Totally Enclosed	278	52.75,30,52.75
USIDY-045	RVI4818-X	48	23700	21500	19300		1		230/460	8.4/4.2	3	3	Belt	Open	292	52.75,30,52.75

Specific Characteristics of Industrial Belt Drive Intake Fan, IndyIntake,
RVI Series, Triangle Engineering of Arkansas

VentDepot Item #	Triangle Engineering Model No.	Ø Dia. (in)	CFM				Speeds	RPM	Volts	Amps	Ph	HP	Drive Type	Motor Type	Shipping Weight (lbs)	Shipping Size L,W,H (in)
			0.0 SP	0.125 SP	0.25 SP	0.50 SP										
USIDY-046	RVI4818T-X	48	23700	21500	19300		1		230/460	8.4/4.2	3	3	Belt	Totally Enclosed	302	52.75,30,52.75
USIDY-047	RVI4819-X	48	28800	26800	24500	18400	1		230/460	13.8/6.9	3	5	Belt	Open	292	52.75,30,52.75
USIDY-048	RVI4819T-X	48	28800	26800	24500	18400	1		230/460	13.8/6.9	3	5	Belt	Totally Enclosed	302	52.75,30,52.75
USIDY-049	RVI5417-U	54	25500	22300	19900		1		115/230	12.8/6.4	1	2	Belt	Open	348	62.875,30,62.875
USIDY-050	RVI5417-X	54	25500	22300	19900		1		230/460	6.4/3.2	3	2	Belt	Open	348	62.875,30,62.875
USIDY-051	RVI5417T-X	54	25500	22300	19900		1		230/460	6.4/3.2	3	2	Belt	Totally Enclosed	358	62.875,30,62.875
USIDY-052	RVI5418-X	54	29800	27100	24600		1		230/460	8.4/4.2	3	3	Belt	Open	353	62.875,30,62.875
USIDY-053	RVI5418T-X	54	29800	27100	24600		1		230/460	8.4/4.2	3	3	Belt	Totally Enclosed	363	62.875,30,62.875
USIDY-054	RVI5419-X	54	37300	35000	32600	26500	1		230/460	13.8/6.9	3	5	Belt	Open	361	62.875,30,62.875
USIDY-055	RVI5419T-X	54	37300	35000	32600	26500	1		230/460	13.8/6.9	3	5	Belt	Totally Enclosed	371	62.875,30,62.875
USIDY-056	RVI6017-U	60	30800	27800	23900		1		115/230	12.8/6.4	1	2	Belt	Open	420	68.875,30,68.875
USIDY-057	RVI6017-X	60	30800	27800	23900		1		230/460	6.4/3.2	3	2	Belt	Open	420	68.875,30,68.875
USIDY-058	RVI6017T-X	60	30800	27800	23900		1		230/460	6.4/3.2	3	2	Belt	Totally Enclosed	430	68.875,30,68.875
USIDY-059	RVI6018-X	60	34700	31700	28700	20800	1		230/460	8.4/4.2	3	3	Belt	Open	428	68.875,30,68.875
USIDY-060	RVI6018T-X	60	34700	31700	28700	20800	1		230/460	8.4/4.2	3	3	Belt	Totally Enclosed	438	68.875,30,68.875
USIDY-061	RVI6019-W	60	43500	40600	37200	30500	1		230	13.8	1	5	Belt	Open	452	68.875,30,68.875
USIDY-062	RVI6019-X	60	43500	40600	37200	30500	1		230/460	13.8/6.9	3	5	Belt	Open	432	68.875,30,68.875
USIDY-063	RVI6019T-X	60	43500	40600	37200	30500	1		230/460	13.8/6.9	3	5	Belt	Totally Enclosed	442	68.875,30,68.875

Dimensions of Industrial Belt Drive Intake Fan, IndyIntake,
RVI Series, Triangle Engineering of Arkansas



VentDepot Item#	Triangle Engineering Model No.	Blade Diameter AØ (in)	Overall Square Size B (in)	Depth Size C (in)
USIDY-001	RVI2412-V	24	30.75	30
USIDY-002	RVI2412-X	24	30.75	30
USIDY-003	RVI3012-V	30	34.75	30
USIDY-004	RVI3013-V	30	34.75	30
USIDY-005	RVI3013-X	30	34.75	30
USIDY-006	RVI3014-U	30	34.75	30
USIDY-007	RVI3014-X	30	34.75	30
USIDY-008	RVI3014T-U	30	34.75	30
USIDY-009	RVI3613-V	36	40.75	30
USIDY-010	RVI3613-X	36	40.75	30
USIDY-011	RVI3614-U	36	40.75	30
USIDY-012	RVI3614-X	36	40.75	30
USIDY-013	RVI3614T-U	36	40.75	30
USIDY-014	RVI3614T-X	36	40.75	30
USIDY-015	RVI3615-U	36	40.75	30

Copyright© since 1996, VentDepot has all rights reserved.

VentDepot USA, Tel: Toll Free 1-888-514-1516, Direct Line: +1 (626) 771-0048 & Fax: +1 (626) 771-0047 email: sales@ventdepot.com
VentDepot México, Tel: +52 (55)5822-1516, Fax: +52 (55)5825-0752 email: ventas@ventdepot.com

www.VentDepot.com

Dimensions of Industrial Belt Drive Intake Fan, IndyIntake,
RVI Series, Triangle Engineering of Arkansas

VentDepot Item#	Triangle Engineering Model No.	Blade Diameter AØ (in)	Overall Square Size B (in)	Depth Size C (in)
USIDY-016	RVI3615-X	36	40.75	30
USIDY-017	RVI3616-U	36	40.75	30
USIDY-018	RVI3616-X	36	40.75	30
USIDY-019	RVI3616T-U	36	40.75	30
USIDY-020	RVI3616T-X	36	40.75	30
USIDY-021	RVI3617-U	36	40.75	30
USIDY-022	RVI3617-X	36	40.75	30
USIDY-023	RVI3617T-X	36	40.75	30
USIDY-024	RVI3618-X	36	40.75	30
USIDY-025	RVI3618T-X	36	40.75	30
USIDY-026	RVI4213-V	42	46.75	30
USIDY-027	RVI4213-X	42	46.75	30
USIDY-028	RVI4214-U	42	46.75	30
USIDY-029	RVI4214-X	42	46.75	30
USIDY-030	RVI4214T-U	42	46.75	30
USIDY-031	RVI4215-U	42	46.75	30
USIDY-032	RVI4215-X	42	46.75	30
USIDY-033	RVI4216-U	42	46.75	30
USIDY-034	RVI4216-X	42	46.75	30
USIDY-035	RVI4814-U	48	52.75	30
USIDY-036	RVI4814-X	48	52.75	30
USIDY-037	RVI4814T-U	48	52.75	30
USIDY-038	RVI4815-U	48	52.75	30
USIDY-039	RVI4815-X	48	52.75	30
USIDY-040	RVI4816-U	48	52.75	30
USIDY-041	RVI4816-X	48	52.75	30
USIDY-042	RVI4817-U	48	52.75	30
USIDY-043	RVI4817-X	48	52.75	30
USIDY-044	RVI4817T-X	48	52.75	30
USIDY-045	RVI4818-X	48	52.75	30
USIDY-046	RVI4818T-X	48	52.75	30
USIDY-047	RVI4819-X	48	52.75	30
USIDY-048	RVI4819T-X	48	52.75	30
USIDY-049	RVI5417-U	54	62.875	30
USIDY-050	RVI5417-X	54	62.875	30
USIDY-051	RVI5417T-X	54	62.875	30
USIDY-052	RVI5418-X	54	62.875	30
USIDY-053	RVI5418T-X	54	62.875	30
USIDY-054	RVI5419-X	54	62.875	30
USIDY-055	RVI5419T-X	54	62.875	30
USIDY-056	RVI6017-U	60	68.875	30

Copyright© since 1996, VentDepot has all rights reserved.

VentDepot USA, Tel: Toll Free 1-888-514-1516, Direct Line: +1 (626) 771-0048 & Fax: +1 (626) 771-0047 email: sales@ventdepot.com

VentDepot México, Tel: +52 (55)5822-1516, Fax: +52 (55)5825-0752 email: ventas@ventdepot.com

www.VentDepot.com

Dimensions of Industrial Belt Drive Intake Fan, IndyIntake,
RVI Series, Triangle Engineering of Arkansas

VentDepot Item#	Triangle Engineering Model No.	Blade Diameter AØ (in)	Overall Square Size B (in)	Depth Size C (in)
USIDY-057	RVI6017-X	60	68.875	30
USIDY-058	RVI6017T-X	60	68.875	30
USIDY-059	RVI6018-X	60	68.875	30
USIDY-060	RVI6018T-X	60	68.875	30
USIDY-061	RVI6019-W	60	68.875	30
USIDY-062	RVI6019-X	60	68.875	30
USIDY-063	RVI6019T-X	60	68.875	30

Short Description of Industrial Belt Drive Intake Fan, IndyIntake,
RVI Series, Triangle Engineering of Arkansas

VentDepot Item No	Triangle Engineering Model No	Short Description 70 Characters Maximum									
		1	2	3	4	5	6	7	8	9	0
USIDY-001	RVI2412-V	24"Ø, 4190CFM, 115V, 5.3A, 1Ph, 1/3HP, Open									
USIDY-002	RVI2412-X	24"Ø, 4190CFM, 230/460V, 1.1/0.6A, 3Ph, 1/3HP, Open									
USIDY-003	RVI3012-V	30"Ø, 7080CFM, 115V, 5.3A, 1Ph, 1/3HP, Open									
USIDY-004	RVI3013-V	30"Ø, 9180CFM, 115V, 8.0A, 1Ph, 1/2HP, Open									
USIDY-005	RVI3013-X	30"Ø, 9180CFM, 230/460V, 1.9/1.0A, 3Ph, 1/2HP, open									
USIDY-006	RVI3014-U	30"Ø, 10200CFM, 115/230V, 12.0/6.0A, 1Ph, 3/4HP, open									
USIDY-007	RVI3014-X	30"Ø, 10200CFM, 230/430V, 2.9/1.4A, 3Ph, 3/4HP, open									
USIDY-008	RVI3014T-U	30"Ø, 10200CFM, 115/230V, 12.0/6.0A, 1Ph, 3/4HP, Total Enclosed									
USIDY-009	RVI3613-V	36"Ø, 12200CFM, 115V, 8.0A, 1Ph, 1/2HP, open									
USIDY-010	RVI3613-X	36"Ø, 12200CFM, 230/460V, 1.9/1.0A, 3Ph, 1/2HP, open									
USIDY-011	RVI3614-U	36"Ø, 11100CFM, 115/230V, 12.0/6.0A, 1Ph, 3/4HP, open									
USIDY-012	RVI3614-X	36"Ø, 11100CFM, 230/460V, 2.9/1.4A, 3Ph, 3/4HP, open									
USIDY-013	RVI3614T-U	36"Ø, 11100CFM, 115/230V, 12/6.0A, 1Ph, 3/4HP, Totally enclose									
USIDY-014	RVI3614T-X	36"Ø, 11100CFM, 230/460V, 2.9/1.4A, 3Ph, 3/4HP, Totally Enclosed									
USIDY-015	RVI3615-U	36"Ø, 12100CFM, 115/230V, 16.0/8.0A, 1Ph, 1HP, open									
USIDY-016	RVI3615-X	36"Ø, 12100CFM, 230/460V, 33.8/1.9A, 3Ph, 1HP, open									
USIDY-017	RVI3616-U	36"Ø, 13110CFM, 115/230V, 24.0/12.0A, 1Ph, 1.5HP, open									
USIDY-018	RVI3616-X	36"Ø, 13110FM, 230/460V, 5.6/2.8A, 3Ph, 1.5HP, open									
USIDY-019	RVI3616T-U	36"Ø, 13110CFM, 115/230V, 24.0/12.0A, 1Ph, 1.5HP, Totally Enclosed									
USIDY-020	RVI3616T-X	36"Ø, 13110CFM, 230/460V, 5.6/2.8A, 3Ph, 1.5HP, Totally Enclosed									
USIDY-021	RVI3617-U	36"Ø, 12780FM, 115/230V, 1Ph, 2HP, open									
USIDY-022	RVI3617-X	36"Ø, 12780CFM, 230/460V, 6.4/3.2A, 3Ph, 2HP, open									
USIDY-023	RVI3617T-X	36"Ø, 12780FM, 230/460V, 6.4/3.2A, 3Ph, 2HP, Totally Enclosed									
USIDY-024	RVI3618-X	36"Ø, 15400CFM, 230/460V, 8.4/4.2A, 3Ph, 3HP, open									
USIDY-025	RVI3618T-X	36"Ø, 15400CFM, 230/460V, 8.4/4.2A, 3Ph, 3HP, Totally Enclosed									
USIDY-026	RVI4213-V	42"Ø, 13000CFM, 115V, 8.0A, 1Ph, 1/2HP, open									
USIDY-027	RVI4213-X	42"Ø, 13000CFM, 230/460V, 1.9/1.0A, 3Ph, 1/2HP, open									
USIDY-028	RVI4214-U	42"Ø, 14600CFM, 115/2230V, 12.0/6.0A, 1Ph, 3/4HP, open									

Copyright© since 1996, VentDepot has all rights reserved.

VentDepot USA, Tel: Toll Free 1-888-514-1516, Direct Line: +1 (626) 771-0048 & Fax: +1 (626) 771-0047 email: sales@ventdepot.com
VentDepot México, Tel: +52 (55)5822-1516, Fax: +52 (55)5825-0752 email: ventas@ventdepot.com

www.VentDepot.com

Short Description of Industrial Belt Drive Intake Fan, IndyIntake,
RVI Series, Triangle Engineering of Arkansas

VentDepot Item No	Triangle Engineering Model No	Short Description 70 Characters Maximum																			
		1	2	3	4	5	6	7	8	9	0	1	2	3	4	5	6	7	8	9	0
USIDY-029	RVI4214-X	42"Ø,14600CFM,230/460V,2.9/1.4A,3Ph,3/4HP,open																			
USIDY-030	RVI4214T-U	42"Ø,14600CFM,115/230V,12.0/6.0A,1Ph,3/4HP,Totally Enclosed																			
USIDY-031	RVI4215-U	42"Ø,16000CFM,115/230V,16.0/8.0A,1Ph,1HP,open																			
USIDY-032	RVI4215-X	42"Ø,16000CFM,230/460V,3.8/1.9A,3Ph,1HP,open																			
USIDY-033	RVI4216-U	42"Ø,17200CFM,115/230V,24.0/12.0A,1Ph,1.5HP,open																			
USIDY-034	RVI4216-X	42"Ø,17200CFM,230/460V,5.6/2.8A,3Ph,1.5HP,open																			
USIDY-035	RVI4814-U	48"Ø,19100CFM,115/230V,12.0/6.0A,1Ph,3/4HP,open																			
USIDY-036	RVI4814-X	48"Ø,19100CFM,230/460V,2.9/1.4A,3Ph,3/4HP,open																			
USIDY-037	RVI4814T-U	48"Ø,19100CFM,115/230V,12.0/6.0A,1Ph,3/4HP,Totally Enclosed																			
USIDY-038	RVI4815-U	48"Ø,20600CFM,115/230V,16.0/8.0A,1Ph,1HP,open																			
USIDY-039	RVI4815-X	48"Ø,20600CFM,230/460V,3.8/1.9A,3Ph,1HP,open																			
USIDY-040	RVI4816-U	48"Ø,21500CFM,115/230V,24.0/12.0A,1Ph,1.5HP,open																			
USIDY-041	RVI4816-X	48"Ø,21500CFM,230/460V,5.6/2.8A,3Ph,1.5HP,open																			
USIDY-042	RVI4817-U	48"Ø,21100CFM,115/230V,1Ph,2HP,open																			
USIDY-043	RVI4817-X	48"Ø,21100CFM,230/460V,6.4/3.2A,3Ph,2HP,open																			
USIDY-044	RVI4817T-X	48"Ø,21100CFM,230/460V,6.4/3.2A,3Ph,2HP,Totally Enclosed																			
USIDY-045	RVI4818-X	48"Ø,23700CFM,230/460V,8.4/4.2A,3Ph,3HP,open																			
USIDY-046	RVI4818T-X	48"Ø,23700CFM,230/460V,8.4/3.2A,3Ph,3HP,Totally Enclosed																			
USIDY-047	RVI4819-X	48"Ø,28800CFM,230/460V,13.8/6.9A,3Ph,5HP,open																			
USIDY-048	RVI4819T-X	48"Ø,28800CFM,230/460V,13.8/6.9A,3Ph,5HP,Totally Enclosed																			
USIDY-049	RVI5417-U	54"Ø,25500CFM,115/230V,1Ph,2HP,open																			
USIDY-050	RVI5417-X	54"Ø,25500CFM,230/460V,6.4/3.2A,3Ph,2HP,open																			
USIDY-051	RVI5417T-X	54"Ø,25500CFM,230/460V,6.4/3.2A,3Ph,2HP,Totally Enclosed																			
USIDY-052	RVI5418-X	54"Ø,29800CFM,230/460V,8.4/4.2A,3Ph,3HP,open																			
USIDY-053	RVI5418T-X	54"Ø,29800CFM,230/460V,8.4/4.2A,3Ph,3HP,Totally Enclosed																			
USIDY-054	RVI5419-X	54"Ø,37300CFM,230/460V,13.8/6.9A,3Ph,5HP,open																			
USIDY-055	RVI5419T-X	54"Ø,37300CFM,230/460V,13.8/6.9A,3Ph,5HP,Totally Enclosed																			
USIDY-056	RVI6017-U	60"Ø,30800CFM,115/230V,1Ph,2HP,open																			
USIDY-057	RVI6017-X	60"Ø,30800CFM,230/460V,6.4/3.2A,3Ph,2HP,open																			
USIDY-058	RVI6017T-X	60"Ø,30800CFM,230/460V,6.4/3.2A,3Ph,2HP,Totally Enclosed																			
USIDY-059	RVI6018-X	60"Ø,34700CFM,230/460V,8.4/4.2A,3Ph,3HP,open																			
USIDY-060	RVI6018T-X	60"Ø,34700CFM,230/460V,8.4/4.2A,3Ph,3HP,Totally Enclosed																			
USIDY-061	RVI6019-W	60"Ø,43500CFM,230V,1Ph,5HP,open																			
USIDY-062	RVI6019-X	60"Ø,43500CFM,230/460V,13.8/6.9A,3Ph,5HP,open																			
USIDY-063	RVI6019T-X	60"Ø,43500CFM,230/460V,13.8/6.9A,3Ph,5HP,Totally Enclosed																			



IndyIntake RVI Series

File Type: Data Sheet
 Last Update: June 25, 2011
 Country Code: US
 Language: English
 File Name:

IndyIntake_RVI_Series_IYK_VentDepot_US_English_enggservices

SEO Table of Industrial Belt Drive Intake Fan, IndyIntake, RVI Series, Triangle Engineering of Arkansas
Title
Industrial Belt Drive Intake Fan, IndyIntake, RVI Series, Triangle Engineering of Arkansas
Meta Description
Industrial Belt Drive Intake Fan IndyIntake RVI Series Triangle Engineering of Arkansas, Industrial Belt Drive Intake Fan IndyIntake RVI Series Triangle Engineering of Arkansas for Kitchens, Industrial Belt Drive Intake Fan IndyIntake RVI Series Triangle Engineering of Arkansas for Church, Industrial Belt Drive Intake Fan IndyIntake RVI Series Triangle Engineering of Arkansas for Gyms, Industrial Belt Drive Intake Fan IndyIntake RVI Series Triangle Engineering of Arkansas for Warehouses, Industrial Belt Drive Intake Fan IndyIntake RVI Series Triangle Engineering of Arkansas for Buildings, Industrial Belt Drive Intake Fan IndyIntake RVI Series Triangle Engineering of Arkansas for Schools, Industrial Belt Drive Intake Fan IndyIntake RVI Series Triangle Engineering of Arkansas for Hospitals, Industrial Belt Drive Intake Fan IndyIntake RVI Series Triangle Engineering of Arkansas for Restaurants, Industrial Belt Drive Intake Fan IndyIntake RVI Series Triangle Engineering of Arkansas for Hangars, Industrial Belt Drive Intake Fan IndyIntake RVI Series Triangle Engineering of Arkansas for Military Bases
Meta Key Words
Industrial Belt Drive Intake Fan IndyIntake RVI Series Triangle Engineering of Arkansas, Industrial Belt Drive Intake Fan IndyIntake RVI Series Triangle Engineering of Arkansas for Kitchens, Industrial Belt Drive Intake Fan IndyIntake RVI Series Triangle Engineering of Arkansas for Church, Industrial Belt Drive Intake Fan IndyIntake RVI Series Triangle Engineering of Arkansas for Gyms, Industrial Belt Drive Intake Fan IndyIntake RVI Series Triangle Engineering of Arkansas for Warehouses, Industrial Belt Drive Intake Fan IndyIntake RVI Series Triangle Engineering of Arkansas for Buildings, Industrial Belt Drive Intake Fan IndyIntake RVI Series Triangle Engineering of Arkansas for Schools, Industrial Belt Drive Intake Fan IndyIntake RVI Series Triangle Engineering of Arkansas for Hospitals, Industrial Belt Drive Intake Fan IndyIntake RVI Series Triangle Engineering of Arkansas for Restaurants, Industrial Belt Drive Intake Fan IndyIntake RVI Series Triangle Engineering of Arkansas for Hangars, Industrial Belt Drive Intake Fan IndyIntake RVI Series Triangle Engineering of Arkansas for Military Bases
Meta URL all words in lower case, separated with underscores (.htm file name)
industrial_belt_drive_intake_fan_indyintake_rvi_series_triangle_engineering_us_english.htm

Copyright© since 1996, VentDepot has all rights reserved.

VentDepot USA, Tel: Toll Free 1-888-514-1516, Direct Line: +1 (626) 771-0048 & Fax: +1 (626) 771-0047 email: sales@ventdepot.com

VentDepot México, Tel: +52 (55)5822-1516, Fax: +52 (55)5825-0752 email: ventas@ventdepot.com

www.VentDepot.com