



General Characteristics, IndyExhaust, Wall Mounted Exhaust Fan

Industrial Belt Drive Exhaust Fans, IndyExhaust, VI Series by Triangle Engineering of Arkansas are designed with an Automatic Belt Tensioner System.

Industrial Belt Drive Exhaust Fans, IndyExhaust, VI Series by Triangle Engineering of Arkansas are available from 1/3 to 5HP at 4,100 to 43,500CFM.

Industrial Belt Drive Exhaust Fans, IndyExhaust, VI Series by Triangle Engineering of Arkansas are available in diameters of 24 inch diameter fan, 30 inch diameter fan, 36 inch diameter fan, 42 inch diameter fan, 48 inch diameter fan, 54 inch diameter fan, and 60 inch diameter fan.

The IndyExhaust includes a Rolled Inlet Venturi for efficient air flow.

IndyExhaust fans are coated with a durable polyester powder coat finish.

They are built with a rugged heavy gauge galvanized steel housing.

IndyExhaust motors are available in 1 and 3 phases; these motors are available as Open or Totally Enclosed types.

Maximum Operation Air Temperature 140°F or 60.0°C

Applications: IndyExhaust, Wall Mounted Exhaust Fan

Industrial Belt Drive Exhaust Fans, IndyExhaust, VI Series by Triangle Engineering of Arkansas are used for factories, steel mills, machine shops, automotive repair shops, hospitals, gyms, warehouses, farms, barns, large buildings, or anywhere large volumes of hot or stagnant air must be moved that need ventilation.

Industrial Belt Drive Exhaust Fans, IndyExhaust, VI Series by Triangle Engineering of Arkansas are Exhaust Fans Only.

Warranty, IndyExhaust, Wall Mounted Exhaust Fan

Manufacturer's Limited Warranty: 3 Years.



Specific Characteristics of IndyExhaust, Wall Mounted Exhaust Fan

VentDepot Item #	Triangle Engineering Model No.	Ø Dia. (in)	CFM				Speeds	RPM	Volts	Amps	Ph	HP	Drive Type	Motor Type	Shipping Weight (lbs)	Shipping Size L,W,H (in)
			0.0 SP	0.125 SP	0.25 SP	0.50 SP										
USIYX-001	VI2412-V	24	4190	3250	1950		1	--	115	5.3	1	1/3	Belt	Open	100	30.75,20,30.75
USIYX-002	VI2412-X	24	4190	3250	1950		1	--	230/460	1.1/0.6	3	1/3	Belt	Open	100	30.75,20,30.75
USIYX-003	VI2413T-U	24	4510	3550	2120		1	--	115/230	8.0/3.8	1	1/2	Belt	Totally Enclosed	105	30.75,20,30.75
USIYX-004	VI2413T-X	24	4510	3550	2120		1	--	230/460	1.9/1.0	3	1/2	Belt	Totally Enclosed	105	30.75,20,30.75
USIYX-005	VI2413-V	24	4510	3550	2120		1	--	115	8.0	1	1/2	Belt	Open	105	30.75,20,30.75
USIYX-006	VI2413-W	24	4510	3550	2120		1	--	230	3.8	1	1/2	Belt	Open	105	30.75,20,30.75
USIYX-007	VI2413-X	24	4510	3550	2120		1	--	230/460	1.9/1.0	3	1/2	Belt	Open	105	30.75,20,30.75
USIYX-008	VI3012T-X	30	7080	6050	4940		1	--	230/460	1.1/0.6	3	1/3	Belt	Totally Enclosed	111	34.75,20,34.75
USIYX-009	VI3012T-U	30	7080	6050	4940		1	--	115/230	5.3/2.6	1	1/3	Belt	Totally Enclosed	111	34.75,20,34.75
USIYX-010	VI3012-V	30	7080	6050	4940		1	--	115	5.3	1	1/3	Belt	Open	111	34.75,20,34.75

Specific Characteristics of IndyExhaust, Wall Mounted Exhaust Fan

VentDepot Item #	Triangle Engineering Model No.	Ø Dia. (in)	CFM				Speeds	RPM	Volts	Amps	Ph	HP	Drive Type	Motor Type	Shipping Weight (lbs)	Shipping Size L,W,H (in)
			0.0 SP	0.125 SP	0.25 SP	0.50 SP										
USIYX-011	VI3012-W	30	7080	6050	4940		1	--	230	2.6	1	1/3	Belt	Open	111	34.75,20,34.75
USIYX-012	VI3012-X	30	7080	6050	4940		1	--	230/460	1.1/0.6	3	1/3	Belt	Open	111	34.75,20,34.75
USIYX-013	VI3013T-U	30	9180	7880	6430	1400	1	--	115/230	8.0/3.8	1	1/2	Belt	Totally Enclosed	111	34.75,20,34.75
USIYX-014	VI3013T-X	30	9180	7880	6430	1400	1	--	230/460	1.9/1.0	3	1/2	Belt	Totally Enclosed	111	34.75,20,34.75
USIYX-015	VI3013-V	30	9180	7880	6430	1400	1	--	115	8.0	1	1/2	Belt	Open	111	34.75,20,34.75
USIYX-016	VI3013-W	30	9180	7880	6430	1400	1	--	230	3.8	1	1/2	Belt	Open	111	34.75,20,34.75
USIYX-017	VI3013-X	30	9180	7880	6430	1400	1	--	230/460	1.9/1.0	3	1/2	Belt	Open	111	34.75,20,34.75
USIYX-018	VI3014T-U	30	10200	8900	6340		1	--	115/230	12/6	1	3/4	Belt	Totally Enclosed	114	34.75,20,34.75
USIYX-019	VI3014T-X	30	10200	8900	6340		1	--	230/460	2.9/1.4	3	3/4	Belt	Totally Enclosed	114	34.75,20,34.75
USIYX-020	VI3014-U	30	10200	8900	6340		1	--	115/230	12/6	1	3/4	Belt	Open	114	34.75,20,34.75
USIYX-021	VI3014-X	30	10200	8900	6340		1	--	230/460	2.9/1.4	3	3/4	Belt	Open	114	34.75,20,34.75
USIYX-022	VI3613T-U	36	12200	10200	4690		1	--	115/230	8.0/3.8	1	1/2	Belt	Totally Enclosed	120	40.75,20,40.75
USIYX-023	VI3613T-X	36	12200	10200	4690		1	--	230/460	1.9/1.0	3	1/2	Belt	Totally Enclosed	120	40.75,20,40.75
USIYX-024	VI3613-V	36	12200	10200	4690		1	--	115	8.0	1	1/2	Belt	Open	120	40.75,20,40.75
USIYX-025	VI3613-W	36	12200	10200	4690		1	--	230	3.8	1	1/2	Belt	Open	120	40.75,20,40.75
USIYX-026	VI3613-X	36	12200	10200	4690		1	--	230/460	1.9/1.0	3	1/2	Belt	Open	120	40.75,20,40.75
USIYX-027	VI3614T-U	36	11100	7850	4380		1	--	115/230	12/6	1	3/4	Belt	Totally Enclosed	134	40.75,20,40.75
USIYX-028	VI3614T-X	36	11100	7850	4380		1	--	230/460	2.9/1.4	3	3/4	Belt	Totally Enclosed	134	40.75,20,40.75
USIYX-029	VI3614-U	36	11100	7850	4380		1	--	115/230	12/6	1	3/4	Belt	Open	134	40.75,20,40.75
USIYX-030	VI3614-X	36	11100	7850	4380		1	--	230/460	2.9/1.4	3	3/4	Belt	Open	138	40.75,20,40.75
USIYX-031	VI3615T-U	36	12100	9030	5970		1	--	115/230	16/8	1	1	Belt	Totally Enclosed	145	40.75,20,40.75
USIYX-032	VI3615T-X	36	12100	9030	5970		1	--	230/460	3.8/1.9	3	1	Belt	Totally Enclosed	145	40.75,20,40.75
USIYX-033	VI3615-U	36	12100	9030	5970		1	--	115/230	16/8	1	1	Belt	Open	145	40.75,20,40.75
USIYX-034	VI3615-X	36	12100	9030	5970		1	--	230/460	3.8/1.9	3	1	Belt	Open	145	40.75,20,40.75
USIYX-035	VI3616T-U	36	13110	9820	6450		1	--	115/230	24/12	1	1.5	Belt	Totally Enclosed	157	40.75,20,40.75
USIYX-036	VI3616T-X	36	13110	9820	6450		1	--	230/460	5.6/2.8	3	1.5	Belt	Totally Enclosed	157	40.75,20,40.75
USIYX-037	VI3616-U	36	13110	9820	6450		1	--	115/230	24/12	1	1.5	Belt	Open	157	40.75,20,40.75
USIYX-038	VI3616-X	36	13110	9820	6450		1	--	230/460	5.6/2.8	3	1.5	Belt	Open	154	40.75,20,40.75
USIYX-039	VI3617T-X	36	12780	11790	10800	8250	1	--	230/460	6.4/3.2	3	2	Belt	Totally Enclosed	202	40.75,20,40.75
USIYX-040	VI3617-U	36	12780	11790	10800	8250	1	--	115/230	12.8/6.4	1	2	Belt	Open	202	40.75,20,40.75
USIYX-041	VI3617-X	36	12780	11790	10800	8250	1	--	230/460	6.4/3.2	3	2	Belt	Open	202	40.75,20,40.75
USIYX-042	VI3618T-X	36	15400	14200	13000	9970	1	--	230/460	8.4/4.2	3	3	Belt	Totally Enclosed	257	40.75,20,40.75
USIYX-043	VI3618-X	36	15400	14200	13000	9970	1	--	230/460	8.4/8.2	3	3	Belt	Open	257	40.75,20,40.75
USIYX-044	VI4213T-U	42	13000	9730	4270		1	--	115/230	8.0/3.8	1	1/2	Belt	Totally Enclosed	149	46.75,20,46.75
USIYX-045	VI4213T-X	42	13000	9730	4270		1	--	230/460	1.9/1.0	3	1/2	Belt	Totally Enclosed	149	46.75,20,46.75
USIYX-046	VI4213-V	42	13000	9730	4270		1	--	115	8.0	1	1/2	Belt	Open	149	46.75,20,46.75

Copyright© since 1996, VentDepot has all rights reserved.

VentDepot USA, Tel: Toll Free 1-888-514-1516, Direct Line: +1 (626) 771-0048 & Fax: +1 (626) 771-0047 email: sales@ventdepot.com

VentDepot México, Tel: +52 (55)5822-1516, Fax: +52 (55)5825-0752 email: ventas@ventdepot.com

www.VentDepot.com



Specific Characteristics of IndyExhaust, Wall Mounted Exhaust Fan

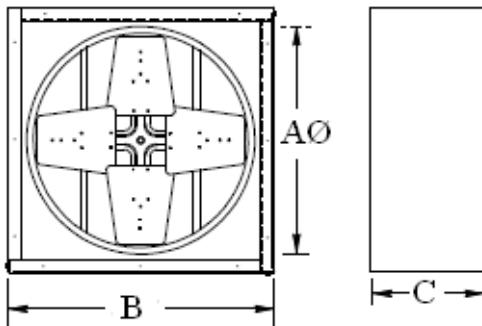
VentDepot Item #	Triangle Engineering Model No.	Ø Dia. (in)	CFM				Speeds	RPM	Volts	Amps	Ph	HP	Drive Type	Motor Type	Shipping Weight (lbs)	Shipping Size L,W,H (in)
			0.0 SP	0.125 SP	0.25 SP	0.50 SP										
JSIYX-047	VI4213-W	42	13000	9730	4270		1	--	230	3.8	1	1/2	Belt	Open	149	46.75,20,46.75
JSIYX-048	VI4213-X	42	13000	9730	4270		1	--	230/460	1.9/1.0	3	1/2	Belt	Open	149	46.75,20,46.75
JSIYX-049	VI4214T-U	42	14600	12000	6780		1	--	115/230	12/6	1	3/4	Belt	Totally Enclosed	152	46.75,20,46.75
JSIYX-050	VI4214T-X	42	14600	12000	6780		1	--	230/460	2.9/1.4	3	3/4	Belt	Totally Enclosed	152	46.75,20,46.75
JSIYX-051	VI4214-U	42	14600	12000	6780		1	--	115/230	12/6	1	3/4	Belt	Open	152	46.75,20,46.75
JSIYX-052	VI4214-X	42	14600	12000	6780		1	--	230/460	2.9/1.4	3	3/4	Belt	Open	152	46.75,20,46.75
JSIYX-053	VI4215T-U	42	16000	11600	6040		1	--	115/230	16/8	1	1	Belt	Totally Enclosed	162	46.75,20,46.75
JSIYX-054	VI4215T-X	42	16000	11600	6040		1	--	230/460	3.8/1.9	3	1	Belt	Totally Enclosed	162	46.75,20,46.75
JSIYX-055	VI4215-U	42	16000	11600	6040		1	--	115/230	16/8	1	1	Belt	Open	162	46.75,20,46.75
JSIYX-056	VI4215-X	42	16000	11600	6040		1	--	230/460	3.8/1.9	3	1	Belt	Open	162	46.75,20,46.75
JSIYX-057	VI4216T-U	42	17200	14700	10800		1	--	115/230	24/12	1	1.5	Belt	Totally Enclosed	183	46.75,20,46.75
JSIYX-058	VI4216T-X	42	17200	14700	10800		1	--	230/460	5.6/2.8	3	1.5	Belt	Totally Enclosed	183	46.75,20,46.75
JSIYX-059	VI4216-U	42	17200	14700	10800		1	--	115/230	24/12	1	1.5	Belt	Open	183	46.75,20,46.75
JSIYX-060	VI4216-X	42	17200	14700	10800		1	--	230/460	5.6/2.8	3	1.5	Belt	Open	173	46.75,20,46.75
JSIYX-061	VI4217T-X	42	18100	15500	11400		1	--	230/460	6.4/3.2	3	2	Belt	Totally Enclosed	195	46.75,20,46.75
JSIYX-062	VI4217-U	42	18100	15500	11400		1	--	115/230	12.8/6.4	1	2	Belt	Open	195	46.75,20,46.75
JSIYX-063	VI4217-X	42	18100	15500	11400		1	--	230/460	6.4/3.2	3	2	Belt	Open	195	46.75,20,46.75
JSIYX-064	VI4814T-U	48	19100	14300	6160		1	--	115/230	12/6	1	3/4	Belt	Totally Enclosed	177	52.75,20,52.75
JSIYX-065	VI4814T-X	48	19100	14300	6160		1	--	230/460	2.9/1.4	3	3/4	Belt	Totally Enclosed	177	52.75,20,52.75
JSIYX-066	VI4814-U	48	19100	14300	6160		1	--	115/230	12/6	1	3/4	Belt	Open	177	52.75,20,52.75
JSIYX-067	VI4814-X	48	19100	14300	6160		1	--	230/460	2.9/1.4	3	3/4	Belt	Open	180	52.75,20,52.75
JSIYX-068	VI4815T-U	48	20600	16000	7770		1	--	115/230	16/8	1	1	Belt	Totally Enclosed	187	52.75,20,52.75
JSIYX-069	VI4815T-X	48	20600	16000	7770		1	--	230/460	3.8/1.9	3	1	Belt	Totally Enclosed	187	52.75,20,52.75
JSIYX-070	VI4815-U	48	20600	16000	7770		1	--	115/230	16/8	1	1	Belt	Open	187	52.75,20,52.75
JSIYX-071	VI4815-X	48	20600	16000	7770		1	--	230/460	3.8/1.9	3	1	Belt	Open	190	52.75,20,52.75
JSIYX-072	VI4816T-U	48	21500	16400	10400		1	--	115/230	24/12	1	1.5	Belt	Totally Enclosed	210	52.75,20,52.75
JSIYX-073	VI4816T-X	48	21500	16400	10400		1	--	230/460	5.6/2.8	3	1.5	Belt	Totally Enclosed	210	52.75,20,52.75
JSIYX-074	VI4816-U	48	21500	16400	10400		1	--	115/230	24/12	1	1.5	Belt	Open	210	52.75,20,52.75
JSIYX-075	VI4816-X	48	21500	16400	10400		1	--	230/460	5.6/2.8	3	1.5	Belt	Open	190	52.75,20,52.75
JSIYX-076	VI4817T-X	48	21100	19000	16500		1	--	230/460	6.4/3.2	3	2	Belt	Totally Enclosed	232	52.75,24,52.75
JSIYX-077	VI4817-U	48	21100	19000	16500		1	--	115/230	12.8/6.4	1	2	Belt	Open	232	52.75,24,52.75
JSIYX-078	VI4817-X	48	21100	19000	16500		1	--	230/460	6.4/3.2	3	2	Belt	Open	212	52.75,24,52.75
JSIYX-079	VI4818T-X	48	23700	21500	19300		1	--	230/460	8.4/4.2	3	3	Belt	Totally Enclosed	292	52.75,30,52.75
JSIYX-080	VI4818-U	48	23700	21500	19300		1	--	115/230	16/8	1	3	Belt	Open	292	52.75,30,52.75
JSIYX-081	VI4818-X	48	23700	21500	19300		1	--	230/460	8.4/4.2	3	3	Belt	Open	292	52.75,30,52.75



Specific Characteristics of IndyExhaust, Wall Mounted Exhaust Fan

VentDepot Item #	Triangle Engineering Model No.	Ø Dia. (in)	CFM				Speeds	RPM	Volts	Amps	Ph	HP	Drive Type	Motor Type	Shipping Weight (lbs)	Shipping Size L,W,H (in)
			0.0 SP	0.125 SP	0.25 SP	0.50 SP										
USIYX-082	VI4819T-X	48	28800	26800	24500	18400	1		230/460	13.8/6.9	3	5	Belt	Totally Enclosed	312	52.75,30,52.75
USIYX-083	VI4819-X	48	28800	26800	24500	18400	1		230/460	13.8/6.9	3	5	Belt	Open	312	52.75,30,52.75
USIYX-084	VI5417T-X	54	25500	22300	19900		1		230/460	6.4/3.2	3	2	Belt	Totally Enclosed	348	62.875,30,62.875
USIYX-085	VI5417-U	54	25500	22300	19900		1		115/230	12.8/6.4	1	2	Belt	Open	348	62.875,30,62.875
USIYX-086	VI5417-X	54	25500	22300	19900		1		230/460	6.4/3.2	3	2	Belt	Open	338	62.875,30,62.875
USIYX-087	VI5418-U	54	29800	27100	24600		1		115/230	16.8/8.4	1	3	Belt	Open	343	62.875,30,62.875
USIYX-088	VI5418-X	54	29800	27100	24600		1		230/460	8.4/4.2	3	3	Belt	Open	343	62.875,30,62.875
USIYX-089	VI5419T-X	54	37300	35000	32600	26500	1		230/460	13.8/6.9	3	5	Belt	Totally Enclosed	351	62.875,30,62.875
USIYX-090	VI5419-X	54	37300	35000	32600	26500	1		230/460	13.8/6.9	3	5	Belt	Open	351	62.875,30,62.875
USIYX-091	VI6017T-X	60	30800	27800	23900		1		230/460	6.4/3.2	3	2	Belt	Totally Enclosed	425	68.875,30,68.875
USIYX-092	VI6017-U	60	30800	27800	23900		1		115/230	12.8/6.4	1	2	Belt	Open	425	68.875,30,68.875
USIYX-093	VI6017-X	60	30800	27800	23900		1		230/460	6.4/3.2	3	2	Belt	Open	410	68.875,30,68.875
USIYX-094	VI6018T-X	60	34700	31700	28700	20800	1		230/460	8.4/4.2	3	3	Belt	Totally Enclosed	418	68.875,30,68.875
USIYX-095	VI6018-U	60	34700	31700	28700	20800	1		115/230	16.8/8.4	1	3	Belt	Open	418	68.875,30,68.875
USIYX-096	VI6018-X	60	34700	31700	28700	20800	1		230/460	8.4/4.2	3	3	Belt	Open	418	68.875,30,68.875
USIYX-097	VI6019T-X	60	43500	40600	37200	30500	1		230/460	13.8/6.9	3	5	Belt	Totally Enclosed	444	68.875,30,68.875
USIYX-098	VI6019-W	60	43500	40600	37200	30500	1		230	13.8	1	5	Belt	Open	444	68.875,30,68.875
USIYX-099	VI6019-X	60	43500	40600	37200	30500	1		230/460	13.8/6.9	3	5	Belt	Open	422	68.875,30,68.875

Dimensions of IndyExhaust, Wall Mounted Exhaust Fan



VentDepot Item#	Triangle Engineering Model No.	Blade Diameter AØ (in)	Overall Square Size B (in)	Depth Size C (in)
USIYX-001	VI2412-V	24	30.75	20
USIYX-002	VI2412-X	24	30.75	20
USIYX-003	VI2413T-U	24	30.75	20
USIYX-004	VI2413T-X	24	30.75	20
USIYX-005	VI2413-V	24	30.75	20
USIYX-006	VI2413-W	24	30.75	20
USIYX-007	VI2413-X	24	30.75	20
USIYX-008	VI3012T-X	30	34.75	20
USIYX-009	VI3012-U	30	34.75	20
USIYX-010	VI3012-V	30	34.75	20
USIYX-011	VI3012-W	30	34.75	20
USIYX-012	VI3012-X	30	34.75	20
USIYX-013	VI3013T-U	30	34.75	20
USIYX-014	VI3013T-X	30	34.75	20
USIYX-015	VI3013-V	30	34.75	20

Copyright© since 1996, VentDepot has all rights reserved.

VentDepot USA, Tel: Toll Free 1-888-514-1516, Direct Line: +1 (626) 771-0048 & Fax: +1 (626) 771-0047 email: sales@ventdepot.com
VentDepot México, Tel: +52 (55)5822-1516, Fax: +52 (55)5825-0752 email: ventas@ventdepot.com

www.VentDepot.com



Dimensions of IndyExhaust, Wall Mounted Exhaust Fan

VentDepot Item#	Triangle Engineering Model No.	Blade Diameter AØ (in)	Overall Square Size B (in)	Depth Size C (in)
USIYX-016	VI3013-W	30	34.75	20
USIYX-017	VI3013-X	30	34.75	20
USIYX-018	VI3014T-U	30	34.75	20
USIYX-019	VI3014T-X	30	34.75	20
USIYX-020	VI3014-U	30	34.75	20
USIYX-021	VI3014-X	30	34.75	20
USIYX-022	VI3613T-U	36	40.75	20
USIYX-023	VI3613T-X	36	40.75	20
USIYX-024	VI3613-V	36	40.75	20
USIYX-025	VI3613-W	36	40.75	20
USIYX-026	VI3613-X	36	40.75	20
USIYX-027	VI3614T-U	36	40.75	20
USIYX-028	VI3614T-X	36	40.75	20
USIYX-029	VI3614-U	36	40.75	20
USIYX-030	VI3614-X	36	40.75	20
USIYX-031	VI3615T-U	36	40.75	20
USIYX-032	VI3615T-X	36	40.75	20
USIYX-033	VI3615-U	36	40.75	20
USIYX-034	VI3615-X	36	40.75	20
USIYX-035	VI3616T-U	36	40.75	20
USIYX-036	VI3616T-X	36	40.75	20
USIYX-037	VI3616-U	36	40.75	20
USIYX-038	VI3616-X	36	40.75	20
USIYX-039	VI3617T-X	36	40.75	20
USIYX-040	VI3617-U	36	40.75	20
USIYX-041	VI3617-X	36	40.75	20
USIYX-042	VI3618T-X	36	40.75	20
USIYX-043	VI3618-X	36	40.75	20
USIYX-044	VI4213T-U	42	46.75	20
USIYX-045	VI4213T-X	42	46.75	20
USIYX-046	VI4213-V	42	46.75	20
USIYX-047	VI4213-W	42	46.75	20
USIYX-048	VI4213-X	42	46.75	20
USIYX-049	VI4214T-U	42	46.75	20
USIYX-050	VI4214T-X	42	46.75	20
USIYX-051	VI4214-U	42	46.75	20
USIYX-052	VI4214-X	42	46.75	20
USIYX-053	VI4215T-U	42	46.75	20
USIYX-054	VI4215T-X	42	46.75	20
USIYX-055	VI4215-U	42	46.75	20



Dimensions of IndyExhaust, Wall Mounted Exhaust Fan

VentDepot Item#	Triangle Engineering Model No.	Blade Diameter AØ (in)	Overall Square Size B (in)	Depth Size C (in)
USIYX-056	VI4215-X	42	46.75	20
USIYX-057	VI4216T-U	42	46.75	20
USIYX-058	VI4216T-X	42	46.75	20
USIYX-059	VI4216-U	42	46.75	20
USIYX-060	VI4216-X	42	46.75	20
USIYX-061	VI4217T-X	42	46.75	20
USIYX-062	VI4217-U	42	46.75	20
USIYX-063	VI4217-X	42	46.75	20
USIYX-064	VI4814T-U	48	52.75	20
USIYX-065	VI4814T-X	48	52.75	20
USIYX-066	VI4814-U	48	52.75	20
USIYX-067	VI4814-X	48	52.75	20
USIYX-068	VI4815T-U	48	52.75	20
USIYX-069	VI4815T-X	48	52.75	20
USIYX-070	VI4815-U	48	52.75	20
USIYX-071	VI4815-X	48	52.75	20
USIYX-072	VI4816T-U	48	52.75	20
USIYX-073	VI4816T-X	48	52.75	20
USIYX-074	VI4816-U	48	52.75	20
USIYX-075	VI4816-X	48	52.75	20
USIYX-076	VI4817T-X	48	52.75	24
USIYX-077	VI4817-U	48	52.75	24
USIYX-078	VI4817-X	48	52.75	24
USIYX-079	VI4818T-X	48	52.75	30
USIYX-080	VI4818-U	48	52.75	30
USIYX-081	VI4818-X	48	52.75	30
USIYX-082	VI4819T-X	48	52.75	30
USIYX-083	VI4819-X	48	52.75	30
USIYX-084	VI5417T-X	54	62.875	30
USIYX-085	VI5417-U	54	62.875	30
USIYX-086	VI5417-X	54	62.875	30
USIYX-087	VI5418-U	54	62.875	30
USIYX-088	VI5418-X	54	62.875	30
USIYX-089	VI5419T-X	54	62.875	30
USIYX-090	VI5419-X	54	62.875	30
USIYX-091	VI6017T-X	60	68.875	30
USIYX-092	VI6017-U	60	68.875	30
USIYX-093	VI6017-X	60	68.875	30
USIYX-094	VI6018T-X	60	68.875	30
USIYX-095	VI6018-U	60	68.875	30

Copyright© since 1996, VentDepot has all rights reserved.

VentDepot USA, Tel: Toll Free 1-888-514-1516, Direct Line: +1 (626) 771-0048 & Fax: +1 (626) 771-0047 email: sales@ventdepot.com

VentDepot México, Tel: +52 (55)5822-1516, Fax: +52 (55)5825-0752 email: ventas@ventdepot.com

www.VentDepot.com



HVAC Engineering and Supply



IndyExhaust VI Series

File Type: Data Sheet
Last Update: June 21, 2011
Country Code: US
Language: English
File Name:

IndyExhaust_VI_Series_IYX_VentDepot_US_English_enggservices

Dimensions of IndyExhaust, Wall Mounted Exhaust Fan

VentDepot Item#	Triangle Engineering Model No.	Blade Diameter AØ (in)	Overall Square Size B (in)	Depth Size C (in)
USIYX-096	VI6018-X	60	68.875	30
USIYX-097	VI6019T-X	60	68.875	30
USIYX-098	VI6019-W	60	68.875	30
USIYX-099	VI6019-X	60	68.875	30

Copyright© since 1996, VentDepot has all rights reserved.

VentDepot USA, Tel: Toll Free 1-888-514-1516, Direct Line: +1 (626) 771-0048 & Fax: +1 (626) 771-0047 email: sales@ventdepot.com

VentDepot México, Tel: +52 (55)5822-1516, Fax: +52 (55)5825-0752 email: ventas@ventdepot.com

www.VentDepot.com