

**General Characteristics**

The CeilingClean Ceiling Surface-Mounted Media Air Cleaner is designed for use in restaurants, conference rooms, lounges and offices where overhead air cleaning is required, Modules available with 99.97% HEPA filters or a combination of 95% DOP particulate filters and CPZ sorbent media modules. The filters are more efficient on particles larger and smaller than 0.3 micron, The USCGC-001 to USCGC-004 Models, Two-speed, directdrive, forward curve blowers/motors deliver up to 325 cfm (550 cu m/hr), The USCGC-005 to USCGC-008 Models, Single-speed, directdrive, forward curve blowers/motors deliver up to 600 cfm (1020 cu m/hr), Designed to overcome the increase in airflow resistance normally caused by filter loading, Light-colored cover complements most ceiling finishes, Models available with CPZ disposable canisters for odor control. Model available whit disposable CPZ canister for odor control.

**Product Applications**

It is used to Print Shops, offices, computer rooms, critical and healthcare facilities, spas and salons, funeral homes, casinos, restaurants, bingo halls & fraternal clubs, employee lounges, gyms and locker rooms, nursing homes, dental offices & labs, veterinary clinics hospital waiting rooms, energy savings applications, restrooms and more.

**Warranties of Fan Forced Portable Heater 178 Series**

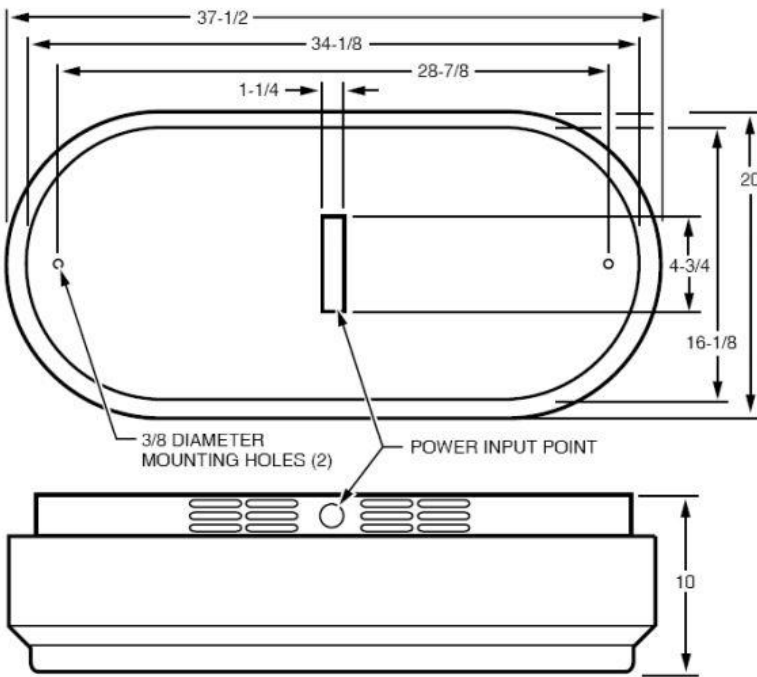
Manufacturer's Limited Warranty: 1 Years..



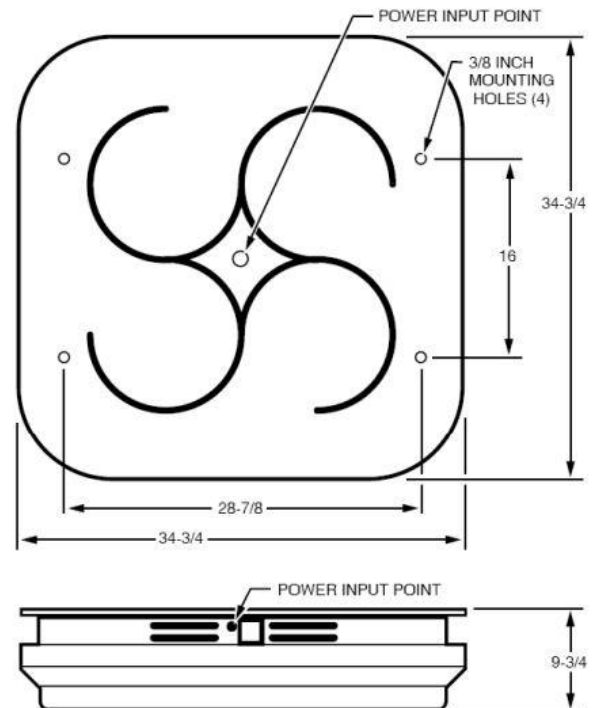
**Specific Characteristics**

Item #	CFM	Volts V	Amperes A	Filtre Hepa/Cpz	HZ	M³/HR	Weight and Dimensions with Packaging	
							Lbs.	L,W,H in.
<b>USCGC-001</b>	325	120	3.6	HEPA 99.97%	60	551	40	38,20,10
<b>USCGC-002</b>	325	120	3.6	CPZ Modules 95%	60	551	40	38,20,10
<b>USCGC-005</b>	600	120	7.2	HEPA 99.97%	50/60	1020	80	35,35,10
<b>USCGC-006</b>	600	120	7.2	CPZ 99.97%	50/60	1020	80	35,35,10

Dimensions (in)			
Series	Length A	Width B	Height C
USCMH-001	8-1/2	9-1/4	13-3/4
USCMH-002	8-1/2	9-1/4	13-3/4
USCMH-005	9-3/4	28-7/8	28-7/8
USCMH-006	9-3/4	28-7/8	28-7/8



▶ The USCGC-001 to USCGC-004 Models



▶ The USCGC-005 to USCGC-008 Models

**CeilingClean should not be installed at heights greater than 4.8 m (16 ft).**

**Features of Fan Forced Portable Heater 178 Series**

- USCMH-001 Connects to a 120 Volt 1 phase plug configuration.



**20 AMP Plug**