

General Characteristics

- ▶ The VentDepot ExploExhaust is an industrial fan designed for use in factories, steel mills, machine shops or anywhere large volumes of warm or stagnant air must be removed.
- ▶ This fan has an Explosion Proof motor and aluminum blades.
- ▶ Units are available from 1/3 to 5 HP, ranging from 4,100 to 43,100 CFM).
- ▶ Motors supplied are Class I, Div. 1, Groups C & D and Class II, Div. 1, Groups F & G.
- ▶ Built with extra heavy duty steel components and frame with unique fastening system for easy field adjustment.
- ▶ Surfaces have a durable powder coat finish.

Product Applications

- ▶ Recommended for most industrial ventilation where hot stagnant air needs to be removed and an Explosion Proof motor is required.
- ▶ CAUTION, WARNING: Although this product is supplied with an explosion proof motor and aluminum spark arresting fan blade, it is not intended to convey the suitability of the overall finished product in an explosive atmosphere, but only that the product has been supplied with certain components for this purpose. Wiring must be in accordance with local, state and national codes and be performed by a qualified electrician.

Warranty

- ▶ Manufacturer's Limited Warranty: 3 Years.

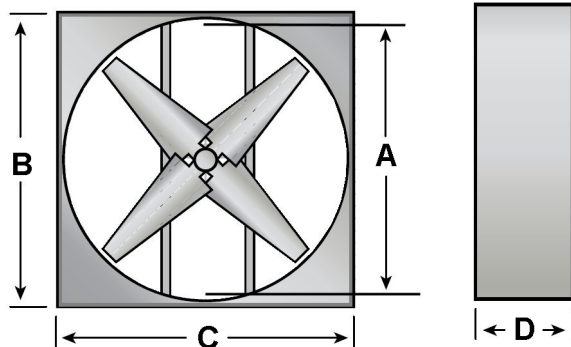


Specific Characteristics

Item #	Provider Code	Ø in.	CFM	RPM	Volts	Amps	Phase	HP	Drive Type	Motor Enclosure	Weight lbs	Shipping size L,W,H	
USEET-001	VI2412HL-U	24	4,100	705	115	230	6.5	1	1/3	Belt	Explosion Proof	101	28,20,28
USEET-002	VI3013HL-U	30	9,000	742	115	230	11.0	1	1/2	Belt	Explosion Proof	113	34,20,32
USEET-003	VI3014HL-U	30	10,000	732	115	230	13.0	1	3/4	Belt	Explosion Proof	117	34,20,32
USEET-004	VI3613HL-X	30	10,000	732	230	460	6.5	1	3/4	Belt	Explosion Proof	117	34,20,32
USEET-005	VI3613HL-U	36	10,400	550	115	230	11.0	1	1/2	Belt	Explosion Proof	138	40,20,40
USEET-006	VI3614HL-U	36	11,100	540	115	230	13.0	1	3/4	Belt	Explosion Proof	146	40,20,40
USEET-007	VI3614HL-X	36	11,100	540	230	460	6.5	1	3/4	Belt	Explosion Proof	146	40,20,40
USEET-008	VI3615HL-U	36	12,100	555	115	230	11.0	1	1	Belt	Explosion Proof	164	40,20,40
USEET-009	VI3615HL-X	36	2,100	555	230	460	5.5	1	1	Belt	Explosion Proof	164	40,20,40
USEET-010	VI4213HL-U	42	13,000	500	115	230	11.0	1	1/2	Belt	Explosion Proof	151	46,20,46
USEET-011	VI4214HL-U	42	14,600	565	115	230	13.0	1	3/4	Belt	Explosion Proof	153	46,20,46
USEET-012	VI4214HL-X	2	14,600	565	230	460	6.5	1	3/4	Belt	Explosion Proof	153	46,20,46
USEET-013	VI4215HL-U	42	15,900	475	115	230	11.0	1	1	Belt	Explosion Proof	164	46,20,46
USEET-014	VI4215HL-X	2	15,900	475	230	460	5.5	1	1	Belt	Explosion Proof	164	46,20,46
USEET-015	VI4216HL-X	2	17,100	450	230	460	5.6	3	1-1/2	Belt	Explosion Proof	161	46,20,46

Specific Characteristics													
Item #	Provider Code	Ø in.	CFM	RPM	Volts		Amps	Phase	HP	Drive Type	Motor Enclosure	Weight lbs	Shipping size L,W,H
USEET-016	VI4216HL-X	42	17,100	450	230	460	2.8	3	1-1/2	Belt	Explosion Proof	161	46,20,46
USEET-017	VI4814HL-U	48	18,900	455	115	230	13	1	3/4	Belt	Explosion Proof	187	52,20,52
USEET-018	VI4814HL-X	48	8,900	455	230	460	6.5	1	3/4	Belt	Explosion Proof	187	52,20,52
USEET-019	VI4815HL-U	48	0,500	470	115	230	11	1	1	Belt	Explosion Proof	198	52,24,52
USEET-020	VI4815HL-X	48	20,500	470	230	460	5.5	1	1	Belt	Explosion Proof	198	52,24,52
USEET-021	VI4816HL-X	48	20,800	480	230	460	5.6	3	1-1/2	Belt	Explosion Proof	200	52,30,52
USEET-022	VI4816HL-X	48	20,800	480	230	460	2.8	3	1-1/2	Belt	Explosion Proof	200	52,30,52
USEET-023	VI4817HL-X	48	21,100	605	230	460	6.4	3	2	Belt	Explosion Proof	267	52,30,52
USEET-024	VI4817HL-X	48	1,100	605	230	460	3.2	3	2	Belt	Explosion Proof	267	52,30,52
USEET-025	VI4818HL-X	48	23,700	610	230	460	8.4	3	3	Belt	Explosion Proof	291	52,30,52
USEET-026	VI4818HL-X	48	3,700	610	230	460	4.2	3	3	Belt	Explosion Proof	291	52,30,52
USEET-027	VI5417HL-X	54	25,500	615	230	460	6.4	3	2	Belt	Explosion Proof	338	62,30,62
USEET-028	VI5417HL-X	54	25,500	615	230	460	3.2	3	2	Belt	Explosion Proof	338	62,30,62
USEET-029	VI5418HL-X	54	30,100	620	230	460	8.4	3	3	Belt	Explosion Proof	343	62,30,62
USEET-030	VI5418HL-X	54	30,100	620	230	460	4.2	3	3	Belt	Explosion Proof	343	62,30,62
USEET-031	VI5419HL-X	54	37,200	650	230	460	13.8	3	5	Belt	Explosion Proof	343	62,30,62
USEET-032	VI5419HL-X	54	37,200	650	230	460	6.9	3	5	Belt	Explosion Proof	343	62,30,62
USEET-033	VI6017HL-X	60	30,200	611	230	460	6.4	3	2	Belt	Explosion Proof	410	68,30,68
USEET-034	VI6017HL-X	60	30,200	611	230	460	3.2	3	2	Belt	Explosion Proof	410	68,30,68
USEET-035	VI6018HL-X	60	34,000	610	230	460	8.4	3	3	Belt	Explosion Proof	418	68,30,68
USEET-036	VI6018HL-X	60	34,000	610	230	460	4.2	3	3	Belt	Explosion Proof	418	68,30,68
USEET-037	VI6019HL-X	60	43,100	650	230	460	3.8	3	5	Belt	Explosion Proof	422	68,30,68
USEET-038	VI6019HL-X	60	43,100	650	230	460	6.9	3	5	Belt	Explosion Proof	422	68,30,68

Dimensions (in)



Item #	ØA	B	C	D
USEET-001	24	30-3/4	30-3/4	20
USEET-(002 to 004)	30	34-3/4	34-3/4	20
USEET-(005 to 009)	36	40-3/4	40-3/4	20
USEET-(010 to 016)	42	46-3/4	46-3/4	20
USEET-(017 to 026)	48	52-3/4	52-3/4	20
USEET-(027 to 032)	54	56-3/4	56-3/4	20
USEET-(033 to 038)	60	64-3/4	64-3/4	20