

### General Characteristics

- ▶ The ElectroAirClean VentDepot Self-Contained Electronic Commercial Air Clean is ceiling mounted and reduces airborne contaminants such as tobacco and cooking smoke, dust, and pollen from the air circulated through the unit.
- ▶ Three-speed fan circulates up to 1250 cfm (35 cu m/minute).
- ▶ Solid state power supply is self-regulating, maintains peak efficiency over a wide range of cell dirt-loading conditions, and provides nonlethal current levels.
- ▶ Interlock switch prevents operation when cover is open or grille is not in place.
- ▶ Heavy-duty commercial cells, prefilter, and grille are removable for cleaning.
- ▶ Three-position adjustable discharge louvers control direction of discharged air.
- ▶ Light-emitting diodes (LED) indicate ON and CHECK.
- ▶ Removes staining dirt from the air, as measured by the Initial Dust Spot Method using atmospheric dust; refer to the American Society of Heating, Refrigerating, and Air Conditioning Engineers (ASHRAE) Standard 52.1-92.

### Product Applications

- ▶ It is used to bingo halls & fraternal clubs, print shops, offices, computer rooms, critical and healthcare facilities, spas and salons, funeral homes, casinos, restaurants, employee lounges, gyms and locker rooms, nursing homes, dental offices & labs, veterinary clinics hospital waiting rooms, energy savings applications, restrooms and more.

### Warranty

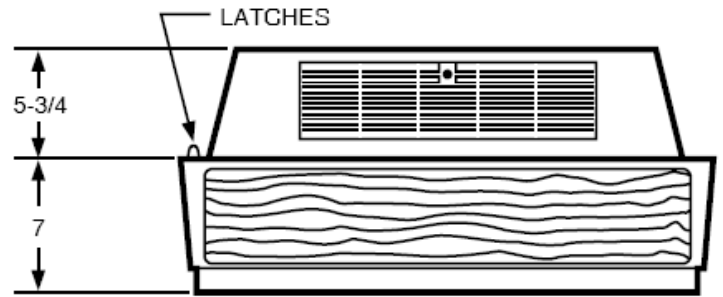
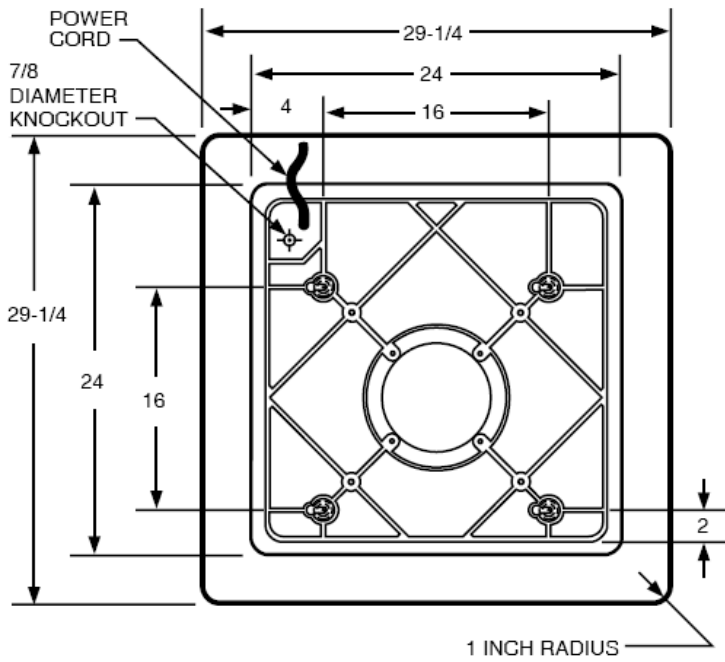
- ▶ Manufacturer's Limited Warranty: 1 Years.



### Specific Characteristics

Item #	Air Volume		Electrical Rating			Finish	Electronic Cells	Shipping Weight and Size	
	CFM	m3/hr	V	Hz	A			lbs	(L,W,H) (in)
<b>USEAC-001</b>	1250	2119	120	60	2.6	Gray	(2) Heavy duty Electronic Commercial Cells	70	30,30,14
<b>USEAC-002</b>	1250	2119	120	60	2.6	Black with Woodgrain	(2) Heavy duty Electronic Commercial Cells	70	30,30,14

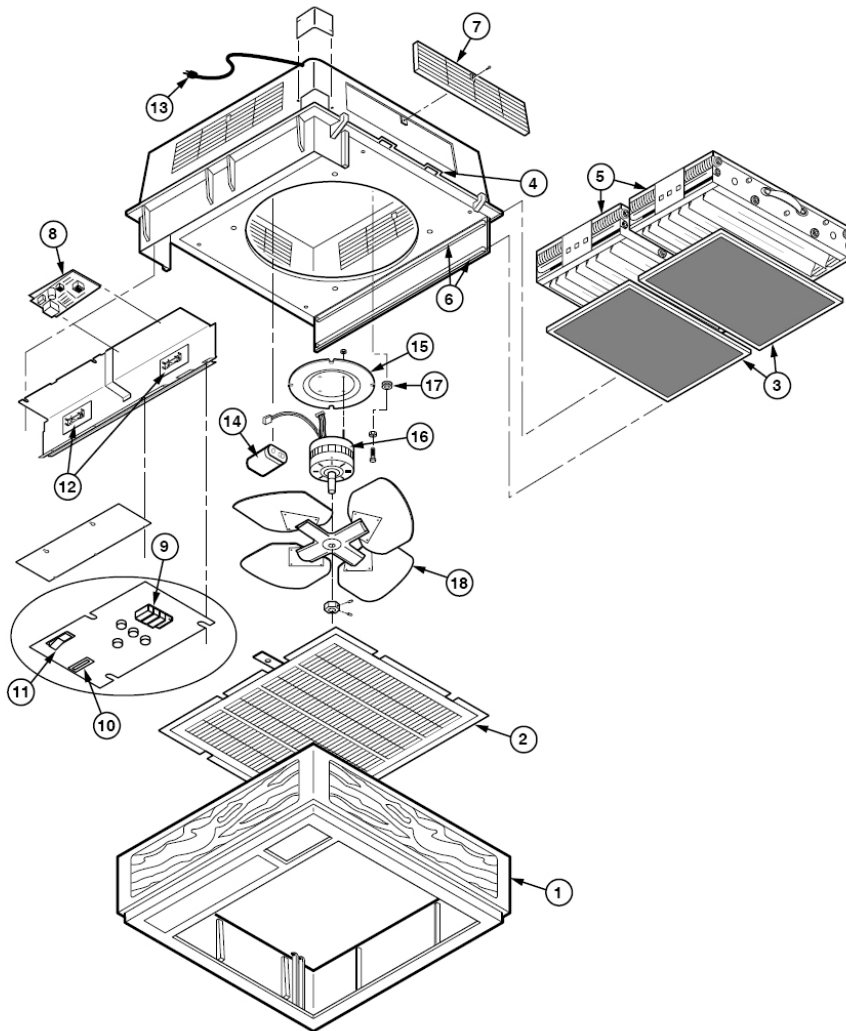
Dimensions (in)



Gallery



### ElectroAirClean Components



- 1 Cover Assembly (includes inlet grille)  
Woodgrain with black trim Gray
- 2 Inlet Grille Woodgrain with black trim  
Gray
- 3 Prefilter (20 x 12-1/2)
- 4 Latch Woodgrain with black trim Gray
- 5 Heavy Duty Commercial Cell (4-1/2 x12-  
1/2 x 20)
- 6 Filter Rail (pre- and post-filter)
- 7 Outlet Louvers Woodgrain with black trim  
Gray
- 8 Solid State Power Supply
- 9 Four-Position Control Switch
- 10 Interlock Switch
- 11 Performance Switch
- 12 Contact Board Assembly
- 13 Power Cord
- 14 Motor Capacitor
- 15 Motor Mounting Plate/Grille
- 16 Motor (does not include mounting plates  
or grommets)
- 17 Rubber Grommets (package of 4)
- 18 Fan