

**General Characteristics of DirectAir Industrial Direct Drive Exhaust Fan, VID Series by Triangle Engineering of Arkansas**

The DirectAir Industrial Direct Drive Exhaust Fan, VID Series by Triangle Engineering of Arkansas is available in 24 inch diameter fans, 30 inch diameter fans, 36 inch diameter fans, 42 inch diameter fans, and 48 inch diameter fans; they can ventilate from 5,910 CFMs up to 19,900 CFMs. Our DirectAir Industrial Direct Drive Exhaust Fans, VID Series by Triangle Engineering of Arkansas has a built in efficient Venturi, allowing better air flow. These fans are coated with a durable polyester powder coat finish. The DirectAir Industrial Direct Drive Exhaust Fans, VID Series by Triangle Engineering of Arkansas, are built with rugged heavy gauge galvanized steel. The DirectAir Industrial Direct Drive Exhaust Fans, VID Series by Triangle Engineering of Arkansas use totally enclosed motors. Maximum operational temperatures for these fans are 140°F or 60°C.

**Product Applications of DirectAir Industrial Direct Drive Exhaust Fan, VID Series by Triangle Engineering of Arkansas**

The DirectAir Industrial Direct Drive Exhaust Fans, VID Series by Triangle Engineering of Arkansas are used for use in factories, steel mills, machine shops, warehouses, or anywhere large volumes of warm or stagnant air must be moved that need ventilation.

**Warranty of DirectAir Industrial Direct Drive Exhaust Fan, VID Series by Triangle Engineering of Arkansas**

Manufacturer's Limited Warranty: 3Year.



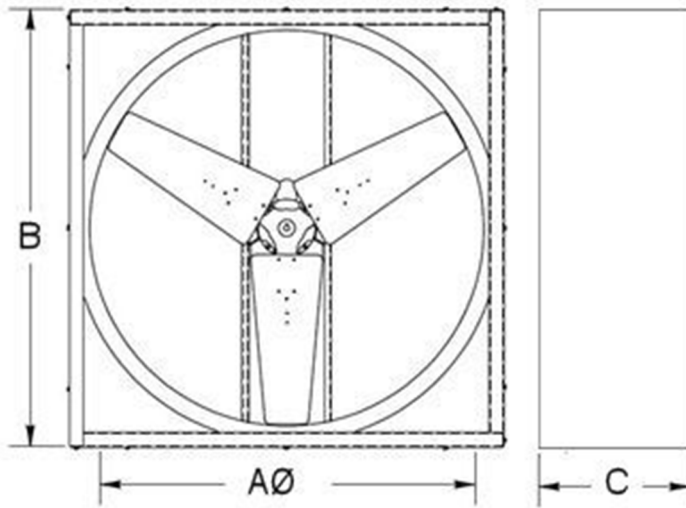
**Specific Characteristics of DirectAir Industrial Direct Drive Exhaust Fan, VID Series by Triangle Engineering of Arkansas**

VentDepot Item #	Triangle Engineering Model No.	Ø Dia. (in)	CFM				Volts	Amps	Phase	HP	Drive Type	Motor Type	Shipping Size L,W,H (in)	Shipping Weight (lbs)
			0.0 SP	0.125 SP	0.25 SP	0.5 SP								
USDRA-001	VID2413TV	24	5910	5080	3740	115	6.0	1	1/2	Direct	Totally Enclosed	30.75,20,30.75	99	
USDRA-002	VID2413TW	24	5910	5080	3740	230	3.0	1	1/2	Direct	Totally Enclosed	30.75,20,30.75	99	
USDRA-003	VID3013TV	30	8770	7600	6240	115	6.0	1	1/2	Direct	Totally Enclosed	34.75,20,34.75	105	
USDRA-004	VID3013TW	30	8770	7600	6240	230	3.0	1	1/2	Direct	Totally Enclosed	34.75,20,34.75	105	
USDRA-005	VID3613TV	36	10800	8840	6550	115	6.0	1	1/2	Direct	Totally Enclosed	40.75,20,40.75	115	
USDRA-006	VID3613TW	36	10800	8840	6550	230	3.0	1	1/2	Direct	Totally Enclosed	40.75,20,40.75	115	
USDRA-007	VID3615TV	36	13500	11630	9100	3930	115	9.1	1	1	Direct	Totally Enclosed	40.75,20,40.75	140
USDRA-008	VID3615TW	36	13500	11630	9100	3930	230	4.6	1	1	Direct	Totally Enclosed	40.75,20,40.75	140
USDRA-009	VID3615TX	36	13100	11400	9200	3440	230/460	5.2/2.6	3	1	Direct	Totally Enclosed	40.75,20,40.75	140
USDRA-010	VID4213TV	42	13190	9900	4840		115	6	1	1/2	Direct	Totally Enclosed	46.75,20,46.75	145
USDRA-011	VID4213TW	42	13190	9900	4840		230	3	1	1/2	Direct	Totally Enclosed	46.75,20,46.75	145
USDRA-012	VID4215TV	42	16300	14200	11500	4000	115	9.1	1	1	Direct	Totally Enclosed	46.75,20,46.75	170
USDRA-013	VID4215TW	42	16300	14200	11500	4000	230	4.6	1	1/2	Direct	Totally Enclosed	46.75,20,46.75	170
USDRA-014	VID4215TX	42	16100	13800	11400	4370	230/460	5.2/2.6	3	1	Direct	Totally Enclosed	46.75,20,46.75	165
USDRA-015	VID4815TV	48	19900	15800	10500		115	9.1	1	1	Direct	Totally Enclosed	52.75,20,52.75	180
USDRA-016	VID4815TW	48	19900	15800	10500		230	4.6	1	1	Direct	Totally Enclosed	52.75,20,52.75	180
USDRA-017	VID4815TX	48	19900	16000	11800		230/460	5.2/2.6	3	1	Direct	Totally Enclosed	52.75,20,52.75	175

Copyright© since 1996, VentDepot has all rights reserved.

VentDepot USA, Tel: Toll Free 1-888-514-1516, Direct Line: +1 (626) 771-0048 & Fax: +1 (626) 771-0047 email: [sales@ventdepot.com](mailto:sales@ventdepot.com)  
VentDepot México, Tel: +52 (55)5822-1516, Fax: +52 (55)5825-0752 email: [ventas@ventdepot.com](mailto:ventas@ventdepot.com)  
[www.VentDepot.com](http://www.VentDepot.com)

Dimensions of DirectAir Industrial Direct Drive Exhaust Fan,  
 VID Series by Triangle Engineering of Arkansas



VentDepot Item#	Triangle Engineering Model No.	Blade Diameter Size AØ (in)	Overall Square Size B (in)	Depth Size C (in)
USDRA-001	VID2413TV	24	30.75	20
USDRA-002	VID2413TW	24	30.75	20
USDRA-003	VID3013TV	30	34.75	20
USDRA-004	VID3013TW	30	34.75	20
USDRA-005	VID3613TV	36	40.75	20
USDRA-006	VID3613TW	36	40.75	20
USDRA-007	VID3615TV	36	40.75	20
USDRA-008	VID3615TW	36	40.75	20
USDRA-009	VID3615TX	36	40.75	20
USDRA-010	VID4213TV	42	46.75	20
USDRA-011	VID4213TW	42	46.75	20
USDRA-012	VID4215TV	42	46.75	20
USDRA-013	VID4215TW	42	46.75	20
USDRA-014	VID4215TX	42	46.75	20
USDRA-015	VID4815TV	48	52.75	20
USDRA-016	VID4815TW	48	52.75	20
USDRA-017	VID4815TX	48	52.75	20

Short Description of DirectAir Industrial Direct Drive Exhaust Fan,  
 VID Series by Triangle Engineering of Arkansas

VentDepot Item No	Triangle Engineering Model No	Short Description 70 Characters Maximum
USDRA-001	VID2413TV	24"Ø, 5910CFM, 115V, 6.0A, 1Ph, 1/2HP, Direct, Enclosed
USDRA-002	VID2413TW	24"Ø, 5910CFM, 230V, 3.0A, 1Ph, 1/2HP, Direct, Enclosed
USDRA-003	VID3013TV	30"Ø, 8770CFM, 115V, 6.0A, 1Ph, 1/2HP, Direct, Enclosed
USDRA-004	VID3013TW	30"Ø, 8770CFM, 230V, 3.0A, 1Ph, 1/2HP, Direct, Enclosed
USDRA-005	VID3613TV	36"Ø, 10800CFM, 115V, 6.0A, 1Ph, 1/2HP, Direct, Enclosed
USDRA-006	VID3613TW	36"Ø, 10800CFM, 230V, 3.0A, 1Ph, 1/2HP, Direct, Enclosed
USDRA-007	VID3615TV	36"Ø, 13500CFM, 115V, 9.1A, 1Ph, 1HP, Direct, Enclosed
USDRA-008	VID3615TW	36"Ø, 13500CFM, 230V, 4.6A, 1Ph, 1HP, Direct, Enclosed
USDRA-009	VID3615TX	36"Ø, 13100CFM, 230/460V, 5.2/2.6A, 3Ph, 1HP, Direct, Enclosed
USDRA-010	VID4213TV	42"Ø, 13190CFM, 115V, 6.0A, 1Ph, 1/2HP, Direct, Enclosed
USDRA-011	VID4213TW	42"Ø, 13190CFM, 230V, 3.0A, 1Ph, 1/2HP, Direct, Enclosed
USDRA-012	VID4215TV	42"Ø, 16300CFM, 115V, 9.1A, 1Ph, 1HP, Direct, Enclosed
USDRA-013	VID4215TW	42"Ø, 16300CFM, 230V, 4.6A, 1Ph, 1/2HP, Direct, Enclosed
USDRA-014	VID4215TX	42"Ø, 16100CFM, 230/460V, 5.2/2.6A, 3Ph, 1HP, Direct, Enclosed
USDRA-015	VID4815TV	48"Ø, 19900CFM, 115V, 9.1A, 1Ph, 1HP, Direct, Enclosed
USDRA-016	VID4815TW	48"Ø, 19900CFM, 230V, 4.6A, 1Ph, 1HP, Direct, Enclosed
USDRA-017	VID4815TX	48"Ø, 19900CFM, 230/460V, 5.2/2.6A, 3Ph, 1HP, Direct, Enclosed



SEO Table of DirectAir Industrial Direct Drive Exhaust Fan,  
VID Series by Triangle Engineering of Arkansas

**Title**

Industrial Direct Drive Exhaust Fan, DirectAir, VID Series, Triangle Engineering of Arkansas

**Meta Description**

Industrial Direct Drive Exhaust Fan DirectAir VID Series Triangle Engineering of Arkansas, Industrial Direct Drive Exhaust Fan DirectAir VID Series Triangle Engineering of Arkansas Kitchen, Industrial Direct Drive Exhaust Fan DirectAir VID Series Triangle Engineering of Arkansas Church, Industrial Direct Drive Exhaust Fan DirectAir VID Series Triangle Engineering of Arkansas Gym, Industrial Direct Drive Exhaust Fan DirectAir VID Series Triangle Engineering of Arkansas Office, Industrial Direct Drive Exhaust Fan DirectAir VID Series Triangle Engineering of Arkansas Warehouse, Industrial Direct Drive Exhaust Fan DirectAir VID Series Triangle Engineering of Arkansas Building, Industrial Direct Drive Exhaust Fan DirectAir VID Series Triangle Engineering of Arkansas School, Industrial Direct Drive Exhaust Fan DirectAir VID Series Triangle Engineering of Arkansas Hospital, Industrial Direct Drive Exhaust Fan DirectAir VID Series Triangle Engineering of Arkansas Hangar, Industrial Direct Drive Exhaust Fan DirectAir VID Series Triangle Engineering of Arkansas Aerospace, Industrial Direct Drive Exhaust Fan DirectAir VID Series Triangle Engineering of Arkansas Military

**Meta Key Words**

Industrial Direct Drive Exhaust Fan DirectAir VID Series Triangle Engineering of Arkansas, Industrial Direct Drive Exhaust Fan DirectAir VID Series Triangle Engineering of Arkansas Kitchen, Industrial Direct Drive Exhaust Fan DirectAir VID Series Triangle Engineering of Arkansas Church, Industrial Direct Drive Exhaust Fan DirectAir VID Series Triangle Engineering of Arkansas Gym, Industrial Direct Drive Exhaust Fan DirectAir VID Series Triangle Engineering of Arkansas Office, Industrial Direct Drive Exhaust Fan DirectAir VID Series Triangle Engineering of Arkansas Warehouse, Industrial Direct Drive Exhaust Fan DirectAir VID Series Triangle Engineering of Arkansas Building, Industrial Direct Drive Exhaust Fan DirectAir VID Series Triangle Engineering of Arkansas School, Industrial Direct Drive Exhaust Fan DirectAir VID Series Triangle Engineering of Arkansas Hospital, Industrial Direct Drive Exhaust Fan DirectAir VID Series Triangle Engineering of Arkansas Hangar, Industrial Direct Drive Exhaust Fan DirectAir VID Series Triangle Engineering of Arkansas Aerospace, Industrial Direct Drive Exhaust Fan DirectAir VID Series Triangle Engineering of Arkansas Military

**Meta URL all words in lower case, separated with underscores (.htm file name)**

industrial\_direct\_drive\_exhaust\_fan\_directair\_vid\_series\_triangle\_engineering\_us\_english.htm