

### General Characteristics

- ▶ The CustomFilter VentDepot, Media Air Cleaner is equipped with a 95% at 0.3 microns Hospital-Grade HEPA particle filter and 40 pounds of CPZ sorbent media. The CPZ adsorbs gases and odors as they pass through the unit.
- ▶ Using a 99.97% Hepa-Flow Hospital Grade filter, the CustomFilter VentDepot can be used in Health & Critical Environment applications.
- ▶ Circulates up to 1230 cfm.
- ▶ Provides Coanda airflow distribution by drawing air from the room into the center of the room and discharging the air to both ends of the room.
- ▶ Designed to overcome the increase in airflow resistance normally caused by filter loading.
- ▶ White or black cover color complements ceiling color.
- ▶ CPZ module removes VOC and space odors for up to 24 months.



### Product Applications

- ▶ It is used to Print Shops, offices, computer rooms, critical and healthcare facilities, spas and salons, funeral homes, casinos, restaurants, bingo halls & fraternal clubs, employee lounges, gyms and locker rooms, nursing homes, dental offices & labs, veterinary clinics hospital waiting rooms, energy savings applications, restrooms and more.

### Warranty

- ▶ Manufacturer's Limited Warranty: 1 Years.

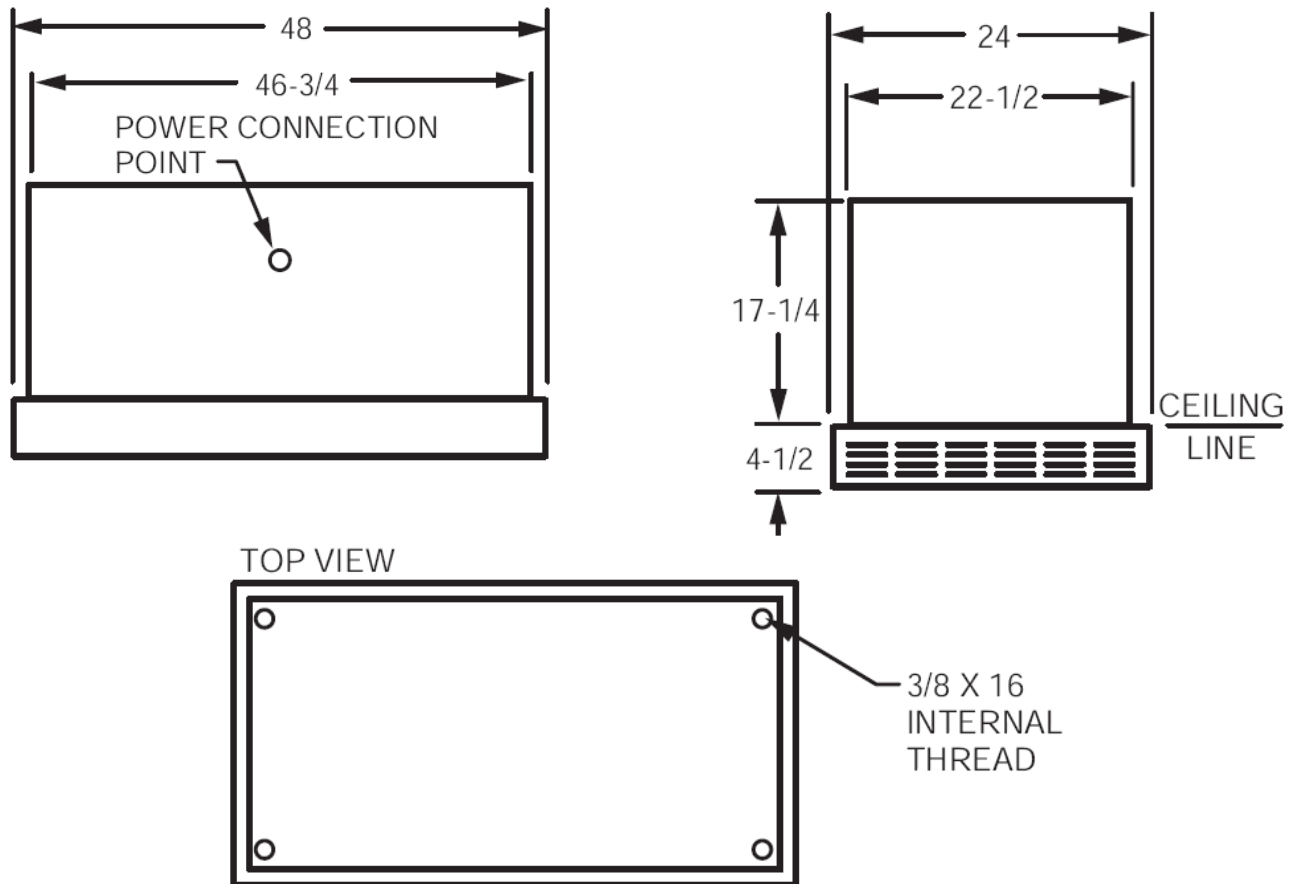
### Specific Characteristics

Item #	Air Volume		Electrical Rating			Sound level dBA	Filter	Finish	Shipping Weight and Size	
	CFM	m3/hr	V	Hz	A				lbs	(L,W,H) (in)
<b>USCTF-001</b>	1250	2119	120	60	6.5	61	(1) 95% ASHRAE Filter	White	43	48,24,24
<b>USCTF-002</b>	1250	2119	120	60	6.5	61	(1) 95% ASHRAE Filter	Black	43	48,24,24
<b>USCTF-003</b>	1000	1695	120	60	6.5	61	(1) 99.97% HEPA Filter	White	43	48,24,24
<b>USCTF-004</b>	1000	1695	120	60	6.5	61	(1) 99.97% HEPA Filter	Black	43	48,24,24
<b>USCTF-005</b>	1000	1695	208/230	50/60	3.7	61	(1) 99.97% HEPA Filter	White	43	48,24,24
<b>USCTF-006</b>	1000	1695	208/230	50/60	3.7	61	(1) 99.97% HEPA Filter	Black	43	48,24,24
<b>USCTF-007</b>	1000	1695	120	60	6.5	61	(1) 95% AT 0.3 micron filter and 2 CPZ Modules	White	43	48,24,24
<b>USCTF-008</b>	1000	1695	120	60	6.5	61	(1) 95% AT 0.3 micron filter and 2 CPZ Modules	Black	43	48,24,24
<b>USCTF-009</b>	1000	1695	277	50/60	2.8	61	(1) 95% AT 0.3 micron filter and 2 CPZ Modules	White	43	48,24,24
<b>USCTF-010</b>	1000	1695	277	50/60	2.8	61	(1) 95% AT 0.3 micron filter and 2 CPZ Modules	Black	43	48,24,24
<b>USCTF-011</b>	1000	1695	208/230	50/60	3.7	61	(1) 95% AT 0.3 micron filter and 2 CPZ Modules	White	43	48,24,24

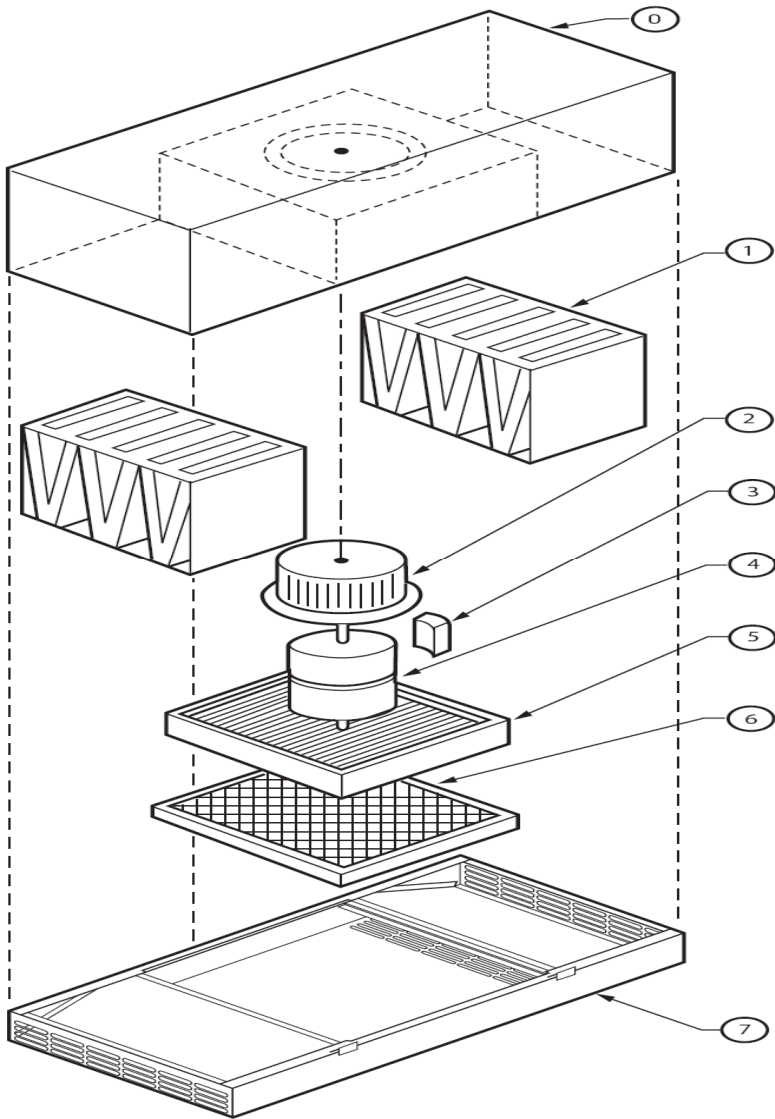
### Specific Characteristics

Item #	Air Volume		Electrical Rating			Sound level dBA	Filter	Finish	Shipping Weight and Size	
	CFM	m3/hr	V	Hz	A				lbs	(L,W,H) (in)
<b>USCTF-012</b>	1000	1695	208/230	50/60	3.7	61	(1) 95% AT 0.3 micron filter and 2 CPZ Modules	Black	43	48,24,24
<b>USCTF-013</b>	1000	1695	120	60	6.5	61	(1) 95% AT 0.3 micron filter and 2 CPZ Modules	White	43	48,24,24
<b>USCTF-014</b>	1000	1695	120	60	6.5	61	(1) 95% AT 0.3 micron filter and 2 CPZ Modules	Black	43	48,24,24
<b>USCTF-015</b>	900	1525	120	60	6.5	61	(1) 99.97% HEPA Filter	White	43	48,24,24
<b>USCTF-016</b>	900	1525	120	60	6.5	61	(1) 99.97% HEPA Filter	Black	43	48,24,24

### Dimensions (in)



### CustomFilter Components



- 0 Cabinet assembly
- 1 Sorbent media module (2 required)
- 2 Blower Wheel
- 3 Motor Capacitor
- 4 Motor
- 5 Media filter
- 6 Prefilter
- 7 Lid assembly with hinges and latches