

General Characteristics

▶ The CeilingClean VentDepot, Ceiling Surface-Mounted Media Air Cleaner is designed for use in restaurants, conference rooms, lounges and offices where overhead air cleaning is required.

▶ Modules available with 99.97% HEPA filters or a combination of 95% DOP particulate filters and CPZ sorbent media modules. The filters in both models are more efficient on particles larger and smaller than 0.3 micron.

▶ The USCGC-001 to USCGC-004 Models, Two-speed, direct-drive, forward curve blowers/motors deliver up to 325 cfm (550 cu m/hr).

▶ The USCGC-005 to USCGC-008 Models, Single-speed, direct-drive, forward curve blowers/motors deliver up to 600 cfm (1020 cu m/hr).

▶ Designed to overcome the increase in airflow resistance normally caused by filter loading.

▶ Light-colored cover complements most ceiling finishes.

▶ Models available with CPZ disposable canisters for odor control. Model available with disposable CPZ canister for odor control.

Product Applications

▶ It is used to Print Shops, offices, computer rooms, critical and healthcare facilities, spas and salons, funeral homes, casinos, restaurants, bingo halls & fraternal clubs, employee lounges, gyms and locker rooms, nursing homes, dental offices & labs, veterinary clinics hospital waiting rooms, energy savings applications, restrooms and more.

Warranty

▶ Manufacturer's Limited Warranty: 1 Years.



USCGC-001 to USCGC-004 Model

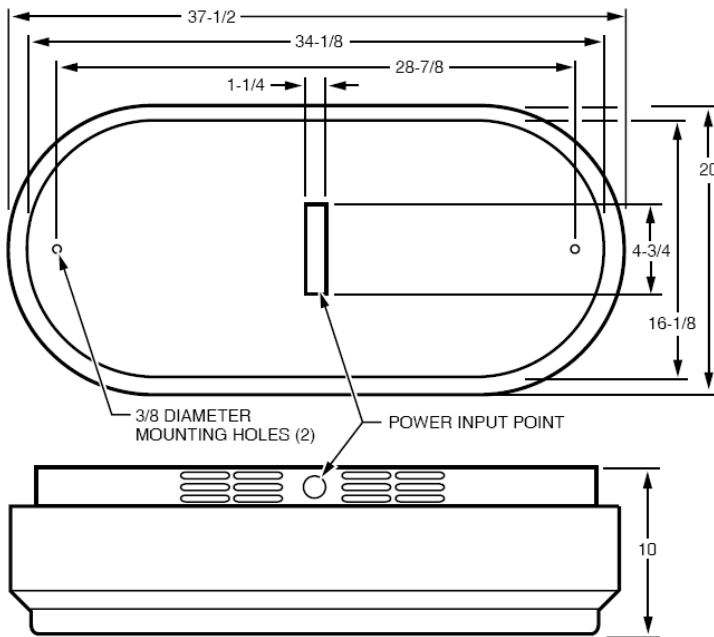


USCGC-005 to USCGC-008 Model

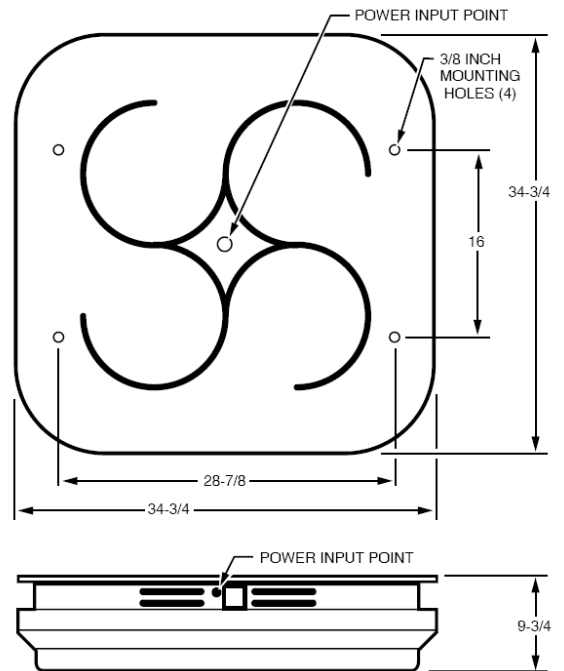
Specific Characteristics

| Item # | Air Volume | | Electrical Rating | | | Speed Model | Sound Level | Filter | Shipping Weight and Size | |
|------------------|------------|-------|-------------------|-------|-----|-------------|-------------|---|--------------------------|--------------|
| | CFM | m3/hr | V | Hz | A | | | | lbs | (L,W,H) (in) |
| USCGC-001 | 325 | 551 | 120 | 60 | 3.6 | 1 | 59 | (2) 99.97% HEPA Media Filter | 40 | 38,20,10 |
| USCGC-002 | 325 | 551 | 120 | 60 | 3.6 | 1 | 59 | (2) 95% AT 0.3 Micron and (2) CPZ Modules | 40 | 38,20,10 |
| USCGC-003 | 325 | 551 | 220/240 | 60 | 1.7 | 1 | 59 | (2) 99.97% HEPA Media Filter | 40 | 38,20,10 |
| USCGC-004 | 325 | 551 | 220/240 | 60 | 1.7 | 1 | 59 | (2) 95% AT 0.3 Micron Filters and (2) CPZ Modules | 40 | 38,20,10 |
| USCGC-005 | 600 | 1020 | 120 | 60 | 7.2 | 1 | 56 | (4) HEPA Media Filters | 80 | 35,35,10 |
| USCGC-006 | 600 | 1020 | 120 | 60 | 7.2 | 1 | 56 | (4) AT 0.3 Micron Filters and (4) CPZ Modules | 80 | 35,35,10 |
| USCGC-007 | 600 | 1020 | 220/240 | 50/60 | 3.6 | 1 | 56 | (4) HEPA Media Filters | 80 | 35,35,10 |
| USCGC-008 | 600 | 1020 | 220/240 | 50/60 | 3.6 | 1 | 56 | (4) AT 0.3 Micron Filters and (4) CPZ Modules | 80 | 35,35,10 |

Dimensions (in)



► The USC GC-001 to USC GC-004 Models



► The USC GC-005 to USC GC-008 Models

► Importante: Los CeilingClean, no deben instalarse en alturas superiores a 4.8m (16 pies).