



CPB-D Series

Commercial Direct Drive Portable Blowers

Data Sheet

General Characteristics of CPB Series Commercial Direct Drive Portable Blowers

2-speed energy saving fan is designed for traditional indoor or sheltered outdoor applications; This 120-volt non-oscillating air handler is rugged, reliable, and an ideal unit for all types of spaces.

Corrosion-resistant steel construction offered in a black finish; It features a 30" and 36" diameter aluminum 3-blade paddle; The 2-speed motor comes with a 1/5 and 1/3 horsepower, permanently lubricated, ball bearing, open vented motor. This hassle-free 30 and 36-inch compact electric fan delivers high airflow and provides easy DIY installation requiring 5-inch rubber wheels to be installed in the field and can be used in gyms, basements, restaurants, etc..

Air circulation device maintains a constant airflow and easily eliminates suffocation in enclosed spaces. The blower is ideal for floor and carpet drying applications in homes, basements, and garages.

Approvals: OSHA approved grates on inlet and discharge ends; UL C/US Listed.

Product Applications of CPB Series Commercial Direct Drive Portable Blowers

For industrial and commercial use. Used for exhausting extra heat, odors and general ventilation purposes in places such as factories, shops, bakeries, loading docks, laundries, gymnasiums, warehouses, aircraft hangars. For indoor and outdoor use.

Warranty of CPB Series Commercial Direct Drive Portable Blowers

Manufacturer's Warranty: 1 year.



Specific Characteristics of CPB Series Commercial Direct Drive Portable Blowers

Item #	Size Ø(In.)	CFM		Volts	Amps A	Phases Ph	HP	Speed	Velocity Profile CFM/Area Sq Ft	Cord Length	Cord Type	Base Type	Switch	Blades	Color	Weight and Dimensions with Packaging	
		High	Low													Lbs.	L,W,H In.
USVCS-001	30	4,400	3,800	120	3.6	1	1/5	2	6700/250	6	SJT	Floor	Rocker	Aluminum	Black	52	33x33x14
USVCS-002	36	5,400	4,600	120	3.6	1	1/3	2	8500/300	10	SJT	Floor	Rotary	Steel	Black	70	39x39x16

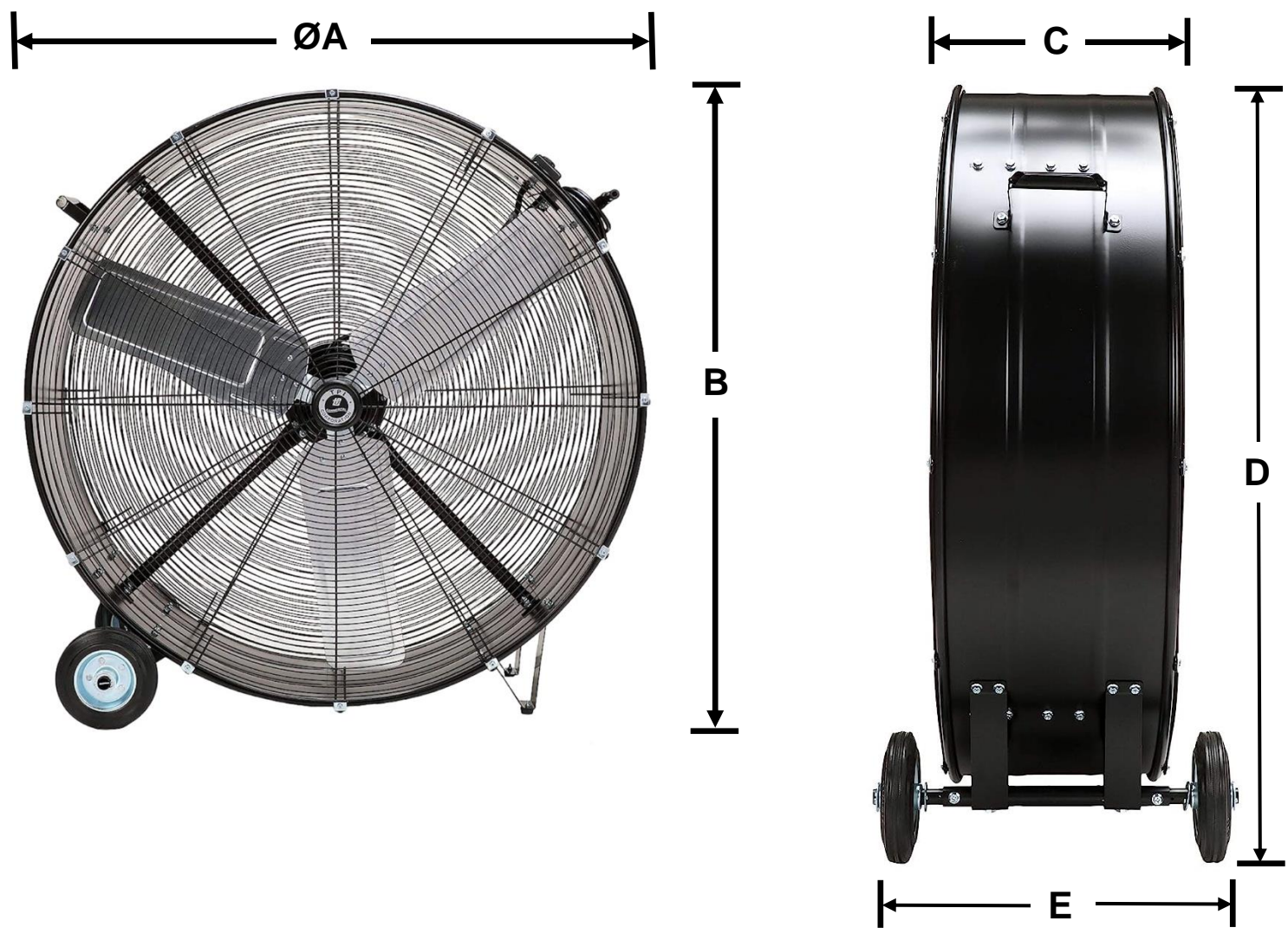


CPB-D Series

Commercial Direct Drive Portable Blowers

Data Sheet

Dimensions (In) of CPB-D Series Commercial Direct Drive Portable Blowers					
Series	Length ØA	Height ØB	Width C	Height D	Width E
USVCS-001	33"	33"	12"	33"	18.5"
USVCS-002	39"	39"	14"	39"	20.5"





CPB-D Series

Commercial Direct Drive Portable Blowers

Data Sheet

Gallery of CPB-D Series Commercial Direct Drive Portable Blowers





CPB-D Series

Commercial Direct Drive Portable Blowers

Data Sheet

Gallery of CPB-D Series Commercial Direct Drive Portable Blowers



ID	Author	Description Error	Description Update	Supervisor Name
V1	Marcela Roldán	Technical Sheet Nueva	Technical Sheet Nueva	Jessica Lorenzo