



**General Characteristics of CE Venturi Mounted Direct Drive Exhaust Fans**

The CE Venturi mounted direct drive exhaust fans are perfect for installing on an inside wall and can be used with external shutter.

Used for both industrial and commercial use.

Used for ventilation.

For indoor use.

Comes with switch: Pull Chain.

No cord-junction box provided for direct wiring.

Made with aluminum blades and steel spiral wire guards.

Motor Specifications: 120V, 1phase, totally enclosed, permanently lubricated.

1/12HP motor is 3-speed sleeve bearing permanent split capacitor.

1/8HP motor is 3-speed sleeve bearing permanent split capacitor.

1/4HP motor is 2-speed ball bearing permanent split capacitor.

Note: rough-in hole size is 1/2" inch larger than fan blade size.

Made in the U.S.A. with domestic and foreign components.



**Product Applications of CE Venturi Mounted Direct Drive Exhaust Fans**

Industrial and commercial use: Gymnasiums, offices, Workshops, Warehouse, Garages, Attics, and General Commercial Ventilation.

For indoor use.

**Warranty of CE Venturi Mounted Direct Drive Exhaust Fans**

Manufacturer's Limited Warranty: 1 year.

**Specific Characteristics of CE Venturi Mounted Direct Drive Exhaust Fans**

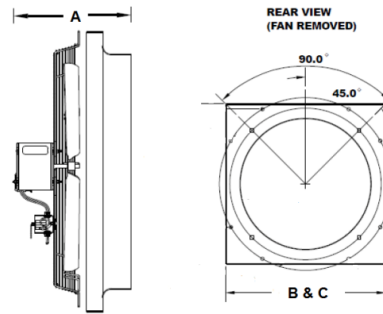
Item #	Manufacturing #	Size Ø(In.)	CFM / RPM			Volts V	Amperes A	Phases PH	HP	Speed	RPM			Weight and Dimensions with Packaging	
			High	Med.	Low						High	Med.	Low	Lbs.	L,W,H In.
USVNF-001	CE 10-DV	10	680	540	460	120	1	1	1/12	3	1560	1250	1080	13	10,14,14
USVNF-002	CE 12-DV	12	825	710	560	120	1.1	1	1/12	3	1560	1250	1080	19	12,16,16
USVNF-003	CE 14-DV	14	1520	1400	1250	120	2	1	1/8	3	1660	1550	1370	19	12,19,19
USVNF-004	CE 16-DV	16	2100	1900	1700	120	2.1	1	1/8	3	1660	1550	1370	20	12,21,21
USVNF-005	CE 18-DV	18	2300	2100	1850	120	2.2	1	1/8	3	1660	1050	1370	28	12,23,23
USVNF-006	CE 20-DV	20	2925	-	2380	120	2.3	1	1/4	2	1140	-	1070	36	12,25,25
USVNF-007	CE 24-DV	24	3400	-	2770	120	2.5	1	1/4	2	1140	-	1070	50	12,31,31
USVNF-008	CE 30-DV	30	3950	-	3080	120	2.7	1	1/4	2	1140	-	1070	57	12,35,35



**Dimensions (In.) of CE Venturi Mounted Direct Drive Exhaust Fans**

Series	Length A	Width B	Height C
USVNF-001	8.017"	12.63"	12.63"
USVNF-002	9.387"	14.50"	14.50"
USVNF-003	9.387"	17.13"	17.13"
USVNF-004	9.387"	19.13"	19.13"
USVNF-005	9.387"	21.00"	21.00"
USVNF-006	9.387"	23.13"	23.13"
USVNF-007	9.387"	29.50"	29.50"
USVNF-008	9.387"	33.50"	33.50"

- Max open length add 6.125"



**Short Description of CE Venturi Mounted Direct Drive Exhaust Fans**

Item #	Manufacturing #	Short Description 70 Characters Maximum
USVNF-001	CE 10-DV	10", 680CFM, 120V, 1A, 1Ph, 1/12HP, 3 Speed, 1560RPM.

**SEO Table of CE Venturi Mounted Direct Drive Exhaust Fans**

Title
TPI CE Venturi Mounted Direct Drive Exhaust Fans.
Meta Description
TPI CE Venturi Mounted Direct Drive Exhaust Fans for Industrial Use, TPI CE Venturi Mounted Direct Drive Exhaust Fans for Commercial use, TPI CE Venturi Mounted Direct Drive Exhaust Fans for Indoor Use, TPI CE Venturi Mounted Direct Drive Exhaust Fans for Ventilation use.
Meta Key Words
TPI CE Venturi Mounted Direct Drive Exhaust Fans for Industrial Use, TPI CE Venturi Mounted Direct Drive Exhaust Fans for Commercial use, TPI CE Venturi Mounted Direct Drive Exhaust Fans for Indoor Use, TPI CE Venturi Mounted Direct Drive Exhaust Fans for Ventilation use.
Meta URL (file name)
Tpi-ce-Venturi-mounted-direct-drive-exhaust-fans-us-english.htm

**Product Line Description of CE Venturi Mounted Direct Drive Exhaust Fans**

```
<FONT Size=1>
<b>Type:</b> TPI CE Venturi Mounted Direct Drive Exhaust Fans<br>
<b>Drive Type:</b> Direct Drive<br>
<b>Motor Type:</b> Totally Enclosed<br>
<b>Manufacturer:</b> TPI<br>
<b>Model Series:</b> CE Venturi Mounted<br>
<b>Voltage:</b> 120V<br>
<b>Horse Power:</b> 1/12, 1/8 or 1/4HP<br>
<b>Diameters:</b> 10", 12", 14", 16", 18", 20", 24" & 30"<br>
<b>Air Flow:</b> 460 to 3950<br>
<b>Weather Rating:</b> Indoor<br>
<b>Ship By:</b> Free LTL Freight<br>
</FONT>
```