



AuraGravity

Data Sheet

General Characteristics of Gravity Roof Ventilator, AuraGravity.

The Gravity Ceiling Fan is an innovative vent that operates without moving parts. It utilizes a unique design harnessing the power of the Venturi effect and the chimney effect to create an efficient airflow. Instead of relying on rotating mechanisms, the vent's outer blades create a vortex when the wind blows against them, drawing air upwards and out of the vent.

This natural ventilation process allows for heat removal in summer and moisture control in Winter, ensuring year-round ventilation.

Features

- Removes heat from the attic in the summer and moisture in the Winter.
- Exhausts air like a roof turbine but with no moving parts.
- Louvers will prevent rain, snow, insects and animal from entering.
- If installed 1-2 feet from peak it can be installed on 3/12 pitch or greater.
- Constructed of durable rust-free aluminum
- UL Certified, Florida State & California Fire Code approved, Texas Departamento of Insurance approved.
- Tested to withstand wind speeds of 200+ mph
- Available in various colors.

Product Applications of Gravity Roof Ventilator, AuraGravity.

It adapts to residential and commercial buildings, as well as roofs with flat or steep slopes. A professional can install a Gravity Ventilator in any climate zone and on all types of roofs.

Refer to the Climate Zone Chart to determine the appropriate collar height for installation in your area. The installation of the Aura Gravity Ventilator is a simple process. Homeowners and professionals can install these vents on both new roofs and to replace old roof turbines.

Refer to the installation instructions provided by AVP to ensure proper installation and maximize the vent's effectiveness. Roof vents require no maintenance.

Warranty of Gravity Roof Ventilator, AuraGravity.

Manufacturer's Warranty: 1-Year



**Active
Ventilation
Products**





Specific Characteristics of Gravity Roof Ventilator, AuraGravity.

Item #	Manufacturing #	Diameter	NFA Net Free Area in Sq. in.	IBC 1/300	CFM Performance Testing					Pitch Capacity		Net Free Vent Area		Tall Collar	Weight and Dimensions with Packaging		
					4mph	5.2mph	7.4mph	9.8mph	11mph	Min	Max (Standard Vent)	Max (Modified)	Inches		feet	Lbs.	L,W,H In
USGRV-001	AV-4-C2	4"	12	50	26	38	51	59	62	3/12	6/12	12/12	12	0.08	2"	1	11,10,11
USGRV-002	AV-4-C4	4"	12	50	26	38	51	59	62	3/12	6/12	12/12	12	0.08	4"	1.2	11,12,11
USGRV-003	AV-4-C6	4"	12	50	26	38	51	59	62	0/12	5/12	12/12	12	0.08	6"	1.27	11,14,11
USGRV-004	AV-4-C8	4"	12	50	26	38	51	59	62	0/12	5/12	12/12	12	0.08	8"	1.33	11,16,11
USGRV-005	AV-4-C12	4"	12	50	26	38	51	59	62	0/12	5/12	12/12	12	0.08	12"	1.49	11,20,11
USGRV-006	AV-6-C2	6"	28	116	41	62	80	122	126	3/12	6/12	12/12	28	0.19	2"	1.65	13,10,13
USGRV-007	AV-6-C4	6"	28	116	41	62	80	122	126	3/12	6/12	12/12	28	0.19	4"	1.65	13,12,13
USGRV-008	AV-6-C6	6"	28	116	41	62	80	122	126	0/12	5/12	12/12	28	0.19	6"	1.7	13,14,13
USGRV-009	AV-6-C8	6"	28	116	41	62	80	122	126	0/12	5/12	12/12	28	0.19	8"	1.81	13,16,13
USGRV-010	AV-6-C12	6"	28	116	41	62	80	122	126	0/12	5/12	12/12	28	0.19	12"	1.95	13,20,13
USGRV-011	AV-8-C2	8"	50	208	80	98	145	165	185	3/12	6/12	12/12	50	0.35	2"	2.2	15,10,15
USGRV-012	AV-8-C4	8"	50	208	80	98	145	165	185	3/12	6/12	12/12	50	0.35	4"	2.2	15,12,15
USGRV-013	AV-8-C6	8"	50	208	80	98	145	165	185	0/12	5/12	12/12	50	0.35	6"	2.25	15,14,15
USGRV-014	AV-8-C8	8"	50	208	80	98	145	165	185	0/12	5/12	12/12	50	0.35	8"	2.36	15,16,15
USGRV-015	AV-8-C12	8"	50	208	80	98	145	165	185	0/12	5/12	12/12	50	0.35	12"	2.8	15,20,15
USGRV-016	AV-10-C2	10"	78	325	100	117	186	218	248	3/12	6/12	12/12	78	0.54	2"	2.01	17,10,17
USGRV-017	AV-10-C4	10"	78	325	100	117	186	218	248	3/12	6/12	12/12	78	0.54	4"	2.01	17,12,17
USGRV-018	AV-10-C6	10"	78	325	100	117	186	218	248	0/12	5/12	12/12	78	0.54	6"	2.92	17,14,17
USGRV-019	AV-10-C8	10"	78	325	100	117	186	218	248	0/12	5/12	12/12	78	0.54	8"	3.01	17,16,17
USGRV-020	AV-10-C12	10"	78	325	100	117	186	218	248	0/12	5/12	12/12	78	0.54	12"	3.45	17,20,17
USGRV-021	AV-12-C2	12"	113	470	120	135	227	270	310	3/12	6/12	12/12	113	0.78	2"	3.2	19,10,19
USGRV-022	AV-12-C4	12"	113	470	120	135	227	270	310	3/12	6/12	12/12	113	0.78	4"	3.4	19,12,19
USGRV-023	AV-12-C6	12"	113	470	120	135	227	270	310	0/12	5/12	12/12	113	0.78	6"	3.6	19,14,19
USGRV-024	AV-12-C8	12"	113	470	120	135	227	270	310	0/12	5/12	12/12	113	0.78	8"	4	19,16,19
USGRV-025	AV-12-C12	12"	113	470	120	135	227	270	310	0/12	5/12	12/12	113	0.78	12"	4.4	19,20,19
USGRV-026	AV-14-C2	14"	144	600	178	200	280	315	360	3/12	6/12	12/12	144	1	2"	4	21,10,21
USGRV-027	AV-14-C4	14"	144	600	178	200	280	315	360	3/12	6/12	12/12	144	1	4"	4	21,12,21
USGRV-028	AV-14-C6	14"	144	600	178	200	280	315	360	0/12	5/12	12/12	144	1	6"	4.4	21,14,21
USGRV-029	AV-14-C8	14"	144	600	178	200	280	315	360	0/12	5/12	12/12	144	1	8"	4.6	21,16,21
USGRV-030	AV-14-C12	14"	144	600	178	200	280	315	360	0/12	5/12	12/12	144	1	12"	4.6	21,20,21
USGRV-031	AV-16-C2	16"	200	833	246	276	387	435	497	3/12	6/12	12/12	200	1.39	2"	8.8	23,12,23
USGRV-032	AV-16-C4	16"	200	833	246	276	387	435	497	3/12	6/12	12/12	200	1.39	4"	8.8	23,14,23
USGRV-033	AV-16-C6	16"	200	833	246	276	387	435	497	0/12	5/12	12/12	200	1.39	6"	9.4	23,16,23
USGRV-034	AV-16-C8	16"	200	833	246	276	387	435	497	0/12	5/12	12/12	200	1.39	8"	9.8	23,18,23
USGRV-035	AV-16-C12	16"	200	833	246	276	387	435	497	0/12	4/12	12/12	200	1.39	12"	12	23,22,23
USGRV-036	AV-18-C2	18"	254	1058	313	352	493	554	634	3/12	6/12	12/12	254	1.76	2"	9.6	25,12,25
USGRV-037	AV-18-C4	18"	254	1058	313	352	493	554	634	3/12	6/12	12/12	254	1.76	4"	10	25,14,25
USGRV-038	AV-18-C6	18"	254	1058	313	352	493	554	634	3/12	6/12	12/12	254	1.76	6"	10	25,16,25
USGRV-039	AV-18-C8	18"	254	1058	313	352	493	554	634	0/12	5/12	12/12	254	1.76	8"	10	25,18,25
USGRV-040	AV-18-C12	18"	254	1058	313	352	493	554	634	0/12	4/12	12/12	254	1.76	12"	15	25,22,25
USGRV-041	AV-20-C2	20"	314	1308	436	462	685	771	881	3/12	5/12	12/12	314	2.18	2"	12	27,13,27
USGRV-042	AV-20-C4	20"	314	1308	436	462	685	771	881	3/12	5/12	12/12	314	2.18	4"	12	27,15,27
USGRV-043	AV-20-C6	20"	314	1308	436	462	685	771	881	0/12	5/12	12/12	314	2.18	6"	12.6	27,17,27
USGRV-044	AV-20-C8	20"	314	1308	436	462	685	771	881	0/12	5/12	12/12	314	2.18	8"	12.6	27,19,27
USGRV-045	AV-20-C12	20"	314	1308	436	462	685	771	881	0/12	4/12	12/12	314	2.18	12"	18	27,23,27
USGRV-046	AV-24-C2	24"	452	1883	558	572	877	987	1128	3/12	4/12	12/12	452	3.14	2"	14.8	31,14,31
USGRV-047	AV-24-C4	24"	452	1883	558	572	877	987	1128	3/12	4/12	12/12	452	3.14	4"	15.2	31,16,31
USGRV-048	AV-24-C6	24"	452	1883	558	572	877	987	1128	0/12	4/12	12/12	452	3.14	6"	16.4	31,18,31
USGRV-049	AV-24-C8	24"	452	1883	558	572	877	987	1128	0/12	4/12	12/12	452	3.14	8"	17	31,20,31
USGRV-050	AV-24-C12	24"	452	1883	558	572	877	987	1128	0/12	4/12	12/12	452	3.14	12"	20	31,24,31
USGRV-051	AV-30-C2	30"	706	2941	837	858	1316	1481	1692	3/12	4/12	12/12	706	4.90	2"	30	38,16,38
USGRV-052	AV-30-C4	30"	706	2941	837	858	1316	1481	1692	3/12	4/12	12/12	706	4.90	4"	30	38,18,38
USGRV-053	AV-30-C6	30"	706	2941	837	858	1316	1481	1692	0/12	4/12	12/12	706	4.90	6"	30	38,20,38
USGRV-054	AV-30-C8	30"	706	2941	837	858	1316	1481	1692	0/12	4/12	12/12	706	4.90	8"	30	38,22,38
USGRV-055	AV-30-C12	30"	706	2941	837	858	1316	1481	1692	0/12	4/12	12/12	706	4.90	12"	32	38,26,38



Specific Characteristics of Gravity Roof Ventilator, AuraGravity.

Item #	Manufacturing #	Diameter	NFA Net Free Area in Sq. in.	IBC 1/300	CFM Performance Testing					Pitch Capacity		Net Free Vent Area		Tail Collar	Weight and Dimensions with Packaging		
					4mph	5.2mph	7.4mph	9.8mph	11mph	Min	Max (Standard Vent)	Max (Modified)	Inches		feet	Lbs.	L,W,H In
USGRV-056	AV-36-C4	36"	1017	4237	1256	1287	1973	2221	2538	3/12	5/12	12/12	1017	7.06	4"	35	44,20,44
USGRV-057	AV-36-C6	36"	1017	4237	1256	1287	1973	2221	2538	0/12	3/12	12/12	1017	7.06	6"	35	44,22,44
USGRV-058	AV-36-C8	36"	1017	4237	1256	1287	1973	2221	2538	0/12	3/12	12/12	1017	7.06	8"	35	44,24,44
USGRV-059	AV-36-C12	36"	1017	4237	1256	1287	1973	2221	2538	0/12	3/12	12/12	1017	7.06	12"	35	44,28,44
USGRV-060	AV-42-C4	42"	1384	5766	1883	1931	2960	3331	4997	3/12	5/12	12/12	1384	9.61	4"	40	50,24,50
USGRV-061	AV-42-C6	42"	1384	5766	1883	1931	2960	3331	4997	0/12	3/12	12/12	1384	9.61	6"	40	50,26,50
USGRV-062	AV-42-C8	42"	1384	5766	1883	1931	2960	3331	4997	0/12	3/12	12/12	1384	9.61	8"	40	50,28,50
USGRV-063	AV-42-C12	42"	1384	5766	1883	1931	2960	3331	4997	0/12	3/12	12/12	1384	9.61	12"	40	50,32,50
USGRV-064	AV-48-C4	48"	1808	7533	2825	2896	4440	4997	5711	3/12	4/12	12/12	1808	12.56	4"	50	56,24,56
USGRV-065	AV-48-C6	48"	1808	7533	2825	2896	4440	4997	5711	0/12	3/12	12/12	1808	12.56	6"	50	56,26,56
USGRV-066	AV-48-C8	48"	1808	7533	2825	2896	4440	4997	5711	0/12	3/12	12/12	1808	12.56	8"	50	56,28,56
USGRV-067	AV-48-C12	48"	1808	7533	2825	2896	4440	4997	5711	0/12	3/12	12/12	1808	12.56	12"	50	56,32,56

Dimensions (In.) of Gravity Roof Ventilator, AuraGravity.

Series		A	B	C	D	E	F	G	H
USGRV-001	AV-4-C2	9	4	2.7	7.4	4	6	2	8
USGRV-002	AV-4-C4	9	4	4.7	7.4	4	6	4	10
USGRV-003	AV-4-C6	9	4	6.7	7.4	4	6	6	12
USGRV-004	AV-4-C8	9	4	8.7	7.4	4	6	8	14
USGRV-005	AV-4-C12	9	4	12.7	7.4	4	6	12	18
USGRV-006	AV-6-C2	11	6	2.7	9	4	6	2	8
USGRV-007	AV-6-C4	11	6	4.7	9	4	6	4	10
USGRV-008	AV-6-C6	11	6	6.7	9	4	6	6	12
USGRV-009	AV-6-C8	11	6	8.7	9	4	6	8	14
USGRV-010	AV-6-C12	11	6	12.7	9	4	6	12	18
USGRV-011	AV-8-C2	13	8	2.7	11.4	4	6	2	8
USGRV-012	AV-8-C4	13	8	4.7	11.4	4	6	4	10
USGRV-013	AV-8-C6	13	8	6.7	11.4	4	6	6	12
USGRV-014	AV-8-C8	13	8	8.7	11.4	4	6	8	14
USGRV-015	AV-8-C12	13	8	12.7	11.4	4	6	12	18
USGRV-016	AV-10-C2	15	10	2.7	14.1	4	6	2	8
USGRV-017	AV-10-C4	15	10	4.7	14.1	4	6	4	10
USGRV-018	AV-10-C6	15	10	6.7	14.1	4	6	6	12
USGRV-019	AV-10-C8	15	10	8.7	14.1	4	6	8	14
USGRV-020	AV-10-C12	15	10	12.7	14.1	4	6	12	18
USGRV-021	AV-12-C2	17	12	2.7	16	4	6	2	8
USGRV-022	AV-12-C4	17	12	4.7	16	4	6	4	10
USGRV-023	AV-12-C6	17	12	6.7	16	4	6	6	12
USGRV-024	AV-12-C8	17	12	8.7	16	4	6	8	14
USGRV-025	AV-12-C12	17	12	12.7	16	4	6	12	18
USGRV-026	AV-14-C2	19	14	2.7	18	4	6	8	8
USGRV-027	AV-14-C4	19	14	4.7	18	4	6	4	10
USGRV-028	AV-14-C6	19	14	6.7	18	4	6	6	12
USGRV-029	AV-14-C8	19	14	8.7	18	4	6	8	14
USGRV-030	AV-14-C12	19	14	12.7	18	4	6	12	18
USGRV-031	AV-16-C2	21	16	2.7	21	5.5	8	2	10
USGRV-032	AV-16-C4	21	16	4.7	21	5.5	8	4	12
USGRV-033	AV-16-C6	21	16	6.7	21	5.5	8	6	14
USGRV-034	AV-16-C8	21	16	8.7	21	5.5	8	8	16
USGRV-035	AV-16-C12	21	16	12.7	21	5.5	8	12	20
USGRV-036	AV-18-C2	23	18	2.7	23	5.5	8	2	10
USGRV-037	AV-18-C4	23	18	4.7	23	5.5	8	4	12
USGRV-038	AV-18-C6	23	18	6.7	23	5.5	8	6	14
USGRV-039	AV-18-C8	23	18	8.7	23	5.5	8	8	16
USGRV-040	AV-18-C12	23	18	12.7	23	5.5	8	12	20
USGRV-041	AV-20-C2	25	20	3	25	6.5	9	2	11
USGRV-042	AV-20-C4	25	20	5	25	6.5	9	4	13
USGRV-043	AV-20-C6	25	20	7	25	6.5	9	6	15
USGRV-044	AV-20-C8	25	20	9	25	6.5	9	8	17
USGRV-045	AV-20-C12	25	20	13	25	6.5	9	12	21



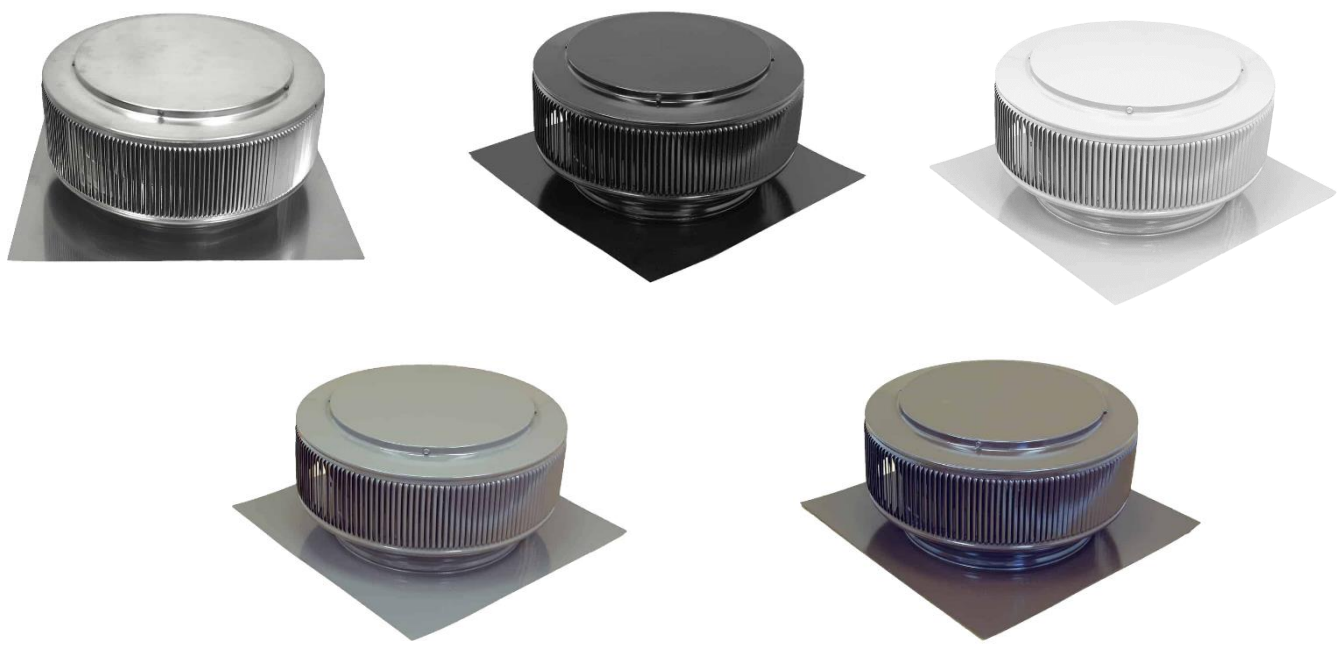
AuraGravity

Data Sheet

Dimensions (In.) of Gravity Roof Ventilator, AuraGravity.

Series		A	B	C	D	E	F	G	H
USGRV-046	AV-24-C2	29	24	2.5	29	7.5	10	2	12
USGRV-047	AV-24-C4	29	24	4.5	29	7.5	10	4	14
USGRV-048	AV-24-C6	29	24	6.5	29	7.5	10	6	16
USGRV-049	AV-24-C8	29	24	8.5	29	7.5	10	8	18
USGRV-050	AV-24-C12	29	24	12.5	29	7.5	10	12	22
USGRV-051	AV-30-C2	36	30	3	36	9	12	2	14
USGRV-052	AV-30-C4	36	30	5	36	9	12	4	16
USGRV-053	AV-30-C6	36	30	7	36	9	12	6	18
USGRV-054	AV-30-C8	36	30	9	36	9	12	8	20
USGRV-055	AV-30-C12	36	30	13	36	9	12	12	24
USGRV-056	AV-36-C4	42	36	5.1	42	10.5	14	4	18
USGRV-057	AV-36-C6	42	36	7.1	42	10.5	14	6	20
USGRV-058	AV-36-C8	42	36	9.1	42	10.5	14	8	22
USGRV-059	AV-36-C12	42	36	13.1	42	10.5	14	12	26
USGRV-060	AV-42-C4	48	42	5	48	14.5	18	4	22
USGRV-061	AV-42-C6	48	42	7	48	14.5	18	6	24
USGRV-062	AV-42-C8	48	42	9	48	14.5	18	8	26
USGRV-063	AV-42-C12	48	42	13	48	14.5	18	12	30
USGRV-064	AV-48-C4	54	48	5	54	14.5	18	4	22
USGRV-065	AV-48-C6	54	48	7	54	14.5	18	6	24
USGRV-066	AV-48-C8	54	48	9	54	14.5	18	8	26
USGRV-067	AV-48-C12	54	48	13	54	14.5	18	12	30

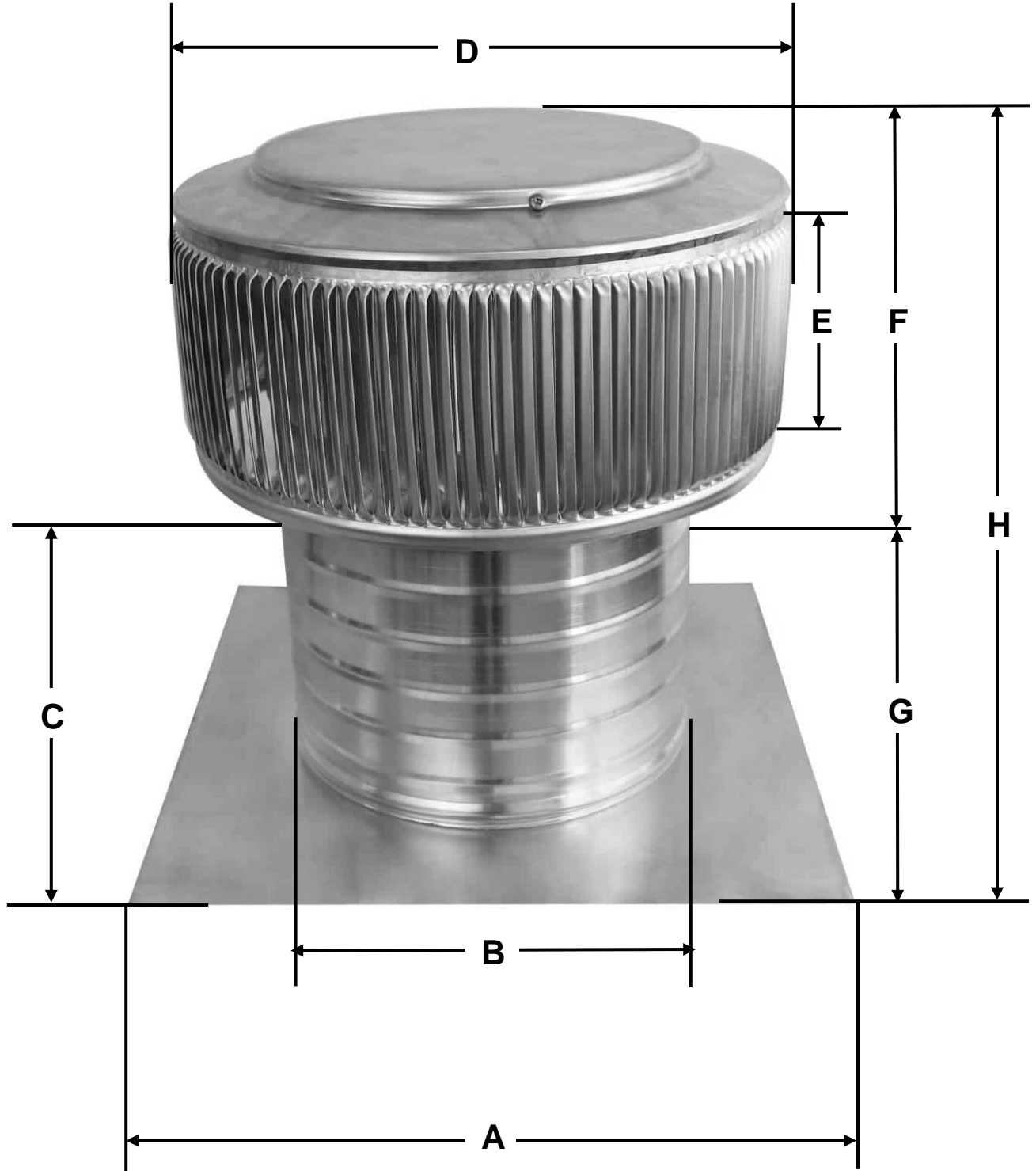
Unpainted | Standard Colors





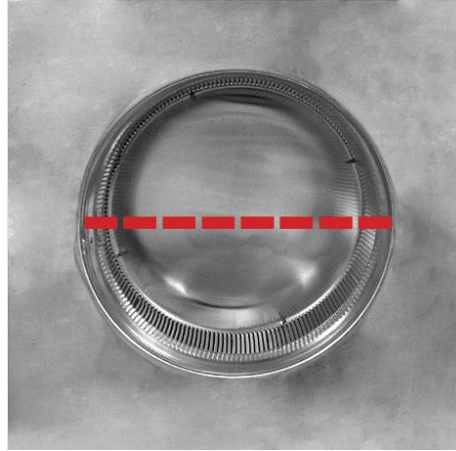
AuraGravity

Data Sheet





Gallery Image of Gravity Roof Ventilator, AuraGravity.



Diameter



2" Tall Collar

4" Tall Collar

6" Tall Collar

8" Tall Collar

12" Tall Collar



VentDepot.com

Ecological HVAC Supply & Engineering
1-888-514-1516, (626) 771-0048, F: (626) 771-0047
sales@ventdepot.com www.VentDepot.com



AuraGravity

Data Sheet



VentDepot .com

Ecological HVAC Supply & Engineering
1-888-514-1516, (626) 771-0048, F: (626) 771-0047
sales@ventdepot.com www.VentDepot.com



AuraGravity

Data Sheet



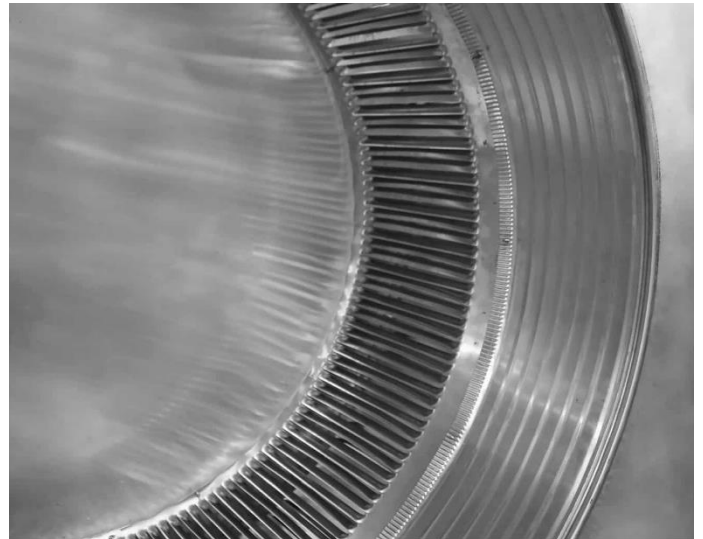
VentDepot•com

Ecological HVAC Supply & Engineering
1-888-514-1516, (626) 771-0048, F: (626) 771-0047
sales@ventdepot.com www.VentDepot.com



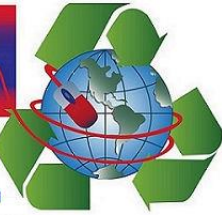
AuraGravity

Data Sheet



VentDepot .com

Ecological HVAC Supply & Engineering
1-888-514-1516, (626) 771-0048, F: (626) 771-0047
sales@ventdepot.com www.VentDepot.com



AuraGravity

Data Sheet



VentDepot•com

Ecological HVAC Supply & Engineering
1-888-514-1516, (626) 771-0048, F: (626) 771-0047
sales@ventdepot.com www.VentDepot.com



AuraGravity

Data Sheet



ID	Author	Description Error	Description Update	Supervisor Name
V1	Marcela Roldán	Technical Sheet Nueva	Technical Sheet Nueva	J.L.