



# AuraCurb

## Data Sheet

### General Characteristics of Aura Roof Exhaust Fan with Curb Mount Flange, AuraCurb.

The Aura Attic Fan exhausts air for proper attic ventilation. This fan will exhaust air continuously even when the motor is off. It also works passively because of the Venturi Effect. This occurs when the wind blows against the outer louver to create an upward draft. As a result, allowing air to freely flow in and out. Aura Attic Fans remove hot humid air during the summer and moist damp air during the Winter. This not only keeps the insulation dry but will lengthen the life of the roof.

Aura Attic Fans have vertical louvers that prevent rain and snow from entering. These louvers also keep out insects and animals. As a result, this keeps the fan clean which allows maximum air exhaustion without resistance. In addition, this fan has a removable top which makes it easy for maintenance on the unit.

The Aura Fan with Curb Mount Flange is designed for easy installation on a Roof Curb. As a result, this gives the vent head extra clearance allowing for installation in all climate zones. AVP now offers 6" tall roof curbs and 12" tall roof curbs.

The Attic Fan comes in an-array of diameters and collar heights allowing for installation in all climate zones.

### Product Applications of Aura Roof Exhaust Fan with Curb Mount Flange, AuraCurb.

It adapts to residential and commercial buildings, as well as roofs with flat or steep slopes.

Refer to the Climate Zone Chart to determine the appropriate collar height for installation in your area. The installation of the Attic Fan is a simple process. Homeowners and professionals can install these vents on both new roofs and to replace old roof turbines.

Refer to the installation instructions provided by AVP to ensure proper installation and maximize the vent's effectiveness. Roof vents require no maintenance.

### Warranty of Aura Roof Exhaust Fan with Curb Mount Flange, AuraCurb.

Manufacturer's Warranty: 1-Year



## Active Ventilation Products





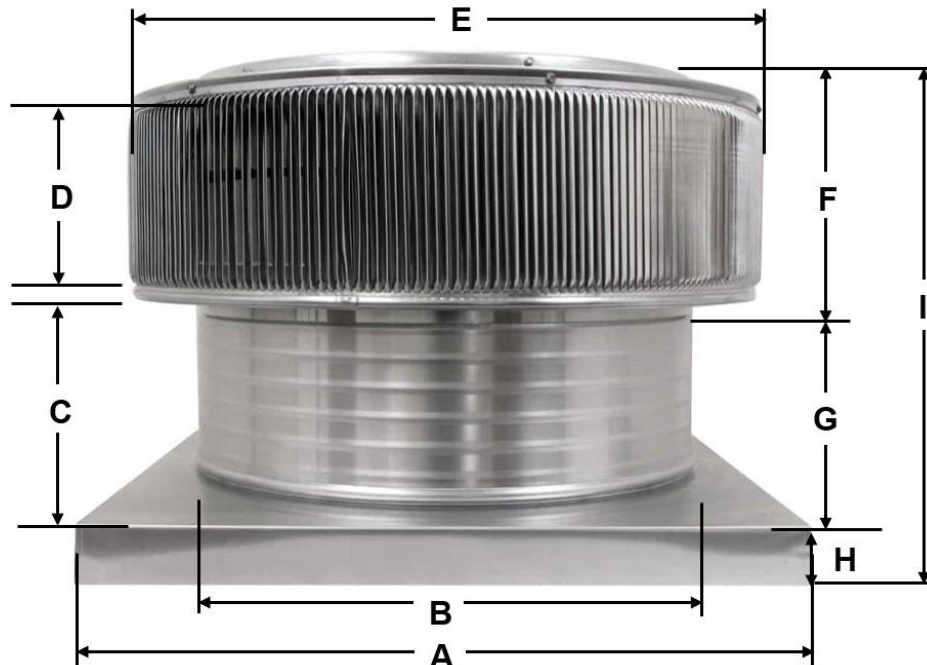
### Specific Characteristics of Aura Roof Exhaust Fan with Curb Mount Flange, AuraCurb.

Item #	Manufacturing #	Diameter	Tall Collar	CMF Width	CFM	HP	Amps	RPM	Net Free Vent Area		Application per Sq. Foot		Weight and Dimensions with Packaging	
									Sq. In.	Sq. Ft.	(1/150)	(1/300)	Lbs.	W,H,D In
USAUC-001	AF-6-C4-CMF	6"	4"	9.5"	120	1/55	0.9	1500	28	0.19	58	116	8	12,11,12
USAUC-002	AF-6-C6-CMF	6"	6"	9.5"	120	1/55	0.9	1500	28	0.19	58	116	9.4	12,13,12
USAUC-003	AF-6-C8-CMF	6"	8"	9.5"	120	1/55	0.9	1500	28	0.19	58	116	9.8	12,15,12
USAUC-004	AF-6-C12-CMF	6"	12"	9.5"	120	1/55	0.9	1500	28	0.19	58	116	12	12,19,12
USAUC-005	AF-8-C4-CMF	8"	4"	11.5"	250	1/55	0.9	1500	50	0.35	104	208	9.6	14,11,14
USAUC-006	AF-8-C6-CMF	8"	6"	11.5"	250	1/55	0.9	1500	50	0.35	104	208	10	14,13,14
USAUC-007	AF-8-C8-CMF	8"	8"	11.5"	250	1/55	0.9	1500	50	0.35	104	208	10	14,15,14
USAUC-008	AF-8-C12-CMF	8"	12"	11.5"	250	1/55	0.9	1500	50	0.35	104	208	15	14,19,14
USAUC-009	AF-10-C4-CMF	10"	4"	13.5"	500	1/20	1.8	1500	78	0.54	162	325	12	16,11,16
USAUC-010	AF-10-C6-CMF	10"	6"	13.5"	500	1/20	1.8	1500	78	0.54	162	325	12.6	16,13,16
USAUC-011	AF-10-C8-CMF	10"	8"	13.5"	500	1/20	1.8	1500	78	0.54	162	325	12.6	16,15,16
USAUC-012	AF-10-C12-CMF	10"	12"	13.5"	500	1/20	1.8	1500	78	0.54	162	325	18	16,19,16
USAUC-013	AF-12-C6-CMF	12"	6"	16"	800	1/10	1.3	1500	113	0.78	235	470	14.8	18,13,18
USAUC-014	AF-12-C8-CMF	12"	8"	16"	800	1/10	1.3	1500	113	0.78	235	470	16.4	18,15,18
USAUC-015	AF-12-C12-CMF	12"	12"	16"	800	1/10	1.3	1500	113	0.78	235	470	17	18,19,18
USAUC-016	AF-14-C6-CMF	14"	6"	18"	1000	1/8	1.65	1500	144	1	300	600	30	20,13,20
USAUC-017	AF-14-C8-CMF	14"	8"	18"	1000	1/8	1.65	1500	144	1	300	600	30	20,15,20
USAUC-018	AF-14-C12-CMF	14"	12"	18"	1000	1/8	1.65	1500	144	1	300	600	32	20,19,20
USAUC-019	AF-16-C6-CMF	16"	6"	20"	1800	1/4	5.5	1500	200	1.39	416	833	35	22,15,22
USAUC-020	AF-16-C8-CMF	16"	8"	20"	1800	1/4	5.5	1500	200	1.39	416	833	35	22,17,22
USAUC-021	AF-16-C12-CMF	16"	12"	20"	1800	1/4	5.5	1500	200	1.39	416	833	35	22,21,22
USAUC-022	AF-18-C6-CMF	18"	6"	22"	2200	1/2	5.5	1500	254	1.76	529	1058	40	24,15,24
USAUC-023	AF-18-C8-CMF	18"	8"	22"	2200	1/2	5.5	1500	254	1.76	529	1058	40	24,17,24
USAUC-024	AF-18-C12-CMF	18"	12"	22"	2200	1/2	5.5	1500	254	1.76	529	1058	40	24,21,24
USAUC-025	AF-20-C6-CMF	20"	6"	24"	3300	3/4	10.5	1500	314	2.18	654	1308	45	26,16,26
USAUC-026	AF-20-C8-CMF	20"	8"	24"	3300	3/4	10.5	1500	314	2.18	654	1308	45	26,18,26
USAUC-027	AF-20-C12-CMF	20"	12"	24"	3300	3/4	10.5	1500	314	2.18	654	1308	45	26,22,26
USAUC-028	AF-24-C6-CMF	24"	6"	28"	4800	3/4	10.5	1500	452	3.14	941	1883	50	30,17,30
USAUC-029	AF-24-C8-CMF	24"	8"	28"	4800	3/4	10.5	1500	452	3.14	941	1883	50	30,19,30
USAUC-030	AF-24-C12-CMF	24"	12"	28"	4800	3/4	10.5	1500	452	3.14	941	1883	50	30,23,30
USAUC-031	AF-30-C6-CMF	30"	6"	34"	8000	1	11.8	1500	706	4.90	1470	2941	55	37,19,37
USAUC-032	AF-30-C8-CMF	30"	8"	34"	8000	1	11.8	1500	706	4.90	1470	2941	55	37,21,37
USAUC-033	AF-30-C12-CMF	30"	12"	34"	8000	1	11.8	1500	706	4.90	1470	2941	55	37,25,37



### Dimensions (In.) of Aura Roof Exhaust Fan with Curb Mount Flange, AuraCurb

Series		A	B	C	D	E	F	G	H	I
USAUC-001	AF-6-C4-CMF	9 1/2"	6"	4 3/4"	4"	9 1/4"	6"	4"	1 1/4"	11 1/4"
USAUC-002	AF-6-C6-CMF	9 1/2"	6"	6 3/4"	4"	9 1/4"	6"	6"	1 1/4"	13 1/4"
USAUC-003	AF-6-C8-CMF	9 1/2"	6"	8 3/4"	4"	9 1/4"	6"	8"	1 1/4"	15 1/4"
USAUC-004	AF-6-C12-CMF	9 1/2"	6"	12 3/4"	4"	9 1/4"	6"	12"	1 1/4"	19 1/4"
USAUC-005	AF-8-C4-CMF	11 1/2"	8"	4 3/4"	4"	11 1/4"	6"	4"	1 1/4"	11 1/4"
USAUC-006	AF-8-C6-CMF	11 1/2"	8"	6 3/4"	4"	11 1/4"	6"	6"	1 1/4"	13 1/4"
USAUC-007	AF-8-C8-CMF	11 1/2"	8"	8 3/4"	4"	11 1/4"	6"	8"	1 1/4"	15 1/4"
USAUC-008	AF-8-C12-CMF	11 1/2"	8"	12 3/4"	4"	11 1/4"	6"	12"	1 1/4"	19 1/4"
USAUC-009	AF-10-C4-CMF	13 1/2"	10"	4 3/4"	4"	14 1/4"	6"	4"	1 1/4"	11 1/4"
USAUC-010	AF-10-C6-CMF	13 1/2"	10"	6 3/4"	4"	14 1/4"	6"	6"	1 1/4"	13 1/4"
USAUC-011	AF-10-C8-CMF	13 1/2"	10"	8 3/4"	4"	14 1/4"	6"	8"	1 1/4"	15 1/4"
USAUC-012	AF-10-C12-CMF	13 1/2"	10"	12 3/4"	4"	14 1/4"	6"	12"	1 1/4"	19 1/4"
USAUC-013	AF-12-C6-CMF	16"	12"	6 3/4"	4"	16"	6"	6"	2"	14"
USAUC-014	AF-12-C8-CMF	16"	12"	8 3/4"	4"	16"	6"	8"	2"	16"
USAUC-015	AF-12-C12-CMF	16"	12"	12 3/4"	4"	16"	6"	12"	2"	20"
USAUC-016	AF-14-C6-CMF	18"	14"	6 1/2"	4"	18"	6"	6"	2"	14"
USAUC-017	AF-14-C8-CMF	18"	14"	8 1/2"	4"	18"	6"	8"	2"	16"
USAUC-018	AF-14-C12-CMF	18"	14"	12 1/2"	4"	18"	6"	12"	2"	20"
USAUC-019	AF-16-C6-CMF	20"	16"	6 3/4"	5 1/2"	21"	8"	6"	2"	16"
USAUC-020	AF-16-C8-CMF	20"	16"	8 3/4"	5 1/2"	21"	8"	8"	2"	18"
USAUC-021	AF-16-C12-CMF	20"	16"	12 3/4"	5 1/2"	21"	8"	12"	2"	22"
USAUC-022	AF-18-C6-CMF	22"	18"	6 3/4"	5 1/2"	23"	8"	6"	2"	16"
USAUC-023	AF-18-C8-CMF	22"	18"	8 3/4"	5 1/2"	23"	8"	8"	2"	18"
USAUC-024	AF-18-C12-CMF	22"	18"	12 3/4"	5 1/2"	23"	8"	12"	2"	20"
USAUC-025	AF-20-C6-CMF	24"	20"	7"	6 1/2"	25"	9"	6"	2"	17"
USAUC-026	AF-20-C8-CMF	24"	20"	9"	6 1/2"	25"	9"	8"	2"	19"
USAUC-027	AF-20-C12-CMF	24"	20"	13"	6 1/2"	25"	9"	12"	2"	23"
USAUC-028	AF-24-C6-CMF	28"	24"	6 1/2"	7 1/2"	29"	10"	6"	2"	18"
USAUC-029	AF-24-C8-CMF	28"	24"	8 1/2"	7 1/2"	29"	10"	8"	2"	20"
USAUC-030	AF-24-C12-CMF	28"	24"	12 1/2"	7 1/2"	29"	10"	12"	2"	24"
USAUC-031	AF-30-C6-CMF	34"	30"	7"	9"	36"	12"	6"	2"	20"
USAUC-032	AF-30-C8-CMF	34"	30"	9"	9"	36"	12"	8"	2"	22"
USAUC-033	AF-30-C12-CMF	34"	30"	13"	9"	36"	12"	12"	2"	26"





**VentDepot.com**

Ecological HVAC Supply & Engineering  
1-888-514-1516, (626) 771-0048, F: (626) 771-0047  
sales@ventdepot.com www.VentDepot.com



# AuraCurb

Data Sheet

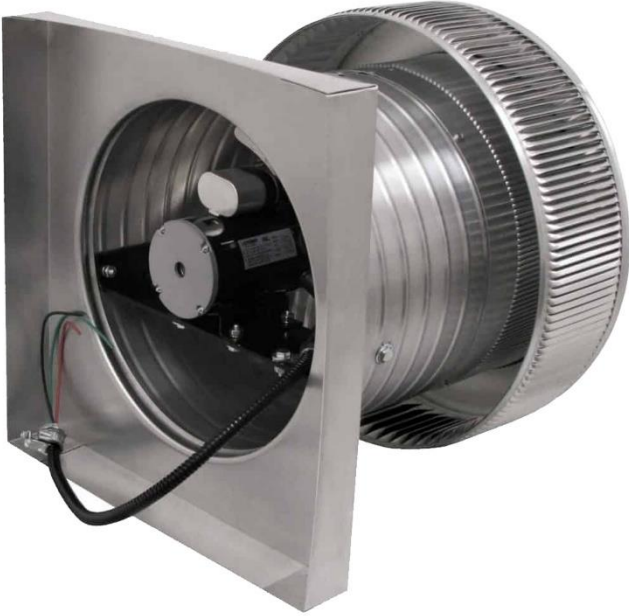
Gallery Image of Aura Roof Exhaust Fan with Curb Mount Flange, AuraCurb.





# AuraCurb

## Data Sheet



ID	Author	Description Error	Description Update	Supervisor Name
V1	Marcela Roldán	Technical Sheet Nueva	Technical Sheet Nueva	J.L.