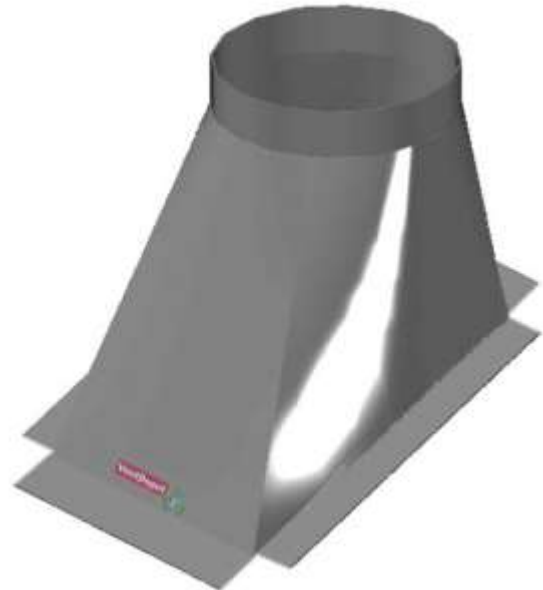


General Characteristics of Slope Roof Mounting Base AlumSlope

The AlumSlope is an aluminum made single slope base made for aluminum turbines.
 Installed properly the slope bases will stop the turbines from leaking water.
 For Industrial, Commercial, and Residential use.
 Perfect for Ventilation, Cooling and the extraction of fumes, dust, smoke, pollen, or gases.
 The AlumSlope bases are made from sheet aluminum, with excellent manufacturing detail.
 The aluminum bases for the turbines, allow them to operate Correctly and more efficiently.
 All turbines and bases must be leveled horizontally for them to work properly and have proper air flow.
 When ordering the AlumSlope the pitch will need to be supplied by customer.
 For Industrial, Commercial, and Residential use.



Product Applications of Slope Roof Mounting Base AlumSlope

These bases are used with our Turbine Vents for ventilation in small, medium, and large areas, bathrooms, warehouses, factories, Commercial buildings, and all large ventilation projects.

Warranties of Slope Roof Mounting Base AlumSlope

Manufacturer's Limited Warranty: 10 Years, void with Tornados, Hurricanes, Chimney Installation, and Chemical Destruction. These products are built to order, they are nonreturnable or nonrefundable.

Specific characteristics of Slope Roof Mounting Base AlumSlope

Item #	Manufacturer's #	Diameter S In.	Pitch P	Material	Base Height H In.	Roof Opening O In.	Flange F In.	Weight and Dimension with Packaging	
								Lbs.	L,W,H In.
USASB-001	SB04AU-1/12	4	1/12	Aluminum	10	6x6	4	7	6,6,13
USASB-002	SB04AU-2/12	4	2/12	Aluminum	10	6x6	4	7	6,6,13
USASB-003	SB04AU-3/12	4	3/12	Aluminum	10	6x6	4	7	6,6,14
USASB-004	SB04AU-4/12	4	4/12	Aluminum	10	6x6	4	7	6,6,14
USASB-005	SB04AU-5/12	4	5/12	Aluminum	10	6x6	4	7	6,6,15
USASB-006	SB04AU-6/12	4	6/12	Aluminum	10	6x6	4	7	6,6,15
USASB-007	SB04AO-7/12	4	7/12	Aluminum	10	6x6	4	7	6,6,16
USASB-008	SB04AO-8/12	4	8/12	Aluminum	10	6x6	4	7	6,6,16
USASB-009	SB04AO-9/12	4	9/12	Aluminum	10	6x6	4	7	6,6,17
USASB-010	SB04AO-10/12	4	10/12	Aluminum	10	6x6	4	7	6,6,17
USASB-011	SB04AO-11/12	4	11/12	Aluminum	10	6x6	4	7	6,6,18
USASB-012	SB04AO-12/12	4	12/12	Aluminum	10	6x6	4	7	6,6,18
USASB-013	SB06AU-1/12	6	1/12	Aluminum	10	8x8	4	9	8,8,13

Item #	Manufacturing #	Diameter S In.	Pitch P	Material	Base Height H In.	Roof Opening O In.	Flange F In.	Weight and Dimension with Packaging	
								Lbs.	L,W,H In.
USASB-014	SB06AU-2/12	6	2/12	Aluminum	10	8x8	4	9	8,8,13
USASB-015	SB06AU-3/12	6	3/12	Aluminum	10	8x8	4	9	8,8,14
USASB-016	SB06AU-4/12	6	4/12	Aluminum	10	8x8	4	9	8,8,15
USASB-017	SB06AU-5/12	6	5/12	Aluminum	10	8x8	4	9	8,8,15
USASB-018	SB06AU-6/12	6	6/12	Aluminum	10	8x8	4	9	8,8,16
USASB-019	SB06AO-7/12	6	7/12	Aluminum	10	8x8	4	9	8,8,17
USASB-020	SB06AO-8/12	6	8/12	Aluminum	10	8x8	4	9	8,8,17
USASB-021	SB06AO-9/12	6	9/12	Aluminum	10	8x8	4	9	8,8,18
USASB-022	SB06AO-10/12	6	10/12	Aluminum	10	8x8	4	9	8,8,19
USASB-023	SB06AO-11/12	6	11/12	Aluminum	10	8x8	4	9	8,8,19
USASB-024	SB06AO-12/12	6	12/12	Aluminum	10	8x8	4	9	8,8,20
USASB-025	SB08AU-1/12	8	1/12	Aluminum	10	10x10	4	10	10,10,13
USASB-026	SB08AU-2/12	8	2/12	Aluminum	10	10x10	4	10	10,10,14
USASB-027	SB08AU-3/12	8	3/12	Aluminum	10	10x10	4	10	10,10,15
USASB-028	SB08AU-4/12	8	4/12	Aluminum	10	10x10	4	10	10,10,15
USASB-029	SB08AU-5/12	8	5/12	Aluminum	10	10x10	4	10	10,10,16
USASB-030	SB08AU-6/12	8	6/12	Aluminum	10	10x10	4	10	10,10,17
USASB-031	SB08AO-7/12	8	7/12	Aluminum	10	10x10	4	10	10,10,18
USASB-032	SB08AO-8/12	8	8/12	Aluminum	10	10x10	4	10	10,10,19
USASB-033	SB08AO-9/12	8	9/12	Aluminum	10	10x10	4	10	10,10,20
USASB-034	SB08AO-10/12	8	10/12	Aluminum	10	10x10	4	10	10,10,20
USASB-035	SB08AO-11/12	8	11/12	Aluminum	10	10x10	4	10	10,10,21
USASB-036	SB08AO-12/12	8	12/12	Aluminum	10	10x10	4	10	10,10,22
USASB-037	SB10AU-1/12	10	1/12	Aluminum	10	12x12	4	13	12,12,13
USASB-038	SB10AU-2/12	10	2/12	Aluminum	10	12x12	4	13	12,12,14
USASB-039	SB10AU-3/12	10	3/12	Aluminum	10	12x12	4	13	12,12,15
USASB-040	SB10AU-4/12	10	4/12	Aluminum	10	12x12	4	13	12,12,16
USASB-041	SB10AU-5/12	10	5/12	Aluminum	10	12x12	4	13	12,12,17
USASB-042	SB10AU-6/12	10	6/12	Aluminum	10	12x12	4	13	12,12,18
USASB-043	SB10AO-7/12	10	7/12	Aluminum	10	12x12	4	13	12,12,19
USASB-044	SB10AO-8/12	10	8/12	Aluminum	10	12x12	4	13	12,12,20
USASB-045	SB10AO-9/12	10	9/12	Aluminum	10	12x12	4	13	12,12,21
USASB-046	SB10AO-10/12	10	10/12	Aluminum	10	12x12	4	13	12,12,22
USASB-047	SB10AO-11/12	10	11/12	Aluminum	10	12x12	4	13	12,12,23
USASB-048	SB10AO-12/12	10	12/12	Aluminum	10	12x12	4	13	12,12,24
USASB-049	SB12AU-1/12	12	1/12	Aluminum	10	14x14	4	15	14,14,13
USASB-050	SB12AU-2/12	12	2/12	Aluminum	10	14x14	4	15	14,14,14
USASB-051	SB12AU-3/12	12	3/12	Aluminum	10	14x14	4	15	14,14,16
USASB-052	SB12AU-4/12	12	4/12	Aluminum	10	14x14	4	15	14,14,17
USASB-053	SB12AU-5/12	12	5/12	Aluminum	10	14x14	4	15	14,14,18
USASB-054	SB12AU-6/12	12	6/12	Aluminum	10	14x14	4	15	14,14,19
USASB-055	SB12AO-7/12	12	7/12	Aluminum	10	14x14	4	15	14,14,20
USASB-056	SB12AO-8/12	12	8/12	Aluminum	10	14x14	4	15	14,14,21
USASB-057	SB12AO-9/12	12	9/12	Aluminum	10	14x14	4	15	14,14,23
USASB-058	SB12AO-10/12	12	10/12	Aluminum	10	14x14	4	15	14,14,24

Item #	Manufacturing #	Diameter S In.	Pitch P	Material	Base Height H In.	Roof Opening O In.	Flange F In.	Weight and Dimension with Packaging	
								Lbs.	L,W,H In.
USASB-059	SB12AO-11/12	12	11/12	Aluminum	10	14x14	4	15	14,14,25
USASB-060	SB12AO-12/12	12	12/12	Aluminum	10	14x14	4	15	14,14,26
USASB-061	SB14AU-1/12	14	1/12	Aluminum	10	16x16	4	23	16,16,13
USASB-062	SB14AU-2/12	14	2/12	Aluminum	10	16x16	4	23	16,16,15
USASB-063	SB14AU-3/12	14	3/12	Aluminum	10	16x16	4	23	16,16,16
USASB-064	SB14AU-4/12	14	4/12	Aluminum	10	16x16	4	23	16,16,17
USASB-065	SB14AU-5/12	14	5/12	Aluminum	10	16x16	4	23	16,16,19
USASB-066	SB14AU-6/12	14	6/12	Aluminum	10	16x16	4	23	16,16,20
USASB-067	SB14AO-7/12	14	7/12	Aluminum	10	16x16	4	23	16,16,21
USASB-068	SB14AO-8/12	14	8/12	Aluminum	10	16x16	4	23	16,16,23
USASB-069	SB14AO-9/12	14	9/12	Aluminum	10	16x16	4	23	16,16,24
USASB-070	SB14AO-10/12	14	10/12	Aluminum	10	16x16	4	23	16,16,25
USASB-071	SB14AO-11/12	14	11/12	Aluminum	10	16x16	4	23	16,16,27
USASB-072	SB14AO-12/12	14	12/12	Aluminum	10	16x16	4	23	16,16,28
USASB-073	SB16AU-1/12	16	1/12	Aluminum	10	18x18	4	33	18,18,14
USASB-074	SB16AU-2/12	16	2/12	Aluminum	10	18x18	4	33	18,18,15
USASB-075	SB16AU-3/12	16	3/12	Aluminum	10	18x18	4	33	18,18,17
USASB-076	SB16AU-4/12	16	4/12	Aluminum	10	18x18	4	33	18,18,18
USASB-077	SB16AU-5/12	16	5/12	Aluminum	10	18x18	4	33	18,18,20
USASB-078	SB16AU-6/12	16	6/12	Aluminum	10	18x18	4	33	18,18,21
USASB-079	SB16AO-7/12	16	7/12	Aluminum	10	18x18	4	33	18,18,23
USASB-080	SB16AO-8/12	16	8/12	Aluminum	10	18x18	4	33	18,18,24
USASB-081	SB16AO-9/12	16	9/12	Aluminum	10	18x18	4	33	18,18,26
USASB-082	SB16AO-10/12	16	10/12	Aluminum	10	18x18	4	33	18,18,27
USASB-083	SB16AO-11/12	16	11/12	Aluminum	10	18x18	4	33	18,18,29
USASB-084	SB16AO-12/12	16	12/12	Aluminum	10	18x18	4	33	18,18,30
USASB-085	SB18AU-1/12	18	1/12	Aluminum	10	22x22	4	40	22,22,14
USASB-086	SB18AU-2/12	18	2/12	Aluminum	10	22x22	4	40	22,22,16
USASB-087	SB18AU-3/12	18	3/12	Aluminum	10	22x22	4	40	22,22,18
USASB-088	SB18AU-4/12	18	4/12	Aluminum	10	22x22	4	40	22,22,19
USASB-089	SB18AU-5/12	18	5/12	Aluminum	10	22x22	4	40	22,22,21
USASB-090	SB18AU-6/12	18	6/12	Aluminum	10	22x22	4	40	22,22,23
USASB-091	SB18AO-7/12	18	7/12	Aluminum	10	22x22	4	40	22,22,25
USASB-092	SB18AO-8/12	18	8/12	Aluminum	10	22x22	4	40	22,22,27
USASB-093	SB18AO-9/12	18	9/12	Aluminum	10	22x22	4	40	22,22,29
USASB-094	SB18AO-10/12	18	10/12	Aluminum	10	22x22	4	40	22,22,30
USASB-095	SB18AO-11/12	18	11/12	Aluminum	10	22x22	4	40	22,22,32
USASB-096	SB18AO-12/12	18	12/12	Aluminum	10	22x22	4	40	22,22,34
USASB-097	SB20AU-1/12	20	1/12	Aluminum	10	24x24	4	48	24,24,14
USASB-098	SB20AU-2/12	20	2/12	Aluminum	10	24x24	4	48	24,24,16
USASB-099	SB20AU-3/12	20	3/12	Aluminum	10	24x24	4	48	24,24,18
USASB-100	SB20AU-4/12	20	4/12	Aluminum	10	24x24	4	48	24,24,20
USASB-101	SB20AU-5/12	20	5/12	Aluminum	10	24x24	4	48	24,24,22
USASB-102	SB20AU-6/12	20	6/12	Aluminum	10	24x24	4	48	24,24,24
USASB-103	SB20AO-7/12	20	7/12	Aluminum	10	24x24	4	48	24,24,26

Item #	Manufacturing #	Diameter S In.	Pitch P	Material	Base Height H In.	Roof Opening O In.	Flange F In.	Weight and Dimension with Packaging	
								Lbs.	L,W,H In.
USASB-104	SB20AO-8/12	20	8/12	Aluminum	10	24x24	4	48	24,24,28
USASB-105	SB20AO-9/12	20	9/12	Aluminum	10	24x24	4	48	24,24,30
USASB-106	SB20AO-10/12	20	10/12	Aluminum	10	24x24	4	48	24,24,32
USASB-107	SB20AO-11/12	20	11/12	Aluminum	10	24x24	4	48	24,24,34
USASB-108	SB20AO-12/12	20	12/12	Aluminum	10	24x24	4	48	24,24,36
USASB-109	SB24AU-1/12	24	1/12	Aluminum	12	30x30	4	60	30,30,15
USASB-110	SB24AU-2/12	24	2/12	Aluminum	12	30x30	4	60	30,30,17
USASB-111	SB24AU-3/12	24	3/12	Aluminum	12	30x30	4	60	30,30,20
USASB-112	SB24AU-4/12	24	4/12	Aluminum	12	30x30	4	60	30,30,22
USASB-113	SB24AU-5/12	24	5/12	Aluminum	12	30x30	4	60	30,30,25
USASB-114	SB24AU-6/12	24	6/12	Aluminum	12	30x30	4	60	30,30,27
USASB-115	SB24AO-7/12	24	7/12	Aluminum	12	30x30	4	60	30,30,30
USASB-116	SB24AO-8/12	24	8/12	Aluminum	12	30x30	4	60	30,30,32
USASB-117	SB24AO-9/12	24	9/12	Aluminum	12	30x30	4	60	30,30,35
USASB-118	SB24AO-10/12	24	10/12	Aluminum	12	30x30	4	60	30,30,37
USASB-119	SB24AO-11/12	24	11/12	Aluminum	12	30x30	4	60	30,30,40
USASB-120	SB24AO-12/12	24	12/12	Aluminum	12	30x30	4	60	30,30,42

Diagram for Curb Roof Mounting Base AlumSlope Dimensions

