

### General Characteristics of ACH Series Circulator Heads and Mounts.

The ACH Series Steel construction with silver/gray powder coated; steel motor housing painted black .  
 Aluminum 3-paddle blade system with steel hub and cast aluminum spider connections.  
 All models contain a pull-chain switch and 12' long SJT-Type cord with grounded plug  
 Fully-Assembled ready for plug-&-play operation offered in Non-Oscillating (Stationary) and Oscillating fan heads in 20", 24" or 30" diameter sizes; mounts sold separately.  
 Oscillating models rotates in a 90° arc or can be locked in a fixed position.  
 Metal gears in the oscillating model allow the fan to operate at a maximum 30° downward tilt.  
 Motor warranty ranges from 1, 3 and 5-years.  
 Made in the U.S.A. with domestic and foreign components.

### Product Applications of ACH Series Circulator Heads and Mounts

For industrial and commercial use.  
 Good for indoor and outdoor use, in the case of outdoor use, protection may be need from the elements.  
 It is used to cool factories, shops, bakeries, loading docks, laundries, gymnasiums, warehouses, aircraft hangars, and virtually any place a high volume of air movement is required.

### Warranty of ACH Series Circulator Heads and Mounts

Manufacturer's Limited Warranty: 5 Years.



### Specific Characteristics of ACH Series Circulator Heads and Mounts

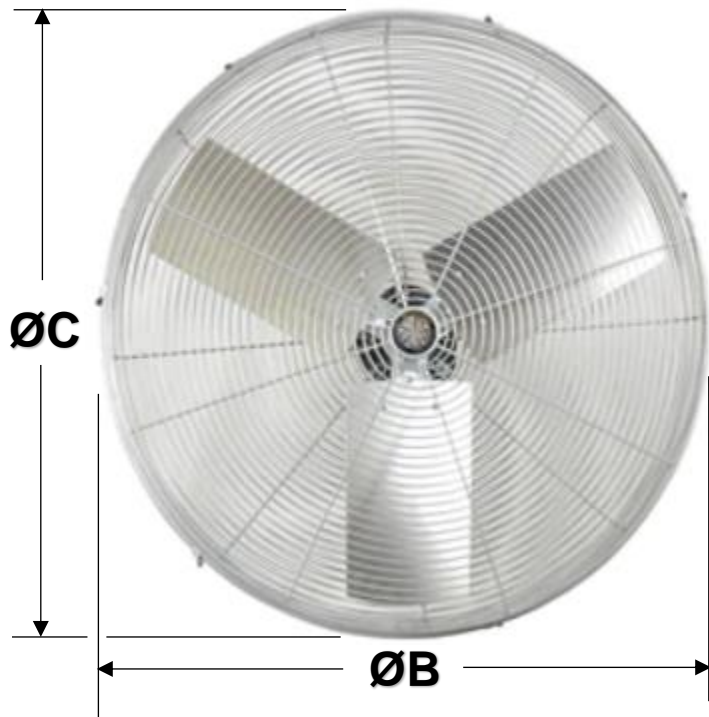
Item #	Size Ø(In.)	CFM		Volts V	Amperes A	Phases Ph	RPM		Speed	Color	Mounting Type	Weight and Dimensions with Packaging	
		High	Low				High	Low				Lbs	L,W,H In.
USSER-001	20	3000	2600	120	2.4	1	1100	900	2	Gray	No Mount	39	14,22,22
USSER-002	20	3000	2600	120	2.4	1	1100	900	2	Gray	Ceiling	39	14,22,22
USSER-003	20	3000	2600	120	2.4	1	1100	900	2	Gray	I-Beam	39	14,22,22
USSER-004	20	3000	2600	120	2.4	1	1100	900	2	Gray	Wall	39	14,22,22
USSER-005	20	3000	2600	120	2.4	1	1100	900	2	Gray	Pedestal	39	14,22,22
USSER-006	20	3000	2600	120	2.4	1	1100	900	2	Gray	Suspension	39	14,22,22
USSER-007	24	3800	3400	120	2.5	1	1100	800	2	Gray	No Mount	40	16,29,29
USSER-008	24	3800	3400	120	2.5	1	1100	800	2	Gray	Ceiling	40	16,29,29
USSER-009	24	3800	3400	120	2.5	1	1100	800	2	Gray	I-Beam	40	16,29,29
USSER-010	24	3800	3400	120	2.5	1	1100	800	2	Gray	Wall	40	16,29,29
USSER-011	24	3800	3400	120	2.5	1	1100	800	2	Gray	Pedestal	40	16,29,29
USSER-012	24	3800	3400	120	2.5	1	1100	800	2	Gray	Suspension	40	16,29,29

### Specific Characteristics of ACH Series Circulator Heads and Mounts

Item #	Size Ø(In.)	CFM		Volts V	Amperes A	Phases Ph	RPM		Speed	Color	Mounting Type	Weight and Dimensions with Packaging	
		High	Low				High	Low				Lbs	L,W,H In.
<b>USSER-013</b>	30	4300	3800	120	2.7	1	1100	800	2	Gray	No Mount	44	33,32,15
<b>USSER-014</b>	30	4300	3800	120	2.7	1	1100	800	2	Gray	Ceiling	44	33,32,15
<b>USSER-015</b>	30	4300	3800	120	2.7	1	1100	800	2	Gray	I-Beam	44	33,32,15
<b>USSER-016</b>	30	4300	3800	120	2.7	1	1100	800	2	Gray	Wall	44	33,32,15
<b>USSER-017</b>	30	4300	3800	120	2.7	1	1100	800	2	Gray	Pedestal	44	33,32,15
<b>USSER-018</b>	30	4300	3800	120	2.7	1	1100	800	2	Gray	Suspension	44	33,32,15

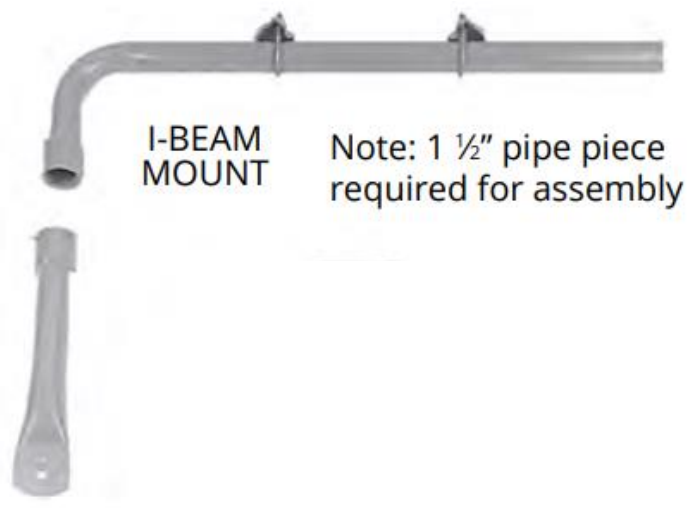
### Dimensions (In.) of ACH Series Circulator Heads and Mounts

Series	Length ØA	Width ØB	Height C
USSER-001 to USSER-006	14.5	22	22
USSER-007 to USSER-012	15.5	27	27
USSER-013 to USSER-018	15.2	32	32





**Mounting Options of ACH Series Circulator Heads and Mounts**



I-BEAM  
MOUNT

Note: 1 1/2" pipe piece  
required for assembly



CEILING  
MOUNT

Note: 1 1/2" pipe piece  
required for assembly



WALL  
MOUNT

SUSPENSION  
MOUNT



PEDESTAL

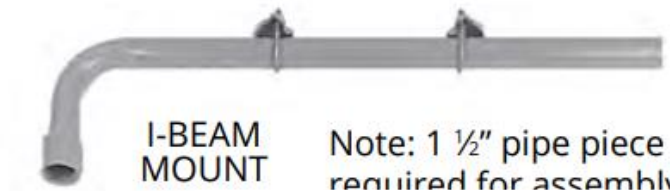


Gallery of ACH Series Circulator Heads and Mounts





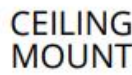
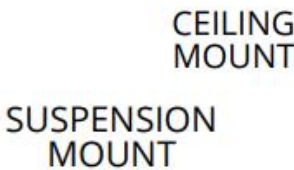
Gallery of ACH Series Circulator Heads and Mounts



Note: 1 1/2" pipe piece required for assembly



Note: 1 1/2" pipe piece required for assembly



ID	Author	Description Error	Description Update	Supervisor Name
V1	Jessica Lorenzo	Technical Sheet Nueva	Technical Sheet Nueva	J.D.