

**General Characteristics 5500 Series Washdown Fan Forced Unit Heater with bracket W5520/WMK, and Thermostat**

Heavy-duty 304 16 gauge stainless steel shroud.  
 316 stainless construction available.  
 Nema 4x non-metallic control panel.  
 24-Volt control.  
 3-position switch (off-heat-fan).  
 Capillary thermostat with stainless steel sensor.  
 Automatic reset thermal cutout.  
 Totally enclosed U.L. listed motor.  
 Pilot light (power on indicator).  
 Stainless steel finned tubular element. Constructed of 304 or 316 stainless rod and fins.  
 Control panel on bottom of unit for ease of installation and service  
 Disconnect switch with enclosure door interlock.  
 Front grill rotates to direct airflow.  
 Single-point power connection.  
 Fan Blade Aluminum.  
 Epoxy painted cold roll steel model available, consult factory.  
 Meets all U.L., NEC, and OSHA requirements (when installed as directed).  
 Corrosion-resistant in high humidity and water-saturated areas (for areas where corrosion resistance is needed in non-explosive areas, contact factory for heater applications and optional materials).  
 Includes Mounting Bracket Kits and Thermostat temp range: 40°-110°F.  
 Made in U.S.A.

**Product Applications 5500 Series Washdown Fan Forced Unit Heater with bracket W5520/WMK, and Thermostat**

Recommended for all industrial and commercial.  
 Used in dirty or dusty industrial areas in non-hazardous locations.  
 Also used in areas that may be high in humidity or water saturated.  
 For indoor and outdoor use.

**Warranties 5500 Series Washdown Fan Forced Unit Heater with bracket W5520/WMK, and Thermostat**

Manufacturer's Limited Warranty: 1 Year.

The Washdown Series unit heaters are electric unit heaters constructed for use in areas that require washing or hosing of equipment due to dirty or dusty industrial environments in non-hazardous locations. The totally enclosed water-tight construction made with corrosion-resistant material make this series ideal for industrial heating applications. The Washdown Series is constructed with all built-in controls and safety temperature controls wired in a non-metallic Nema 4x control panel with single-point power connections.



**5500 Series Washdown Fan  
 Forced Unit Heater with bracket  
 W5520/WMK, and Thermostat**

**Data Sheet**

**Specific Characteristics 5500 Series Washdown Fan Forced Unit Heater with bracket W5520/WMK, and Thermostat**

Item #	Watts	BTU's	Volts	PH	Amps	Temp Rise (°F)	Air throw	CFM	Included Components		Weight and Dimensions With Packaging (CM)	
									Thermostat	Bracket	Lbs	W,H,D
									MFG Model number	MFG Model number		
USWHS-001	3.3	11200	208	1	15.9	26	20'	400	TW155A	W5520/WMK	58	14,22,19
USWHS-002	3.3	11200	208	3	9.2	26	20'	400	TW155A	W5520/WMK	58	14,22,19
USWHS-003	3.3	11200	240	1	13.7	26	20'	400	TW155A	W5520/WMK	58	14,22,19
USWHS-004	3.3	11200	240	3	7.9	26	20'	400	TW155A	W5520/WMK	58	14,22,19
USWHS-005	3.3	11200	277	1	11.9	26	20'	400	TW155A	W5520/WMK	58	14,22,19
USWHS-006	3.3	11200	480	3	4	26	20'	400	TW155A	W5520/WMK	58	14,22,19
USWHS-008	5	17100	208	3	13.9	40	20'	400	TW155A	W5520/WMK	58	14,22,19
USWHS-009	5	17100	240	1	20.8	40	20'	400	TW155A	W5520/WMK	58	14,22,19
USWHS-010	5	17100	240	3	12.1	40	20'	400	TW155A	W5520/WMK	58	14,22,19
USWHS-011	5	17100	277	1	18.1	40	20'	400	TW155A	W5520/WMK	58	14,22,19
USWHS-012	5	17100	480	3	6.1	40	20'	400	TW155A	W5520/WMK	58	14,22,19
USWHS-014	7.5	25600	208	3	20.8	60	20'	400	TW155A	W5520/WMK	58	14,22,19
USWHS-016	7.5	25600	240	3	13.1	60	20'	400	TW155A	W5520/WMK	58	14,22,19
USWHS-018	7.5	25600	480	3	9.1	60	20'	400	TW155A	W5520/WMK	58	14,22,19
USWHS-022	10	34130	240	3	21.1	45	28'	700	TW155A	W5520/WMK	64	16,24,21
USWHS-024	10	34130	480	3	12.1	45	28'	700	TW155A	W5520/WMK	64	16,24,21
USWHS-029	15	51200	480	3	18.1	68	28'	700	TW155A	W5520/WMK	64	16,24,21
USWHS-001	3.3	11200	208	1	15.9	26	20'	400	TW255A	W5520/WMK	58	14,22,19
USWHS-002	3.3	11200	208	3	9.2	26	20'	400	TW255A	W5520/WMK	58	14,22,19
USWHS-003	3.3	11200	240	1	13.7	26	20'	400	TW255A	W5520/WMK	58	14,22,19
USWHS-004	3.3	11200	240	3	7.9	26	20'	400	TW255A	W5520/WMK	58	14,22,19
USWHS-005	3.3	11200	277	1	11.9	26	20'	400	TW255A	W5520/WMK	58	14,22,19
USWHS-006	3.3	11200	480	3	4	26	20'	400	TW255A	W5520/WMK	58	14,22,19
USWHS-008	5	17100	208	3	13.9	40	20'	400	TW255A	W5520/WMK	58	14,22,19
USWHS-009	5	17100	240	1	20.8	40	20'	400	TW255A	W5520/WMK	58	14,22,19
USWHS-010	5	17100	240	3	12.1	40	20'	400	TW255A	W5520/WMK	58	14,22,19
USWHS-011	5	17100	277	1	18.1	40	20'	400	TW255A	W5520/WMK	58	14,22,19
USWHS-012	5	17100	480	3	6.1	40	20'	400	TW255A	W5520/WMK	58	14,22,19
USWHS-014	7.5	25600	208	3	20.8	60	20'	400	TW255A	W5520/WMK	58	14,22,19
USWHS-016	7.5	25600	240	3	13.1	60	20'	400	TW255A	W5520/WMK	58	14,22,19
USWHS-018	7.5	25600	480	3	9.1	60	20'	400	TW255A	W5520/WMK	58	14,22,19
USWHS-022	10	34130	240	3	21.1	45	28'	700	TW255A	W5520/WMK	64	16,24,21
USWHS-024	10	34130	480	3	12.1	45	28'	700	TW255A	W5520/WMK	64	16,24,21
USWHS-029	15	51200	480	3	18.1	68	28'	700	TW255A	W5520/WMK	64	16,24,21

Accessories	MFG Model number	Description
Bracket	W5520/WMK	Suitable for mounting TPI's 5500 Series 3.3-15 KW Washdown Fan Forced Unit Heaters.



**5500 Series Washdown Fan  
Forced Unit Heater with bracket  
W5520/WMK, and Thermostat**

Ecological HVAC Supply & Engineering  
1-888-514-1516, (626) 771-0048, F: (626) 771-0047  
sales@ventdepot.com www.VentDepot.com

Thermostat

TW155A

TPI Corporation  
America's Comfort Conditioning Company

1 POLE, 40-110°F, 22Amp

Data Sheet

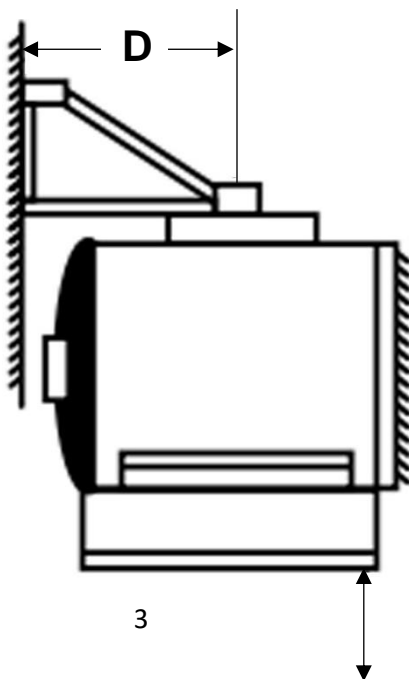
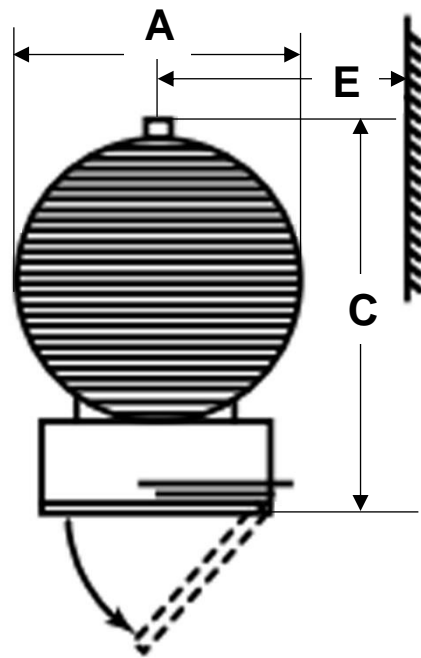
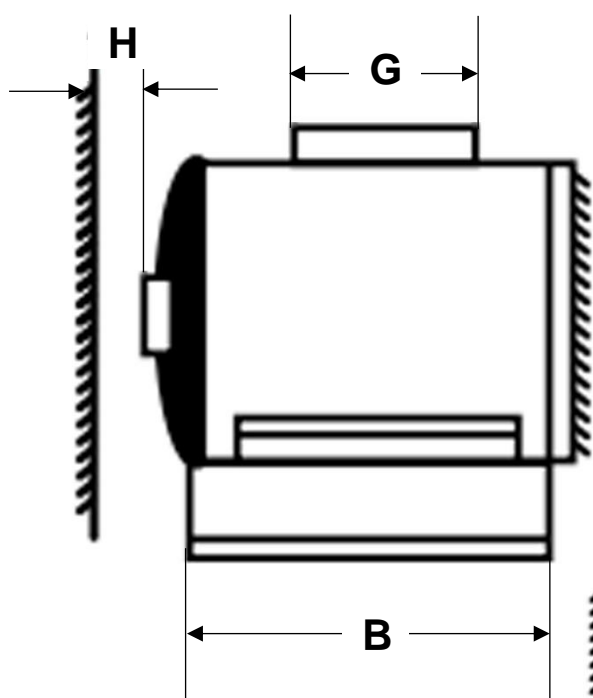
Thermostat

TW255A

2 POLE, 40-110 °F, 22Amp

**Dimensions (in) 5500 Series Washdown Fan Forced Unit Heater with bracket W5520/WMK, and Thermostat**

Item #	A	B	C	D	E	F	G	H
USWHS-001 a USWHS-017	12	18	19.75	15.25	16.25	6ft	8	6



**VentDepot** .com

Ecological HVAC Supply & Engineering  
1-888-514-1516, (626) 771-0048, F: (626) 771-0047  
sales@ventdepot.com www.VentDepot.com



TPI Corporation  
America's Comfort Conditioning Company

**5500 Series Washdown Fan  
Forced Unit Heater with bracket  
W5520/WMK, and Thermostat**

**F**

**Data Sheet**

Hall of 5500 Series Washdown Fan Forced Unit Heater with bracket W5520/WMK, and Thermostat



**5500 Series Washdown Fan  
 Forced Unit Heater with bracket  
 W5520/WMK, and Thermostat**



Description Error	Description Update	Supervisor Name
New Data Sheet	New Data Sheet	Jessica Lorenzo