



General Characteristics of 3480 Series & Louver Recessed Mounted Ceiling Heater

The 3480 Series comes with a white powder coated 20 gauge grill. All units have manual reset thermal limit, 24V control transformer, and 24V relay (A1 suffix). Air rise is measured at 1000 F.P.M and 600 CFM. The throw is designed for 8 to 12 foot ceilings. Is Fixed with a louver. The motor is fully enclosed and are permanently lubricated. The decibels dB re 10-12 and wattage 63.9 It has an enclosed steel fin sheath, helically coiled element that is corrosion resistant. Is perfect for residential, industrial or commercial use. This item is ETL-CETL Listed. Has an option of a recess frame. Optional controls must be factory installed. Field installation is not acceptable and violates listing and factory warranty. Made in the U.S.A.



Product Applications of 3480 Series & Louver Recessed Mounted Ceiling Heater

For Residential, Industrial and Commercial use. Great for houses, restaurants, offices, warehouses, kitchens ect.

Warranty of 3480 Series Recessed Mounted Ceiling Heater

Manufacturer's Warranty: 1 year.

Specific Characteristics of 3480 Series & Louver Recessed Mounted Ceiling Heater

Item #	Manufacturing #	Kw	BTU's	Volts V	Phase PH	Amps	Temp. Rise (°F)	Frame Options	Weight and Dimension with Packaging	
									Lbs.	L,W,H In.
USWMW-001	F3482A1L	2	6826	208	1	9.6	15	-	55	25,25,11
USWMW-002	F3482A1L & PT3480	2	6826	208	1	9.6	15	Frame	60	25,25,11
USWMW-003	H3482A1L	2	6826	240	1	8.3	15	-	55	25,25,11
USWMW-004	H3482A1L & PT3480	2	6826	240	1	8.3	15	Frame	60	25,25,11
USWMW-005	G3482A1L	2	6826	277	1	7.2	15	-	55	25,25,11
USWMW-006	G3482A1L & PT3480	2	6826	277	1	7.2	15	Frame	60	25,25,11
USWMW-007	P3482A1L	2	6826	480	1	4.2	15	-	55	25,25,11
USWMW-008	P3482A1L & PT3480	2	6826	480	1	4.2	15	Frame	60	25,25,11
USWMW-009	J3482A1L	2	6826	208	3	5.6	15	-	55	25,25,11
USWMW-010	J3482A1L & PT3480	2	6826	208	3	5.6	15	Frame	60	25,25,11
USWMW-011	K3482A1L	2	6826	240	3	4.8	15	-	55	25,25,11
USWMW-012	K3482A1L & PT3480	2	6826	240	3	4.8	15	Frame	60	25,25,11
USWMW-013	Y3482A1L	2	6826	480	3	2.4	15	-	55	25,25,11
USWMW-014	Y3482A1L & PT3480	2	6826	480	3	2.4	15	Frame	60	25,25,11
USWMW-015	F3483A1L	3	10200	208	1	14.4	22	-	55	25,25,11
USWMW-016	F3483A1L & PT3480	3	10200	208	1	14.4	22	Frame	60	25,25,11
USWMW-017	H3483A1L	3	10200	240	1	12.5	22	-	52	25,25,11



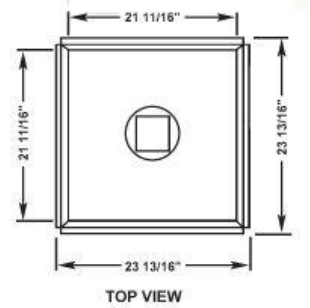
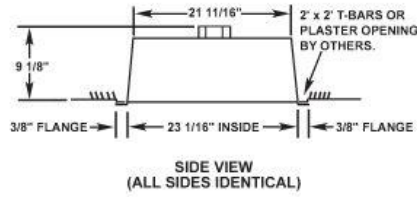
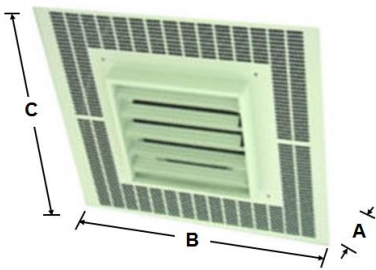
**3480 Series & Louver
 Commercial Fan Forced Recessed
 Mounted Ceiling Heater**
 Data Sheet

Item #	Manufacturing #	Kw	BTU's	Volts V	Phase PH	Amps	Temp. Rise (°F)	Frame Options	Weight and Dimension with Packaging	
									Lbs.	L,W,H In.
USWMW-018	H3483A1L & PT3480	3	10200	240	1	12.5	22	Frame	55	25,25,11
USWMW-019	G3483A1L	3	10200	277	1	10.8	22	-	60	25,25,11
USWMW-020	G3482A1L & PT3480	3	10200	277	1	10.8	22	Frame	55	25,25,11
USWMW-021	P3483A1L	3	10200	480	1	6.3	22	-	60	25,25,11
USWMW-022	P3483A1L & PT3480	3	10200	480	1	6.3	22	Frame	55	25,25,11
USWMW-023	J3483A1L	3	10200	208	3	8.3	22	-	60	25,25,11
USWMW-024	J3483A1L & PT3480	3	10200	208	3	8.3	22	Frame	55	25,25,11
USWMW-025	K3483A1L	3	10200	240	3	7.2	22	-	60	25,25,11
USWMW-026	K3483A1L & PT3480	3	10200	240	3	7.2	22	Frame	55	25,25,11
USWMW-027	Y3483A1L	3	10200	480	3	3.6	22	-	60	25,25,11
USWMW-028	Y3483A1L & PT3480	3	10200	480	3	3.6	22	Frame	55	25,25,11
USWMW-029	F3484A1L	4	13600	208	1	19.2	30	-	60	25,25,11
USWMW-030	F3484A1L & PT3480	4	13600	208	1	19.2	30	Frame	55	25,25,11
USWMW-031	H3484A1L	4	13600	240	1	16.8	30	-	60	25,25,11
USWMW-032	H3484A1L & PT3480	4	13600	240	1	16.8	30	Frame	55	25,25,11
USWMW-033	G3484A1L	4	13600	277	1	14.4	30	-	60	25,25,11
USWMW-034	G3484A1L & PT3480	4	13600	277	1	14.4	30	Frame	55	25,25,11
USWMW-035	P3484A1L	4	13600	480	1	8.3	30	-	60	25,25,11
USWMW-036	P3484A1L & PT3480	4	13600	480	1	8.3	30	Frame	55	25,25,11
USWMW-037	J3484A1L	4	13600	208	3	11.1	30	-	60	25,25,11
USWMW-038	J3484A1L & PT3480	4	13600	208	3	11.1	30	Frame	55	25,25,11
USWMW-039	K3484A1L	4	13600	240	3	9.7	30	-	60	25,25,11
USWMW-040	K3484A1L & PT3480	4	13600	240	3	9.7	30	Frame	55	25,25,11
USWMW-041	Y3484A1L	4	13600	480	3	4.8	30	-	60	25,25,11
USWMW-042	Y3484A1L & PT3480	4	13600	480	3	4.8	30	Frame	55	25,25,11
USWMW-043	F3485A1L	5	17000	208	1	24.1	37	-	60	25,25,11
USWMW-044	F3485A1L & PT3480	5	17000	208	1	24.1	37	Frame	55	25,25,11
USWMW-045	H3485A1L	5	17000	240	1	20.8	37	-	60	25,25,11
USWMW-046	H3485A1L & PT3480	5	17000	240	1	20.8	37	Frame	55	25,25,11
USWMW-047	G3485A1L	5	17000	277	1	18.1	37	-	60	25,25,11
USWMW-048	G3485A1L & PT3480	5	17000	277	1	18.1	37	Frame	55	25,25,11
USWMW-049	P3485A1L	5	17000	480	1	10.4	37	-	60	25,25,11
USWMW-050	P3485A1L & PT3480	5	17000	480	1	10.4	37	Frame	55	25,25,11
USWMW-051	J3485A1L	5	17000	208	3	13.9	37	-	60	25,25,11
USWMW-052	J3485A1L & PT3480	5	17000	208	3	13.9	37	Frame	55	25,25,11
USWMW-053	K3485A1L	5	17000	240	3	12.1	37	-	60	25,25,11
USWMW-054	K3485A1L & PT3480	5	17000	240	3	12.1	37	Frame	55	25,25,11
USWMW-055	Y3485A1L	5	17000	480	3	6.1	37	-	60	25,25,11
USWMW-056	Y3485A1L & PT3480	5	17000	480	3	6.1	37	Frame	55	25,25,11



Dimensions of 3480 Series & Louver Recessed Mounted Ceiling Heater

Series	Length A	Width B	Height C
All USRDW Series	23 1/16"	23 1/16"	9 1/8"



Short Description of 3480 Series & Louver Recessed Mounted Ceiling Heater

VentDepot Item #	Manufacturing #	Short Description 70 Characters Maximum
		1234567890123456789012345678901234567890123456789012345678901234567890

USWMW-001 F3482A1L 2Kw, 6826 BTU, 208V, 1Ph, 9.6A, Temp Rise 15°F, No Frame.

SEO Table of 3480 Series & Louver Recessed Mounted Ceiling Heater

Title
Commercial Fan Forced Recessed Mounted Ceiling Heater 3480 Series & Louver.
Meta Description
Commercial Fan Forced Recessed Mounted Ceiling Heater 3480 Series & Louver for Residential Use, Commercial Fan Forced Recessed Mounted Ceiling Heater 3480 Series & Louver for Commercial Use, Commercial Fan Forced Recessed Mounted Ceiling Heater 3480 Series & Louver for Industrial Use, Commercial Fan Forced Recessed Mounted Ceiling Heater 3480 Series & Louver for indoor Use, Commercial Fan Forced Recessed Mounted Ceiling Heater 3480 Series & Louver for Heating Use.
Meta Key Words
Commercial Fan Forced Recessed Mounted Ceiling Heater 3480 Series & Louver for Residential Use, Commercial Fan Forced Recessed Mounted Ceiling Heater 3480 Series & Louver for Commercial Use, Commercial Fan Forced Recessed Mounted Ceiling Heater 3480 Series & Louver for Industrial Use, Commercial Fan Forced Recessed Mounted Ceiling Heater 3480 Series & Louver for indoor Use, Commercial Fan Forced Recessed Mounted Ceiling Heater 3480 Series & Louver for Heating Use.
Meta URL (file name)
Commercial-fan-forced-recessed-mounted-ceiling-heater-3480-series-and-louver-us-english.htm

Product Line Description of 3480 Series & Louver Recessed Mounted Ceiling Heater

```
<FONT Size=1>
<b>Product Description:</b> Commercial Fan Forced Recessed Mounted Ceiling Heater<br>
<b>Weather Rating:</b> Indoor<br>
<b>Kilowatts:</b> 2 to 5 Kw<br>
<b>BTU's:</b> 6826 to 17000BTUs<br>
<b>Voltage:</b> 208,240,277 or 480V<br>
<b>Phases:</b> 1 to 3<br>
<b>Amperes:</b> 9.6 to 24.1A<br>
<b>Temp. Rise (°F):</b> 15,22,30 or 37°F<br>
<b>Frame Options:</b> With or Without Frame<br>
<b>Product Type:</b> Industrial/Electrical Heaters<br>
<b>Usual Delivery Time or Lead Time:</b> 1 to 2 weeks<br>
</FONT>
```