



General Characteristics of 3380 Series Commercial Fan Forced Ceiling Heater

Fan purge circuit (requires 2 wire supply when remote wall thermostat is used with the unit.)
 Is ETL-CETL listed.
 There are three types of mounting recess, surface or T-Bar Mounting.
 Disconnect switch.
 White powder coated 18 gauge steel grill.
 Manual reset thermal limit.
 Available in ratings from 1500 through to 4800 Watts, and an optional factory installed thermostat.
 Steel block fin element, with large parallel fins for quick heat transfer.
 Vane axial fan blade: 1.5kw - 4.0kw units: 700 RPM motor; 175 CFM, 4.8kw units: 900 RPM motor; 200 CFM.
 Rough in dimensions: 14 3/16" wide x 19 5/16" high x 4" deep.
 Grill dimensions - 15 3/8" wide x 20 9/64" high.
 With optional factory installed tamper resistant thermostat. Must specify when placing an order if you want this option.
 Made in the U.S.A.



Product Applications of 3380 Series Commercial Fan Forced Ceiling Heater

For Residential, Industrial and Commercial use.
 For use in homes, offices, warehouses, restaurants and hotels ect.



Warranty of 3380 Series Commercial Fan Forced Ceiling Heater

Manufacturer's Warranty: 1 year.

Specific Characteristics of 3380 Series Commercial Fan Forced Ceiling Heater

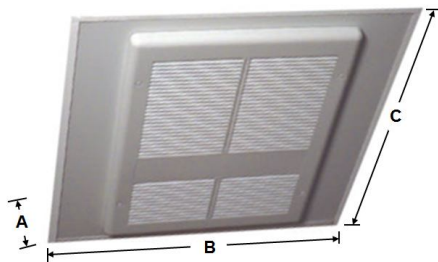
Item #	Manufacturing #	Kilowatts Kw	BTU's	Volts V	Phases PH	Amperes A	Temp Rise (°F)	Mounting Options	Weight and Dimensions with Packaging	
									Lbs.	L,W,H In.
USFTW-001	E3383D-RP	1.5	5120	120	1	12.5	27	-	24	16,6,21
USFTW-002	E3383D-RP & 3380EX33	1.5	5120	120	1	12.5	27	Surface	25	16,6,21
USFTW-003	E3383D-RP & TB3380	1.5	5120	120	1	12.5	27	T-Bar	30	16,6,21
USFTW-004	F3386D-RP	4.0	13600	208	1	19.2	72	-	24	16,6,21
USFTW-005	F3386D-RP & 3380EX33	4.0	13600	208	1	19.2	72	Surface	25	16,6,21
USFTW-006	F3386D-RP & TB3380	4.0	13600	208	1	19.2	72	T-Bar	30	16,6,21
USFTW-007	F3387D-RP	4.8	16382	208	1	23.1	76	-	24	16,6,21
USFTW-008	F3387D-RP & 3380EX33	4.8	16382	208	1	23.1	76	Surface	25	16,6,21
USFTW-009	F3387D-RP & TB3380	4.8	16382	208	1	23.1	76	T-Bar	30	16,6,21
USFTW-010	HF3384D-RP	2.0/1.5	6826/5120	240/208	1	8.3/7.2	36	-	24	16,6,21
USFTW-011	HF3384D-RP & 3380EX33	2.0/1.5	6826/5120	240/208	1	8.3/7.2	36	Surface	25	16,6,21
USFTW-012	HF3384D-RP & TB3380	2.0/1.5	6826/5120	240/208	1	8.3/7.2	36	T-Bar	30	16,6,21
USFTW-013	HF3385D-RP	3.0/2.3	10200/7679	240/208	1	12.5/10.8	54	-	24	16,6,21
USFTW-014	HF3385D-RP & 3380EX33	3.0/2.3	10200/7679	240/208	1	12.5/10.8	54	Surface	25	16,6,21
USFTW-015	HF3385D-RP & TB3380	3.0/2.3	10200/7679	240/208	1	12.5/10.8	54	T-Bar	30	16,6,21



Item #	Manufacturing #	Kilowatts Kw	BTU's	Volts V	Phases PH	Amperes A	Temp Rise (°F)	Mounting Options	Weight and Dimensions with Packaging	
									Lbs	L,W,H In.
USFTW-016	HF3386D-RP	4.0/3.0	13600/10200	240/208	1	16.8/14.4	72	-	24	16,6,21
USFTW-017	HF3386D-RP & 3380EX33	4.0/3.0	13600/10200	240/208	1	16.8/14.4	72	Surface	25	16,6,21
USFTW-018	HF3386D-RP & TB3380	4.0/3.0	13600/10200	240/208	1	16.8/14.4	72	T-Bar	30	16,6,21
USFTW-019	H3387D-RP	4.8	16382	240	1	20	76	-	24	16,6,21
USFTW-020	H3387D-RP & 3380EX33	4.8	16382	240	1	20	76	Surface	25	16,6,21
USFTW-021	H3387D-RP & TB3380	4.8	16382	240	1	20	76	T-Bar	30	16,6,21
USFTW-022	G3383D-RP	1.5	5120	277	1	5.4	27	-	24	16,6,21
USFTW-023	G3383D-RP & 3380EX33	1.5	5120	277	1	5.4	27	Surface	25	16,6,21
USFTW-024	G3383D-RP & TB3380	1.5	5120	277	1	5.4	27	T-Bar	30	16,6,21
USFTW-025	G3384D-RP	2.0	6826	277	1	7.2	36	-	24	16,6,21
USFTW-026	G3384D-RP & 3380EX33	2.0	6826	277	1	7.2	36	Surface	25	16,6,21
USFTW-027	G3384D-RP & TB3380	2.0	6826	277	1	7.2	36	T-Bar	30	16,6,21
USFTW-028	G3385D-RP	3.0	10200	277	1	10.8	54	-	24	16,6,21
USFTW-029	G3385D-RP & 3380EX33	3.0	10200	277	1	10.8	54	Surface	25	16,6,21
USFTW-030	G3385D-RP & TB3380	3.0	10200	277	1	10.8	54	T-Bar	30	16,6,21
USFTW-031	G3386D-RP	4.0	13600	277	1	14.4	72	-	24	16,6,21
USFTW-032	G3386D-RP & 3380EX33	4.0	13600	277	1	14.4	72	Surface	25	16,6,21
USFTW-033	G3386D-RP & TB3380	4.0	13600	277	1	14.4	72	T-Bar	30	16,6,21
USFTW-034	G3387D-RP	4.8	16382	277	1	17.3	76	-	24	16,6,21
USFTW-035	G3387D-RP & 3380EX33	4.8	16382	277	1	17.3	76	Surface	25	16,6,21
USFTW-036	G3387D-RP & TB3380	4.8	16382	277	1	17.3	76	T-Bar	30	16,6,21

Specific Characteristics of 3380 Series Commercial Fan Forced Ceiling Heater

Series	Length A	Width B	Height C
All USFTW Series	14 3/16"	4"	19 5/16"



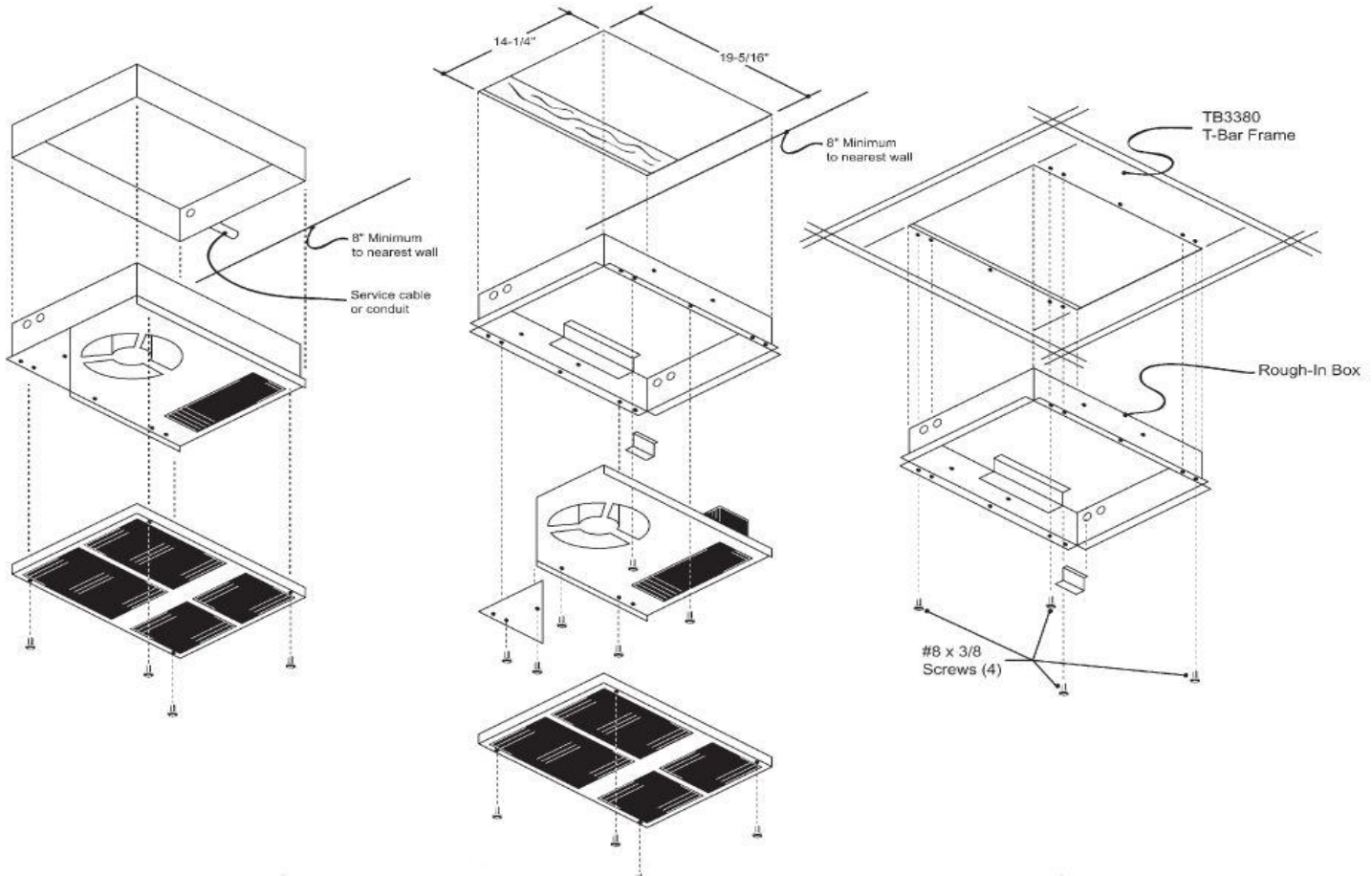


Mounting Options of 3380 Series Commercial Fan Forced Ceiling Heater

Figure 1, Flush Mounted

Figure 2, Surface Mounted

Figure 3, 2x2 T-Bar Installation



Short Description of 3380 Series Commercial Fan Forced Ceiling Heater

Item #	Manufacturing #	Short Description 70 Characters Minimum
	USFTW-001	E3383D-RP

SEO Table of 3380 Series Commercial Fan Forced Ceiling Heater

Title
TPI Commercial Fan Forced Ceiling Heater 3380 Series.
Meta Description
TPI Commercial Fan Forced Ceiling Heater 3380 Series for Industrial Use, TPI Commercial Fan Forced Ceiling Heater 3380 Series for Commercial Use, TPI Commercial Fan Forced Ceiling Heater 3380 Series for Indoor Use, Commercial Fan Forced Ceiling Heater 3380 Series for Cooling Use, Commercial Fan Forced Ceiling Heater 3380 Series for Ventilation Use, TPI Commercial Fan Forced Ceiling Heater 3380 Series for Extraction Use.
Meta Key Words
TPI Commercial Fan Forced Ceiling Heater 3380 Series for Industrial Use, TPI Commercial Fan Forced Ceiling Heater 3380 Series for Commercial Use, TPI Commercial Fan Forced Ceiling Heater 3380 Series for Indoor Use, Commercial Fan Forced Ceiling Heater 3380 Series for Cooling Use, Commercial Fan Forced Ceiling Heater 3380 Series for Ventilation Use, TPI Commercial Fan Forced Ceiling Heater 3380 Series for Extraction Use.
Meta URL (file name)
Tpi-commercial-fan-forced-ceiling-heater-3380-series-us-english.htm

Product Line Description of 3380 Series Commercial Fan Forced Ceiling Heater



Ecological HVAC Supply & Engineering
 1-888-514-1516, (626) 771-0048, F: (626) 771-0047
 sales@ventdepot.com www.VentDepot.com



TPI Corporation
 America's Comfort Conditioning Company

3380 Series
Commercial Fan Forced
Ceiling Heater
 Data Sheet

```
<FONT Size=1>
<b>Product Description:</b> TPI Commercial Fan Forced Ceiling Heater 3380 Series<br>
<b>Weather Rating:</b> Indoor<br>
<b>Kilowatts:</b> 1.5 to 4.8Kw<br>
<b>Voltage:</b> 120,208,240 & 277V<br>
<b>Phases:</b> 1Ph<br>
<b>BTU'S:</b> 5120 to 16382<br>
<b>Amperes:</b> 8.3/7.2 to 23.1A<br>
<b>Temperature Rise:</b> 27 to 76°F<br>
<b>Mounting Options:</b> None, Surface or T-Bar<br>
<b>Product Type:</b> TPI Commercial Fan Forced Ceiling Heater<br>
<b>Usual Delivery Time or Lead Time:</b> 1 to 2 weeks<br>
<b>Shipping Type:</b> Fedex, UPS Package, LTL Freight<br>
</FONT>
```