



ExtraAir

Características Generales del Extractor Axial para Muro, ExtraAir.

El ExtraAir, es un extractor axial son de transmisión por correa las aspas son fabricadas en acero galvanizado o aluminio dependiendo del nivel de construcción.

El modelo está diseñado para aplicaciones comerciales e industriales que requieren grandes volúmenes de aire a bajas presiones estáticas. La construcción incluye rieles de bastidor de transmisión rígidos y una placa de motor / cojinete de una pieza.

Las hélices están disponibles en tres niveles de construcción de comercial a industrial.

Los diseños de las aspas múltiples permiten un sonido bajo una eficiencia óptima.

Polea de motor ajustable de paso variable para optimizar el rendimiento.

Panel de acero galvanizado con venturi de una sola pieza.

Temperatura máxima del aire de entrada: 130° F.

Hélices de acero galvanizado, aluminio fundido o galvanizado reforzado de 6 y 5 palas.

Material del marco, acero galvanizado.

Material del impulsor, acero galvanizado, acero, o aluminio moldeado.

Posición de montaje horizontal, vertical.

Motor ODP motor abierto a prueba de goteo.

Motor TEFC motor totalmente cerrado enfriado por el ventilador.

Aplicaciones del Extractor Axial para Muro, ExtraAir.

El ExtraAir, utilizado en almacenes, fabricas, bodegas, talleres automotrices, andenes de carga, estacionamientos, invernadero.

Garantía del Extractor Axial para Muro, ExtraAir.

El ExtraAir, cuenta con 1 año de garantía sujeto a cláusulas de VentDepot.



Características Técnicas Específicas del Extractor Axial para Muro, ExtraAir.

| Clave | Caudal a Descarga Libre | | Ø Aspas Pulg. | Fase | V | HP | BHP | RPM | dBA | A | Tipo de Motor | Aspas | Dimensiones con Empaque en cm. | | | |
|-----------|-------------------------|-------|------------------|------|---------------|-----|------|------|-----|---------------|---------------|-------|--------------------------------|------|------|-------|
| | CFM | m³/hr | | | | | | | | | | | Peso Kg | Base | Alto | Ancho |
| MXAXI-001 | 3581 | 6084 | 20 | 1 | 115 | 1/4 | 0.3 | 953 | 67 | 4.6 | ODP | 6 | 25 | 66 | 66 | 55 |
| MXAXI-002 | 3904 | 6632 | 20 | 1 | 115 | 1/3 | 0.4 | 1039 | 68 | 5.5 | ODP | 6 | 27 | 66 | 66 | 55 |
| MXAXI-003 | 4587 | 7793 | 20 | 1 | 115 / 208-230 | 1/2 | 0.6 | 1221 | 72 | 6.8 / 3.6-3.4 | ODP | 6 | 30 | 66 | 66 | 55 |
| MXAXI-004 | 4404 | 7482 | 20 | 1 | 115 | 1/4 | 0.3 | 861 | 64 | 4.6 | ODP | 5 | 26 | 66 | 66 | 55 |
| MXAXI-005 | 4844 | 8230 | 20 | 1 | 115 | 1/3 | 0.4 | 947 | 66 | 5.5 | ODP | 5 | 27 | 66 | 66 | 55 |
| MXAXI-006 | 5550 | 9429 | 20 | 1 | 115 / 208-230 | 1/2 | 0.6 | 1085 | 69 | 6.8 / 3.6-3.4 | ODP | 5 | 30 | 66 | 66 | 55 |
| MXAXI-007 | 4105 | 6974 | 24 | 1 | 115 | 1/4 | 0.3 | 785 | 65 | 4.6 | ODP | 6 | 29 | 76 | 76 | 51 |
| MXAXI-008 | 4586 | 7791 | 24 | 1 | 115 | 1/3 | 0.42 | 877 | 68 | 5.5 | ODP | 6 | 31 | 76 | 76 | 51 |
| MXAXI-009 | 5281 | 8972 | 24 | 1 | 115 / 208-230 | 1/2 | 0.6 | 1010 | 73 | 6.8 / 3.6-3.4 | ODP | 6 | 33 | 76 | 76 | 51 |
| MXAXI-010 | 5569 | 9461 | 24 | 1 | 115 | 1/4 | 0.3 | 593 | 61 | 4.6 | ODP | 5 | 29 | 76 | 76 | 51 |
| MXAXI-011 | 6133 | 10420 | 24 | 1 | 115 | 1/3 | 0.4 | 653 | 63 | 5.5 | ODP | 5 | 31 | 76 | 76 | 51 |
| MXAXI-012 | 7025 | 11935 | 24 | 1 | 115 / 208-230 | 1/2 | 0.6 | 748 | 66 | 6.8 / 3.6-3.4 | ODP | 5 | 33 | 76 | 76 | 51 |
| MXAXI-013 | 7598 | 12909 | 24 | 1 | 115/230 | 3/4 | 0.8 | 809 | 68 | 10.8 / 5.4 | ODP | 5 | 33 | 76 | 76 | 51 |





Características Técnicas Específicas del Extractor Axial para Muro, ExtraAir.

| Clave | Caudal a Descarga Libre | | Ø Aspas Pulg. | Fase | V | HP | BHP | RPM | dBA | A | Tipo de Motor | Aspas | Dimensiones con Empaque en cm. | | | |
|-----------|-------------------------|-------|------------------|------|---------------|-------|------|------|-----|------------------|---------------|-------|--------------------------------|------|------|-------|
| | CFM | m³/hr | | | | | | | | | | | Peso Kg | Base | Alto | Ancho |
| MXAXI-014 | 5518 | 9375 | 24 | 1 | 115 | 1/3 | 0.4 | 968 | 69 | 5.5 | ODP | 6 | 34 | 76 | 76 | 51 |
| MXAXI-015 | 6317 | 10732 | 24 | 1 | 115 / 208-230 | 1/2 | 0.6 | 1108 | 75 | 6.8 / 3.6-3.4 | ODP | 6 | 37 | 76 | 76 | 51 |
| MXAXI-016 | 7229 | 12282 | 24 | 1 | 115/230 | 3/4 | 0.9 | 1268 | 76 | 10.8 / 5.4 | ODP | 6 | 37 | 76 | 76 | 51 |
| MXAXI-017 | 7958 | 13520 | 24 | 1 | 115 / 208-230 | 1 | 1.2 | 1396 | 77 | 14.2 / 7.2-7.2 | ODP | 6 | 40 | 76 | 76 | 51 |
| MXAXI-018 | 6970 | 11842 | 30 | 1 | 115 / 208-230 | 1/4 | 0.3 | 610 | 64 | 5.2 / 2.3-2.6 | ODP | 6 | 35 | 91 | 91 | 60 |
| MXAXI-019 | 7713 | 13104 | 30 | 1 | 115 | 1/3 | 0.4 | 675 | 66 | 5.5 | ODP | 6 | 37 | 91 | 91 | 60 |
| MXAXI-020 | 9095 | 15452 | 30 | 1 | 115 / 208-230 | 1/2 | 0.6 | 796 | 70 | 6.8 / 3.6-3.4 | ODP | 6 | 39 | 91 | 91 | 60 |
| MXAXI-021 | 10078 | 17122 | 30 | 1 | 115/230 | 3/4 | 0.9 | 882 | 73 | 10.8 / 5.4 | ODP | 6 | 39 | 91 | 91 | 60 |
| MXAXI-022 | 7860 | 13354 | 30 | 1 | 115 / 208-230 | 1/4 | 0.3 | 475 | 62 | 5.2 / 2.3-2.6 | ODP | 5 | 35 | 91 | 91 | 56 |
| MXAXI-023 | 8654 | 14703 | 30 | 1 | 115 | 1/3 | 0.4 | 523 | 64 | 5.5 | ODP | 5 | 37 | 91 | 91 | 56 |
| MXAXI-024 | 9895 | 16811 | 30 | 1 | 115 / 208-230 | 1/2 | 0.6 | 598 | 67 | 6.8 / 3.6-3.4 | ODP | 5 | 39 | 91 | 91 | 56 |
| MXAXI-025 | 11335 | 19258 | 30 | 1 | 115/230 | 3/4 | 0.9 | 685 | 70 | 10.8 / 5.4 | ODP | 5 | 39 | 91 | 91 | 56 |
| MXAXI-026 | 11517 | 19567 | 30 | 1 | 115 / 208-230 | 1 | 0.94 | 696 | 71 | 14.2 / 7.2-7.2 | ODP | 5 | 42 | 91 | 91 | 56 |
| MXAXI-027 | 11335 | 19258 | 30 | 1 | 115/230 | 3/4 | 0.9 | 685 | 70 | 10.8 / 5.4 | ODP | 5 | 42 | 91 | 91 | 56 |
| MXAXI-028 | 12477 | 21198 | 30 | 1 | 115 / 208-230 | 1 | 1.2 | 754 | 73 | 14.2 / 7.2-7.2 | ODP | 5 | 45 | 91 | 91 | 56 |
| MXAXI-029 | 14297 | 24290 | 30 | 1 | 115 / 208-230 | 1 1/2 | 1.8 | 864 | 76 | 16.4 / 8.4-8.2 | ODP | 5 | 47 | 91 | 91 | 56 |
| MXAXI-030 | 10572 | 17961 | 36 | 1 | 115 | 1/3 | 0.4 | 481 | 64 | 5.5 | ODP | 6 | 46 | 106 | 106 | 61 |
| MXAXI-031 | 12220 | 20761 | 36 | 1 | 115 / 208-230 | 1/2 | 0.6 | 556 | 67 | 6.8 / 3.6-3.4 | ODP | 6 | 48 | 106 | 106 | 61 |
| MXAXI-032 | 13802 | 23449 | 36 | 1 | 115/230 | 3/4 | 0.9 | 628 | 70 | 10.8 / 5.4 | ODP | 6 | 48 | 106 | 106 | 61 |
| MXAXI-033 | 15253 | 25914 | 36 | 1 | 115 / 208-230 | 1 | 1.2 | 694 | 72 | 14.2 / 7.2-7.2 | ODP | 6 | 52 | 106 | 106 | 61 |
| MXAXI-034 | 11078 | 18821 | 36 | 1 | 115 | 1/3 | 0.4 | 384 | 61 | 5.5 | ODP | 5 | 46 | 106 | 106 | 61 |
| MXAXI-035 | 12636 | 21468 | 36 | 1 | 115 / 208-230 | 1/3 | 0.6 | 438 | 64 | 6.8 / 3.6-3.4 | ODP | 5 | 48 | 106 | 106 | 61 |
| MXAXI-036 | 14425 | 24508 | 36 | 1 | 115/230 | 3/4 | 0.9 | 500 | 67 | 10.8 / 5.4 | ODP | 5 | 48 | 106 | 106 | 61 |
| MXAXI-037 | 15896 | 27007 | 36 | 1 | 115 / 208-230 | 1 | 1.2 | 551 | 69 | 14.2 / 7.2-7.2 | ODP | 5 | 52 | 106 | 106 | 61 |
| MXAXI-038 | 15867 | 26958 | 36 | 1 | 115 / 208-230 | 1 | 1.2 | 550 | 69 | 14.2 / 7.2-7.2 | ODP | 5 | 57 | 106 | 106 | 61 |
| MXAXI-039 | 18204 | 30928 | 36 | 1 | 115 / 208-230 | 1 1/2 | 1.8 | 631 | 73 | 16.4 / 8.4-8.2 | ODP | 5 | 59 | 106 | 106 | 61 |
| MXAXI-040 | 3581 | 6084 | 20 | 3 | 208-230 / 460 | 1/4 | 0.3 | 953 | 67 | 1.3-1.2 / 0.8 | ODP | 6 | 25 | 66 | 66 | 55 |
| MXAXI-041 | 3904 | 6632 | 20 | 3 | 208-230 / 460 | 1/3 | 0.4 | 1039 | 68 | 1.5-1.6 / 0.8 | ODP | 6 | 27 | 66 | 66 | 55 |
| MXAXI-042 | 4587 | 7793 | 20 | 3 | 208-230 / 460 | 1/2 | 0.6 | 1221 | 72 | 2.1-2.2 / 1.1 | ODP | 6 | 30 | 66 | 66 | 55 |
| MXAXI-043 | 4404 | 7482 | 20 | 3 | 208-230 / 460 | 1/4 | 0.3 | 861 | 64 | 1.15-1.24 / 0.62 | ODP | 5 | 26 | 66 | 66 | 55 |
| MXAXI-044 | 4844 | 8230 | 20 | 3 | 208-230 / 460 | 1/3 | 0.4 | 947 | 66 | 1.45-1.51 / 0.76 | ODP | 5 | 27 | 66 | 66 | 55 |
| MXAXI-045 | 5550 | 9429 | 20 | 3 | 208-230 / 460 | 1/2 | 0.6 | 1085 | 69 | 2.3-2.4 / 1.2 | ODP | 5 | 30 | 66 | 66 | 55 |
| MXAXI-046 | 4105 | 6974 | 24 | 3 | 208-230 / 460 | 1/4 | 0.3 | 785 | 65 | 1.3-1.2 / 0.8 | ODP | 6 | 29 | 76 | 76 | 51 |
| MXAXI-047 | 4586 | 7791 | 24 | 3 | 208-230 / 460 | 1/3 | 0.42 | 877 | 68 | 1.5-1.6 / 0.8 | ODP | 6 | 31 | 76 | 76 | 51 |
| MXAXI-048 | 5281 | 8972 | 24 | 3 | 208-230 / 460 | 1/2 | 0.6 | 1010 | 73 | 2.1-2.2 / 1.1 | ODP | 6 | 33 | 76 | 76 | 51 |
| MXAXI-049 | 5569 | 9461 | 24 | 3 | 208-230 / 460 | 1/4 | 0.3 | 593 | 61 | 1.15-1.24 / 0.62 | ODP | 6 | 29 | 76 | 76 | 51 |
| MXAXI-050 | 6133 | 10420 | 24 | 3 | 208-230 / 460 | 1/3 | 0.4 | 653 | 63 | 1.45-1.51 / 0.76 | ODP | 5 | 31 | 76 | 76 | 51 |
| MXAXI-051 | 7025 | 11935 | 24 | 3 | 208-230 / 460 | 1/2 | 0.6 | 748 | 66 | 2.3-2.4 / 1.2 | ODP | 5 | 33 | 76 | 76 | 51 |
| MXAXI-052 | 7598 | 12909 | 24 | 3 | 208-230 / 460 | 3/4 | 0.8 | 809 | 68 | 2.54-2.3 / 1.15 | ODP | 5 | 33 | 76 | 76 | 51 |
| MXAXI-053 | 5518 | 9375 | 24 | 3 | 208-230 / 460 | 1/3 | 0.4 | 968 | 69 | 1.5-1.6 / 0.8 | ODP | 6 | 34 | 76 | 76 | 51 |
| MXAXI-054 | 6317 | 10732 | 24 | 3 | 208-230 / 460 | 1/2 | 0.6 | 1108 | 75 | 2.1-2.2 / 1.1 | ODP | 6 | 37 | 76 | 76 | 51 |
| MXAXI-055 | 7229 | 12282 | 24 | 3 | 208-230 / 460 | 3/4 | 0.9 | 1268 | 76 | 3.3-3.0 / 1.5 | ODP | 6 | 37 | 76 | 76 | 51 |
| MXAXI-056 | 7958 | 13520 | 24 | 3 | 208-230 / 460 | 1 | 1.2 | 1396 | 77 | 3.47-3.14 / 1.57 | ODP | 6 | 40 | 76 | 76 | 51 |





Características Técnicas Específicas del Extractor Axial para Muro, ExtraAir.

| Clave | Caudal a Descarga Libre | | Ø Aspas Pulg. | Fase | V | HP | BHP | RPM | dBA | A | Tipo de Motor | Aspas | Dimensiones con Empaque en cm. | | | |
|-----------|-------------------------|-------|------------------|------|---------------|-------|------|------|-----|------------------|---------------|-------|--------------------------------|------|------|-------|
| | CFM | m³/hr | | | | | | | | | | | Peso Kg | Base | Alto | Ancho |
| MXAXI-057 | 6970 | 11842 | 30 | 3 | 208-230 / 460 | 1/4 | 0.3 | 610 | 64 | 1.15-1.24 / 0.62 | ODP | 6 | 35 | 91 | 91 | 60 |
| MXAXI-058 | 7713 | 13104 | 30 | 3 | 208-230 / 460 | 1/3 | 0.4 | 675 | 66 | 1.5-1.6 / 0.8 | ODP | 6 | 37 | 91 | 91 | 60 |
| MXAXI-059 | 9095 | 15452 | 30 | 3 | 208-230 / 460 | 1/2 | 0.6 | 796 | 70 | 2.1-2.2 / 1.1 | ODP | 6 | 39 | 91 | 91 | 60 |
| MXAXI-060 | 10078 | 17122 | 30 | 3 | 208-230 / 460 | 3/4 | 0.9 | 882 | 73 | 3.3-3.0 / 1.5 | ODP | 6 | 39 | 91 | 91 | 60 |
| MXAXI-061 | 7860 | 13354 | 30 | 3 | 208-230 / 460 | 1/4 | 0.3 | 475 | 62 | 1.15-1.24 / 0.62 | ODP | 5 | 35 | 91 | 91 | 56 |
| MXAXI-062 | 8654 | 14703 | 30 | 3 | 208-230 / 460 | 1/3 | 0.4 | 523 | 64 | 1.45-1.51 / 0.76 | ODP | 5 | 37 | 91 | 91 | 56 |
| MXAXI-063 | 9895 | 16811 | 30 | 3 | 208-230 / 460 | 1/2 | 0.6 | 598 | 67 | 2.3-2.4 / 1.2 | ODP | 5 | 39 | 91 | 91 | 56 |
| MXAXI-064 | 11335 | 19258 | 30 | 3 | 208-230 / 460 | 3/4 | 0.9 | 685 | 70 | 2.54-2.3 / 1.15 | ODP | 5 | 39 | 91 | 91 | 56 |
| MXAXI-065 | 11517 | 19567 | 30 | 3 | 208-230 / 460 | 1 | 0.94 | 696 | 71 | 3.47-3.14 / 1.57 | ODP | 5 | 42 | 91 | 91 | 56 |
| MXAXI-066 | 11335 | 19258 | 30 | 3 | 208-230 / 460 | 3/4 | 0.9 | 685 | 70 | 3.3-3.0 / 1.5 | ODP | 5 | 42 | 91 | 91 | 56 |
| MXAXI-067 | 12477 | 21198 | 30 | 3 | 208-230 / 460 | 1 | 1.2 | 754 | 73 | 3.47-3.14 / 1.57 | ODP | 5 | 45 | 91 | 91 | 56 |
| MXAXI-068 | 14297 | 24290 | 30 | 3 | 208-230 / 460 | 1 1/2 | 1.8 | 864 | 76 | 4.64-4.2 / 2.1 | ODP | 5 | 47 | 91 | 91 | 56 |
| MXAXI-069 | 15720 | 26708 | 30 | 3 | 208-230 / 460 | 2 | 2.4 | 950 | 79 | 5.95-5.38 / 2.69 | ODP | 5 | 47 | 91 | 91 | 56 |
| MXAXI-070 | 10572 | 17961 | 36 | 3 | 208-230 / 460 | 1/3 | 0.4 | 481 | 64 | 1.45-1.51 / 0.76 | ODP | 6 | 46 | 106 | 106 | 61 |
| MXAXI-071 | 12220 | 20761 | 36 | 3 | 208-230 / 460 | 1/2 | 0.6 | 556 | 67 | 2.3-2.4 / 1.2 | ODP | 6 | 48 | 106 | 106 | 61 |
| MXAXI-072 | 13802 | 23449 | 36 | 3 | 208-230 / 460 | 3/4 | 0.9 | 628 | 70 | 2.54-2.3 / 1.15 | ODP | 6 | 48 | 106 | 106 | 61 |
| MXAXI-073 | 15253 | 25914 | 36 | 3 | 208-230 / 460 | 1 | 1.2 | 694 | 72 | 3.47-3.14 / 1.57 | ODP | 6 | 52 | 106 | 106 | 61 |
| MXAXI-074 | 11078 | 18821 | 36 | 3 | 208-230 / 460 | 1/3 | 0.4 | 384 | 61 | 1.5-1.6 / 0.8 | ODP | 5 | 46 | 106 | 106 | 61 |
| MXAXI-075 | 12636 | 21468 | 36 | 3 | 208-230 / 460 | 1/2 | 0.6 | 438 | 64 | 2.1-2.2 / 1.1 | ODP | 5 | 48 | 106 | 106 | 61 |
| MXAXI-076 | 14425 | 24508 | 36 | 3 | 208-230 / 460 | 3/4 | 0.9 | 500 | 67 | 3.3-3.0 / 1.5 | ODP | 5 | 48 | 106 | 106 | 61 |
| MXAXI-077 | 15896 | 27007 | 36 | 3 | 208-230 / 460 | 1 | 1.2 | 551 | 69 | 3.47-3.14 / 1.57 | ODP | 5 | 52 | 106 | 106 | 61 |
| MXAXI-078 | 15867 | 26958 | 36 | 3 | 208-230 / 460 | 1 | 1.2 | 550 | 69 | 3.47-3.14 / 1.57 | ODP | 5 | 57 | 106 | 106 | 61 |
| MXAXI-079 | 18204 | 30928 | 36 | 3 | 208-230 / 460 | 1 1/2 | 1.8 | 631 | 73 | 4.64-4.2 / 2.1 | ODP | 5 | 59 | 106 | 106 | 61 |
| MXAXI-080 | 19993 | 33968 | 36 | 3 | 208-230 / 460 | 2 | 2.4 | 693 | 76 | 5.95-5.5 / 2.75 | ODP | 5 | 63 | 106 | 106 | 61 |
| MXAXI-081 | 3581 | 6084 | 20 | 1 | 115 | 1/4 | 0.3 | 953 | 67 | 4.6 | TEFC | 6 | 25 | 66 | 66 | 55 |
| MXAXI-082 | 3904 | 6632 | 20 | 1 | 115 | 1/3 | 0.4 | 1039 | 68 | 5.9 | TEFC | 6 | 27 | 66 | 66 | 55 |
| MXAXI-083 | 4587 | 7793 | 20 | 1 | 115 / 208-230 | 1/2 | 0.6 | 1221 | 72 | 3.2 | TEFC | 6 | 30 | 66 | 66 | 55 |
| MXAXI-084 | 4404 | 7482 | 20 | 1 | 115 | 1/4 | 0.3 | 861 | 64 | 4.6 | TEFC | 5 | 26 | 66 | 66 | 55 |
| MXAXI-085 | 4844 | 8230 | 20 | 1 | 115 | 1/3 | 0.4 | 947 | 66 | 5.9 | TEFC | 5 | 27 | 66 | 66 | 55 |
| MXAXI-086 | 5550 | 9429 | 20 | 1 | 115 / 208-230 | 1/2 | 0.6 | 1085 | 69 | 3.2 | TEFC | 5 | 30 | 66 | 66 | 55 |
| MXAXI-087 | 4105 | 6974 | 24 | 1 | 115 | 1/4 | 0.3 | 785 | 65 | 4.6 | TEFC | 6 | 29 | 76 | 76 | 51 |
| MXAXI-088 | 4586 | 7791 | 24 | 1 | 115 | 1/3 | 0.42 | 877 | 68 | 5.9 | TEFC | 6 | 31 | 76 | 76 | 51 |
| MXAXI-089 | 5281 | 8972 | 24 | 1 | 115/230 | 1/2 | 0.6 | 1010 | 73 | 8.0 / 4.0 | TEFC | 6 | 33 | 76 | 76 | 51 |
| MXAXI-090 | 5569 | 9461 | 24 | 1 | 115 | 1/4 | 0.3 | 593 | 61 | 4.6 | TEFC | 5 | 29 | 76 | 76 | 51 |
| MXAXI-091 | 6133 | 10420 | 24 | 1 | 115 | 1/3 | 0.4 | 653 | 63 | 5.9 | TEFC | 5 | 31 | 76 | 76 | 51 |
| MXAXI-092 | 7025 | 11935 | 24 | 1 | 115/230 | 1/2 | 0.6 | 748 | 66 | 8.0 / 4.0 | TEFC | 5 | 33 | 76 | 76 | 51 |
| MXAXI-093 | 7598 | 12909 | 24 | 1 | 115/230 | 3/4 | 0.8 | 809 | 68 | 11.0 / 5.5 | TEFC | 5 | 33 | 76 | 76 | 51 |
| MXAXI-094 | 5518 | 9375 | 24 | 1 | 115 | 1/3 | 0.4 | 968 | 69 | 5.9 | TEFC | 6 | 34 | 76 | 76 | 51 |
| MXAXI-095 | 6317 | 10732 | 24 | 1 | 115/230 | 1/2 | 0.6 | 1108 | 75 | 8.0 / 4.0 | TEFC | 6 | 37 | 76 | 76 | 51 |
| MXAXI-096 | 7229 | 12282 | 24 | 1 | 115/230 | 3/4 | 0.9 | 1268 | 76 | 11.0 / 5.5 | TEFC | 6 | 37 | 76 | 76 | 51 |
| MXAXI-097 | 7958 | 13520 | 24 | 1 | 115/230 | 1 | 1.2 | 1396 | 77 | 13.2 / 6.6 | TEFC | 6 | 40 | 76 | 76 | 51 |
| MXAXI-098 | 6970 | 11842 | 30 | 1 | 115 / 208-230 | 1/4 | 0.3 | 610 | 64 | 6.0 / 2.8-3.0 | TEFC | 6 | 35 | 91 | 91 | 60 |
| MXAXI-099 | 7713 | 13104 | 30 | 1 | 115 / 208-230 | 1/3 | 0.4 | 675 | 66 | 6.6 / 3.1-3.3 | TEFC | 6 | 37 | 91 | 91 | 60 |





Características Técnicas Específicas del Extractor Axial para Muro, ExtraAir.

| Clave | Caudal a Descarga Libre | | Ø Aspas Pulg. | Fase | V | HP | BHP | RPM | dBA | A | Tipo de Motor | Aspas | Dimensiones con Empaque en cm. | | | |
|-----------|-------------------------|-------|------------------|------|---------------|-------|------|------|-----|----------------|---------------|-------|--------------------------------|------|------|-------|
| | CFM | m³/hr | | | | | | | | | | | Peso Kg | Base | Alto | Ancho |
| MXAXI-100 | 9095 | 15452 | 30 | 1 | 115/230 | 1/2 | 0.6 | 796 | 70 | 8.0 / 4.0 | TEFC | 6 | 39 | 91 | 91 | 60 |
| MXAXI-101 | 10078 | 17122 | 30 | 1 | 115/230 | 3/4 | 0.9 | 882 | 73 | 11.0 / 5.5 | TEFC | 6 | 39 | 91 | 91 | 60 |
| MXAXI-102 | 7860 | 13354 | 30 | 1 | 115 | 1/4 | 0.3 | 475 | 62 | 4.6 | TEFC | 5 | 35 | 91 | 91 | 60 |
| MXAXI-103 | 8654 | 14703 | 30 | 1 | 115 | 1/3 | 0.4 | 523 | 64 | 5.9 | TEFC | 5 | 37 | 91 | 91 | 56 |
| MXAXI-104 | 9895 | 16811 | 30 | 1 | 115/230 | 1/2 | 0.6 | 598 | 67 | 8.0 / 4.0 | TEFC | 5 | 39 | 91 | 91 | 56 |
| MXAXI-105 | 11335 | 19258 | 30 | 1 | 115/230 | 3/4 | 0.9 | 685 | 70 | 11.0 / 5.5 | TEFC | 5 | 39 | 91 | 91 | 56 |
| MXAXI-106 | 11517 | 19567 | 30 | 1 | 115 / 208-230 | 1 | 0.94 | 696 | 71 | 13.4 / 6.8-6.7 | TEFC | 5 | 42 | 91 | 91 | 56 |
| MXAXI-107 | 11335 | 19258 | 30 | 1 | 115/230 | 3/4 | 0.9 | 685 | 70 | 11.0 / 5.5 | TEFC | 5 | 42 | 91 | 91 | 56 |
| MXAXI-108 | 12477 | 21198 | 30 | 1 | 115 / 208-230 | 1 | 1.2 | 754 | 73 | 13.4 / 6.8-6.7 | TEFC | 5 | 45 | 91 | 91 | 56 |
| MXAXI-109 | 14297 | 24290 | 30 | 1 | 115 / 208-230 | 1 1/2 | 1.8 | 864 | 76 | 15.5 / 7.1-7.3 | TEFC | 5 | 47 | 91 | 91 | 56 |
| MXAXI-110 | 10572 | 17961 | 36 | 1 | 115 | 1/3 | 0.4 | 481 | 64 | 5.9 | TEFC | 6 | 46 | 106 | 106 | 61 |
| MXAXI-111 | 12220 | 20761 | 36 | 1 | 115/230 | 1/2 | 0.6 | 556 | 67 | 8.0 / 4.0 | TEFC | 6 | 48 | 106 | 106 | 61 |
| MXAXI-112 | 13802 | 23449 | 36 | 1 | 115/230 | 3/4 | 0.9 | 628 | 70 | 11.0 / 5.5 | TEFC | 6 | 48 | 106 | 106 | 61 |
| MXAXI-113 | 15253 | 25914 | 36 | 1 | 115 / 208-230 | 1 | 1.2 | 694 | 72 | 13.4 / 6.8-6.7 | TEFC | 6 | 52 | 106 | 106 | 61 |
| MXAXI-114 | 11078 | 18821 | 36 | 1 | 115 / 208-230 | 1/3 | 0.4 | 384 | 61 | 6.6 / 3.1-3.3 | TEFC | 5 | 46 | 106 | 106 | 61 |
| MXAXI-115 | 12636 | 21468 | 36 | 1 | 115/230 | 1/2 | 0.6 | 438 | 64 | 8.0 / 4.0 | TEFC | 5 | 48 | 106 | 106 | 61 |
| MXAXI-116 | 14425 | 24508 | 36 | 1 | 115/230 | 3/4 | 0.9 | 500 | 67 | 11.0 / 5.5 | TEFC | 5 | 48 | 106 | 106 | 61 |
| MXAXI-117 | 15896 | 27007 | 36 | 1 | 115 / 208-230 | 1 | 1.2 | 551 | 69 | 13.4 / 6.8-6.7 | TEFC | 5 | 52 | 106 | 106 | 61 |
| MXAXI-118 | 15867 | 26958 | 36 | 1 | 115 / 208-230 | 1 | 1.2 | 550 | 69 | 13.4 / 6.8-6.7 | TEFC | 5 | 57 | 106 | 106 | 61 |
| MXAXI-119 | 18204 | 30928 | 36 | 1 | 115 / 208-230 | 1 1/2 | 1.8 | 631 | 73 | 15.5 / 7.1-7.3 | TEFC | 5 | 59 | 106 | 106 | 61 |
| MXAXI-120 | 3581 | 6084 | 20 | 3 | 208-230 / 460 | 1/4 | 0.3 | 953 | 67 | 1.7-1.3 / 0.65 | TEFC | 6 | 25 | 106 | 106 | 61 |
| MXAXI-121 | 3904 | 6632 | 20 | 3 | 208-230 / 460 | 1/3 | 0.4 | 1039 | 68 | 1.5-1.6 / 0.8 | TEFC | 6 | 27 | 66 | 66 | 55 |
| MXAXI-122 | 4587 | 7793 | 20 | 3 | 208-230 / 460 | 1/2 | 0.6 | 1221 | 72 | 2.3-2.4 / 1.2 | TEFC | 6 | 30 | 66 | 66 | 55 |
| MXAXI-123 | 4404 | 7482 | 20 | 3 | 208-230 / 460 | 1/4 | 0.3 | 861 | 64 | 1.7-1.3 / 0.65 | TEFC | 5 | 26 | 66 | 66 | 55 |
| MXAXI-124 | 4844 | 8230 | 20 | 3 | 208-230 / 460 | 1/3 | 0.4 | 947 | 66 | 1.5-1.6 / 0.8 | TEFC | 5 | 27 | 66 | 66 | 55 |
| MXAXI-125 | 5550 | 9429 | 20 | 3 | 208-230 / 460 | 1/2 | 0.6 | 1085 | 69 | 2.3-2.4 / 1.2 | TEFC | 5 | 30 | 66 | 66 | 55 |
| MXAXI-126 | 4105 | 6974 | 24 | 3 | 208-230 / 460 | 1/4 | 0.3 | 785 | 65 | 1.7-1.3 / 0.65 | TEFC | 6 | 29 | 66 | 66 | 55 |
| MXAXI-127 | 4586 | 7791 | 24 | 3 | 208-230 / 460 | 1/3 | 0.42 | 877 | 68 | 1.8-1.6 / 0.8 | TEFC | 6 | 31 | 76 | 76 | 51 |
| MXAXI-128 | 5281 | 8972 | 24 | 3 | 208-230 / 460 | 1/2 | 0.6 | 1010 | 73 | 2.3-2.4 / 1.2 | TEFC | 6 | 33 | 76 | 76 | 51 |
| MXAXI-129 | 5569 | 9461 | 24 | 3 | 208-230 / 460 | 1/4 | 0.3 | 593 | 61 | 1.7-1.3 / 0.65 | TEFC | 5 | 29 | 76 | 76 | 51 |
| MXAXI-130 | 6133 | 10420 | 24 | 3 | 208-230 / 460 | 1/3 | 0.4 | 653 | 63 | 1.5-1.6 / 0.8 | TEFC | 5 | 31 | 76 | 76 | 51 |
| MXAXI-131 | 7025 | 11935 | 24 | 3 | 208-230 / 460 | 1/2 | 0.6 | 748 | 66 | 2.3-2.4 / 1.2 | TEFC | 5 | 33 | 76 | 76 | 51 |
| MXAXI-132 | 7598 | 12909 | 24 | 3 | 208-230 / 460 | 3/4 | 0.8 | 809 | 68 | 3.2-3.0 / 1.5 | TEFC | 5 | 33 | 76 | 76 | 51 |
| MXAXI-133 | 5518 | 9375 | 24 | 3 | 208-230 / 460 | 1/3 | 0.4 | 968 | 69 | 1.8-1.6 / 0.8 | TEFC | 6 | 34 | 76 | 76 | 51 |
| MXAXI-134 | 6317 | 10732 | 24 | 3 | 208-230 / 460 | 1/2 | 0.6 | 1108 | 75 | 2.3-2.4 / 1.2 | TEFC | 6 | 37 | 76 | 76 | 51 |
| MXAXI-135 | 7229 | 12282 | 24 | 3 | 208-230 / 460 | 3/4 | 0.9 | 1268 | 76 | 2.9-3.0 / 1.5 | TEFC | 6 | 37 | 76 | 76 | 51 |
| MXAXI-136 | 7958 | 13520 | 24 | 3 | 208-230 / 460 | 1 | 1.2 | 1396 | 77 | 3.1-3.0 / 1.5 | TEFC | 6 | 40 | 76 | 76 | 51 |
| MXAXI-137 | 6970 | 11842 | 30 | 3 | 208-230 / 460 | 1/4 | 0.3 | 610 | 64 | 1.7-1.3 / 0.65 | TEFC | 6 | 35 | 76 | 76 | 51 |
| MXAXI-138 | 7713 | 13104 | 30 | 3 | 208-230 / 460 | 1/3 | 0.4 | 675 | 66 | 1.8-1.6 / 0.8 | TEFC | 6 | 37 | 91 | 91 | 60 |
| MXAXI-139 | 9095 | 15452 | 30 | 3 | 208-230 / 460 | 1/2 | 0.6 | 796 | 70 | 2.3-2.4 / 1.2 | TEFC | 6 | 39 | 91 | 91 | 60 |
| MXAXI-140 | 10078 | 17122 | 30 | 3 | 208-230 / 460 | 3/4 | 0.9 | 882 | 73 | 2.9-3.0 / 1.5 | TEFC | 6 | 39 | 91 | 91 | 60 |
| MXAXI-141 | 7860 | 13354 | 30 | 3 | 208-230 / 460 | 1/4 | 0.3 | 475 | 62 | 1.7-1.3 / 0.65 | TEFC | 5 | 35 | 91 | 91 | 56 |
| MXAXI-142 | 8654 | 14703 | 30 | 3 | 208-230 / 460 | 1/3 | 0.4 | 523 | 64 | 1.5-1.6 / 0.8 | TEFC | 5 | 37 | 91 | 91 | 56 |





Características Técnicas Específicas del Extractor Axial para Muro, ExtraAir.

| Clave | Caudal a Descarga Libre | | Ø Aspas Pulg. | Fase | V | HP | BHP | RPM | dBA | A | Tipo de Motor | Aspas | Dimensiones con Empaque en cm. | | | |
|-----------|-------------------------|-------|------------------|------|---------------|-------|------|-----|-----|------------------|---------------|-------|--------------------------------|------|------|-------|
| | CFM | m³/hr | | | | | | | | | | | Peso Kg | Base | Alto | Ancho |
| MXAXI-143 | 9895 | 16811 | 30 | 3 | 208-230 / 460 | 1/2 | 0.6 | 598 | 67 | 2.3-2.4 / 1.2 | TEFC | 5 | 39 | 91 | 91 | 56 |
| MXAXI-144 | 11335 | 19258 | 30 | 3 | 208-230 / 460 | 3/4 | 0.9 | 685 | 70 | 3.2-3.0 / 1.5 | TEFC | 5 | 39 | 91 | 91 | 56 |
| MXAXI-145 | 11517 | 19567 | 30 | 3 | 208-230 / 460 | 1 | 0.94 | 696 | 71 | 3.1-3.0 / 1.5 | TEFC | 5 | 42 | 91 | 91 | 56 |
| MXAXI-146 | 11335 | 19258 | 30 | 3 | 208-230 / 460 | 3/4 | 0.9 | 685 | 70 | 2.9-3.0 / 1.5 | TEFC | 5 | 42 | 91 | 91 | 56 |
| MXAXI-147 | 12477 | 21198 | 30 | 3 | 208-230 / 460 | 1 | 1.2 | 754 | 73 | 3.1-3.0 / 1.5 | TEFC | 5 | 45 | 91 | 91 | 56 |
| MXAXI-148 | 14297 | 24290 | 30 | 3 | 208-230 / 460 | 1 1/2 | 1.8 | 864 | 76 | 4.5-4.4 / 2.2 | TEFC | 5 | 47 | 91 | 91 | 56 |
| MXAXI-149 | 15720 | 26708 | 30 | 3 | 208-230 / 460 | 2 | 2.4 | 950 | 79 | 6.6-5.8 / 2.9 | TEFC | 5 | 51 | 91 | 91 | 56 |
| MXAXI-150 | 10572 | 17961 | 36 | 3 | 208-230 / 460 | 1/3 | 0.4 | 481 | 64 | 1.5-1.6 / 0.8 | TEFC | 6 | 46 | 106 | 106 | 61 |
| MXAXI-151 | 12220 | 20761 | 36 | 3 | 208-230 / 460 | 1/2 | 0.6 | 556 | 67 | 2.3-2.4 / 1.2 | TEFC | 6 | 48 | 106 | 106 | 61 |
| MXAXI-152 | 13802 | 23449 | 36 | 3 | 208-230 / 460 | 3/4 | 0.9 | 628 | 70 | 3.2-3.0 / 1.5 | TEFC | 6 | 48 | 106 | 106 | 61 |
| MXAXI-153 | 15253 | 25914 | 36 | 3 | 208-230 / 460 | 1 | 1.2 | 694 | 72 | 3.1-3.0 / 1.5 | TEFC | 6 | 52 | 106 | 106 | 61 |
| MXAXI-154 | 11078 | 18821 | 36 | 3 | 208-230 / 460 | 1/3 | 0.4 | 384 | 61 | 1.8-1.6 / 0.8 | TEFC | 5 | 46 | 106 | 106 | 61 |
| MXAXI-155 | 12636 | 21468 | 36 | 3 | 208-230 / 460 | 1/2 | 0.6 | 438 | 64 | 2.3-2.4 / 1.2 | TEFC | 5 | 48 | 106 | 106 | 61 |
| MXAXI-156 | 14425 | 24508 | 36 | 3 | 208-230 / 460 | 3/4 | 0.9 | 500 | 67 | 2.9-3.0 / 1.5 | TEFC | 5 | 48 | 106 | 106 | 61 |
| MXAXI-157 | 15896 | 27007 | 36 | 3 | 208-230 / 460 | 1 | 1.2 | 551 | 69 | 3.1-3.0 / 1.5 | TEFC | 5 | 52 | 106 | 106 | 61 |
| MXAXI-158 | 15867 | 26958 | 36 | 3 | 208-230 / 460 | 1 | 1.2 | 550 | 69 | 3.1-3.0 / 1.5 | TEFC | 5 | 57 | 106 | 106 | 61 |
| MXAXI-159 | 18204 | 30928 | 36 | 3 | 208-230 / 460 | 1 1/2 | 1.8 | 631 | 73 | 4.5-4.4 / 2.2 | TEFC | 5 | 59 | 106 | 106 | 61 |
| MXAXI-160 | 19993 | 33968 | 36 | 3 | 208-230 / 460 | 2 | 2.4 | 693 | 76 | 5.7-5.0 / 2.5 | TEFC | 5 | 63 | 106 | 106 | 61 |
| MXAXI-161 | 12744 | 21652 | 42 | 1 | 115 | 1/3 | 0.4 | 369 | 65 | 5.5 | ODP | 6 | 60 | 122 | 122 | 65 |
| MXAXI-162 | 14712 | 24995 | 42 | 1 | 115 / 208-230 | 1/2 | 0.6 | 426 | 68 | 6.8 / 3.6-3.4 | ODP | 6 | 62 | 122 | 122 | 65 |
| MXAXI-163 | 16646 | 28281 | 42 | 1 | 115/230 | 3/4 | 0.9 | 482 | 71 | 10.8 / 5.4 | ODP | 6 | 62 | 122 | 122 | 65 |
| MXAXI-164 | 18408 | 31275 | 42 | 1 | 115 / 208-230 | 1 | 1.2 | 533 | 73 | 14.2 / 7.2-7.2 | ODP | 6 | 66 | 122 | 122 | 65 |
| MXAXI-165 | 13701 | 23278 | 42 | 1 | 115 | 1/3 | 0.4 | 294 | 61 | 5.5 | ODP | 5 | 60 | 122 | 122 | 65 |
| MXAXI-166 | 15612 | 26524 | 42 | 1 | 115 / 208-230 | 1/2 | 0.6 | 335 | 64 | 6.8 / 3.6-3.4 | ODP | 5 | 62 | 122 | 122 | 65 |
| MXAXI-167 | 17942 | 30483 | 42 | 1 | 115/230 | 3/4 | 0.9 | 385 | 67 | 10.8 / 5.4 | ODP | 5 | 62 | 122 | 122 | 65 |
| MXAXI-168 | 19759 | 33570 | 42 | 1 | 115 / 208-230 | 1 | 1.2 | 424 | 70 | 14.2 / 7.2-7.2 | ODP | 5 | 66 | 122 | 122 | 65 |
| MXAXI-169 | 19759 | 33570 | 42 | 1 | 115 / 208-230 | 1 | 1.2 | 424 | 70 | 14.2 / 7.2-7.2 | ODP | 5 | 76 | 122 | 122 | 65 |
| MXAXI-170 | 22555 | 38321 | 42 | 1 | 115 / 208-230 | 1 1/2 | 1.8 | 484 | 73 | 16.4 / 8.4-8.2 | ODP | 5 | 78 | 122 | 122 | 65 |
| MXAXI-171 | 17349 | 29476 | 48 | 1 | 115 / 208-230 | 1/2 | 0.6 | 341 | 65 | 6.8 / 3.6-3.4 | ODP | 6 | 70 | 142 | 142 | 65 |
| MXAXI-172 | 19995 | 33971 | 48 | 1 | 115/230 | 3/4 | 0.9 | 393 | 68 | 10.8 / 5.4 | ODP | 6 | 70 | 142 | 142 | 65 |
| MXAXI-173 | 21827 | 37084 | 48 | 1 | 115 / 208-230 | 1 | 1.2 | 429 | 70 | 14.2 / 7.2-7.2 | ODP | 6 | 74 | 142 | 142 | 65 |
| MXAXI-174 | 18171 | 30872 | 48 | 1 | 115 / 208-230 | 1/2 | 0.6 | 282 | 60 | 6.8 / 3.6-3.4 | ODP | 5 | 70 | 142 | 142 | 65 |
| MXAXI-175 | 20877 | 35470 | 48 | 1 | 115/230 | 3/4 | 0.9 | 324 | 64 | 10.8 / 5.4 | ODP | 5 | 70 | 142 | 142 | 65 |
| MXAXI-176 | 22875 | 38864 | 48 | 1 | 115 / 208-230 | 1 | 1.2 | 355 | 66 | 14.2 / 7.2-7.2 | ODP | 5 | 74 | 142 | 142 | 65 |
| MXAXI-177 | 21827 | 37084 | 48 | 1 | 115 / 208-230 | 1 | 1.2 | 429 | 70 | 14.2 / 7.2-7.2 | ODP | 6 | 89 | 142 | 142 | 65 |
| MXAXI-178 | 24981 | 42442 | 48 | 1 | 115 / 208-230 | 1 1/2 | 1.8 | 491 | 73 | 16.4 / 8.4-8.2 | ODP | 6 | 91 | 142 | 142 | 65 |
| MXAXI-179 | 22875 | 38864 | 48 | 1 | 115 / 208-230 | 1 | 1.2 | 355 | 66 | 14.2 / 7.2-7.2 | ODP | 5 | 89 | 142 | 142 | 65 |
| MXAXI-180 | 26226 | 44558 | 48 | 1 | 115/208-230 | 1 1/2 | 1.8 | 407 | 70 | 16.4/8.4-8.2 | ODP | 5 | 91 | 142 | 142 | 65 |
| MXAXI-181 | 23892 | 40592 | 54 | 1 | 115/208-230 | 3/4 | 0.9 | 272 | 63 | 10.0 / 5.2-5.0 | ODP | 5 | 77 | 157 | 157 | 69 |
| MXAXI-182 | 26352 | 44772 | 54 | 1 | 115/208-230 | 1 | 1.2 | 300 | 65 | 14.2 / 7.2-7.2 | ODP | 5 | 81 | 157 | 157 | 69 |
| MXAXI-183 | 30129 | 51189 | 54 | 1 | 115/208-230 | 1 1/2 | 1.8 | 343 | 67 | 16.4 / 8.4-8.2 | ODP | 5 | 83 | 157 | 157 | 69 |
| MXAXI-184 | 30129 | 51189 | 54 | 1 | 115/208-230 | 1 1/2 | 1.74 | 343 | 67 | 16.4 / 8.4-8.2 | ODP | 5 | 97 | 157 | 157 | 69 |
| MXAXI-185 | 12744 | 21652 | 42 | 3 | 208-230 / 460 | 1/3 | 0.4 | 369 | 65 | 1.45-1.51 / 0.76 | ODP | 6 | 60 | 122 | 122 | 65 |





Características Técnicas Específicas del Extractor Axial para Muro, ExtraAir.

| Clave | Caudal a Descarga Libre | | Ø Aspas Pulg. | Fase | V | HP | BHP | RPM | dBA | A | Tipo de Motor | Aspas | Dimensiones con Empaque en cm. | | | |
|-----------|-------------------------|-------|------------------|------|---------------|-------|------|-----|-----|------------------|---------------|-------|--------------------------------|------|------|-------|
| | CFM | m³/hr | | | | | | | | | | | Peso Kg | Base | Alto | Ancho |
| MXAXI-186 | 14712 | 24995 | 42 | 3 | 208-230 / 460 | 1/2 | 0.6 | 426 | 68 | 2.3-2.4 / 1.2 | ODP | 6 | 62 | 122 | 122 | 65 |
| MXAXI-187 | 16646 | 28281 | 42 | 3 | 208-230 / 460 | 3/4 | 0.9 | 482 | 71 | 2.54-2.3 / 1.15 | ODP | 6 | 62 | 122 | 122 | 65 |
| MXAXI-188 | 18408 | 31275 | 42 | 3 | 208-230 / 460 | 1 | 1.2 | 533 | 73 | 3.47-3.14 / 1.57 | ODP | 6 | 66 | 122 | 122 | 65 |
| MXAXI-189 | 13701 | 23278 | 42 | 3 | 208-230 / 460 | 1/3 | 0.4 | 294 | 61 | 1.45-1.51 / 0.76 | ODP | 5 | 60 | 122 | 122 | 65 |
| MXAXI-190 | 15612 | 26524 | 42 | 3 | 208-230 / 460 | 1/2 | 0.6 | 335 | 64 | 2.3-2.4 / 1.2 | ODP | 5 | 62 | 122 | 122 | 65 |
| MXAXI-191 | 17942 | 30483 | 42 | 3 | 208-230 / 460 | 3/4 | 0.9 | 385 | 67 | 2.54-2.3 / 1.15 | ODP | 5 | 62 | 122 | 122 | 65 |
| MXAXI-192 | 19759 | 33570 | 42 | 3 | 208-230 / 460 | 1 | 1.2 | 424 | 70 | 3.47-3.14 / 1.57 | ODP | 5 | 66 | 122 | 122 | 65 |
| MXAXI-193 | 19759 | 33570 | 42 | 3 | 208-230 / 460 | 1 | 1.2 | 424 | 70 | 3.47-3.14 / 1.57 | ODP | 5 | 76 | 122 | 122 | 65 |
| MXAXI-194 | 22555 | 38321 | 42 | 3 | 208-230 / 460 | 1 1/2 | 1.8 | 484 | 73 | 4.64-4.2 / 2.1 | ODP | 5 | 78 | 122 | 122 | 65 |
| MXAXI-195 | 24792 | 42121 | 42 | 3 | 208-230 / 460 | 2 | 2.4 | 532 | 76 | 5.95-5.5 / 2.75 | ODP | 5 | 82 | 122 | 122 | 65 |
| MXAXI-196 | 28474 | 48377 | 42 | 3 | 208-230 / 460 | 3 | 3.6 | 611 | 79 | 8.5-8.4 / 4.2 | ODP | 5 | 93 | 122 | 122 | 65 |
| MXAXI-197 | 33693 | 57244 | 42 | 3 | 208-230 / 460 | 5 | 6 | 723 | 83 | 14.0-13.2 / 6.6 | ODP | 5 | 103 | 122 | 122 | 65 |
| MXAXI-198 | 17349 | 29476 | 48 | 3 | 208-230 / 460 | 1/2 | 0.6 | 341 | 65 | 2.3-2.4 / 1.2 | ODP | 6 | 70 | 142 | 142 | 65 |
| MXAXI-199 | 19995 | 33971 | 48 | 3 | 208-230 / 460 | 3/4 | 0.9 | 393 | 68 | 2.54-2.3 / 1.15 | ODP | 6 | 70 | 142 | 142 | 65 |
| MXAXI-200 | 21827 | 37084 | 48 | 3 | 208-230 / 460 | 1 | 1.2 | 429 | 70 | 3.47-3.14 / 1.57 | ODP | 6 | 74 | 142 | 142 | 65 |
| MXAXI-201 | 18171 | 30872 | 48 | 3 | 208-230 / 460 | 1/2 | 0.6 | 282 | 60 | 2.3-2.4 / 1.2 | ODP | 5 | 70 | 142 | 142 | 65 |
| MXAXI-202 | 20877 | 35470 | 48 | 3 | 208-230 / 460 | 3/4 | 0.9 | 324 | 64 | 2.54-2.3 / 1.15 | ODP | 5 | 70 | 142 | 142 | 65 |
| MXAXI-203 | 22875 | 38864 | 48 | 3 | 208-230 / 460 | 1 | 1.2 | 355 | 66 | 3.47-3.14 / 1.57 | ODP | 5 | 74 | 142 | 142 | 65 |
| MXAXI-204 | 21827 | 37084 | 48 | 3 | 208-230 / 460 | 1 | 1.2 | 429 | 70 | 3.47-3.14 / 1.57 | ODP | 6 | 89 | 142 | 142 | 65 |
| MXAXI-205 | 24981 | 42442 | 48 | 3 | 208-230 / 460 | 1 1/2 | 1.8 | 491 | 73 | 4.64-4.2 / 2.1 | ODP | 6 | 91 | 142 | 142 | 65 |
| MXAXI-206 | 27474 | 46678 | 48 | 3 | 208-230 / 460 | 2 | 2.4 | 540 | 74 | 5.95-5.38 / 2.69 | ODP | 6 | 94 | 142 | 142 | 65 |
| MXAXI-207 | 31442 | 53420 | 48 | 3 | 208-230 / 460 | 3 | 3.6 | 618 | 76 | 8.5-8.4 / 4.2 | ODP | 6 | 106 | 142 | 142 | 65 |
| MXAXI-208 | 37344 | 63447 | 48 | 3 | 208-230 / 460 | 5 | 6 | 734 | 80 | 14.0-12.7 / 6.33 | ODP | 6 | 116 | 142 | 142 | 65 |
| MXAXI-209 | 22875 | 38864 | 48 | 3 | 208-230 / 460 | 1 | 1.2 | 355 | 66 | 3.47-3.14 / 1.57 | ODP | 5 | 89 | 142 | 142 | 65 |
| MXAXI-210 | 26226 | 44558 | 48 | 3 | 208-230 / 460 | 1 1/2 | 1.8 | 407 | 70 | 4.64-4.2 / 2.1 | ODP | 5 | 91 | 142 | 142 | 65 |
| MXAXI-211 | 28868 | 49046 | 48 | 3 | 208-230 / 460 | 2 | 2.4 | 448 | 71 | 5.95-5.5 / 2.75 | ODP | 5 | 94 | 142 | 142 | 65 |
| MXAXI-212 | 33056 | 56162 | 48 | 3 | 208-230 / 460 | 3 | 3.6 | 513 | 76 | 8.5-8.0 / 4.0 | ODP | 5 | 106 | 142 | 142 | 65 |
| MXAXI-213 | 39177 | 66562 | 48 | 3 | 208-230 / 460 | 5 | 6 | 608 | 89 | 14.0-13.2 / 6.6 | ODP | 5 | 116 | 142 | 142 | 65 |
| MXAXI-214 | 23892 | 40592 | 54 | 3 | 208-230 / 460 | 3/4 | 0.9 | 272 | 63 | 2.54-2.3 / 1.15 | ODP | 5 | 77 | 157 | 157 | 69 |
| MXAXI-215 | 26352 | 44772 | 54 | 3 | 208-230 / 460 | 1 | 1.2 | 300 | 65 | 3.47-3.14 / 1.57 | ODP | 5 | 81 | 157 | 157 | 69 |
| MXAXI-216 | 30129 | 51189 | 54 | 3 | 208-230 / 460 | 1 1/2 | 1.8 | 343 | 67 | 4.64-4.2 / 2.1 | ODP | 5 | 83 | 157 | 157 | 69 |
| MXAXI-217 | 30129 | 51189 | 54 | 3 | 208-230 / 460 | 1 1/2 | 1.74 | 343 | 67 | 4.64-4.2 / 2.1 | ODP | 5 | 97 | 157 | 157 | 69 |
| MXAXI-218 | 33379 | 56711 | 54 | 3 | 208-230 / 460 | 2 | 2.46 | 380 | 70 | 5.95-5.5 / 2.75 | ODP | 5 | 100 | 157 | 157 | 69 |
| MXAXI-219 | 38035 | 64621 | 54 | 3 | 208-230 / 460 | 3 | 3.56 | 433 | 74 | 8.5-8.4 / 4.2 | ODP | 5 | 112 | 157 | 157 | 69 |
| MXAXI-220 | 44623 | 75814 | 54 | 3 | 208-230 / 460 | 5 | 5.97 | 508 | 80 | 14.0-13.2 / 6.6 | ODP | 5 | 122 | 157 | 157 | 69 |
| MXAXI-221 | 12744 | 21652 | 42 | 1 | 115 | 1/3 | 0.4 | 369 | 65 | 5.9 | TEFC | 6 | 60 | 122 | 122 | 65 |
| MXAXI-222 | 14712 | 24995 | 42 | 1 | 115/230 | 1/2 | 0.6 | 426 | 68 | 8.0 / 4.0 | TEFC | 6 | 62 | 122 | 122 | 65 |
| MXAXI-223 | 16646 | 28281 | 42 | 1 | 115/230 | 3/4 | 0.9 | 482 | 71 | 11.0 / 5.5 | TEFC | 6 | 62 | 122 | 122 | 65 |
| MXAXI-224 | 18408 | 31275 | 42 | 1 | 115 | 1 | 1.2 | 533 | 73 | 13.4 / 6.8-6.7 | TEFC | 6 | 66 | 122 | 122 | 65 |
| MXAXI-225 | 13701 | 23278 | 42 | 1 | 115/230 | 1/3 | 0.4 | 294 | 61 | 5.9 | TEFC | 5 | 60 | 122 | 122 | 65 |
| MXAXI-226 | 15612 | 26524 | 42 | 1 | 115/230 | 1/2 | 0.6 | 335 | 64 | 8.0 / 4.0 | TEFC | 5 | 62 | 122 | 122 | 65 |
| MXAXI-227 | 17942 | 30483 | 42 | 1 | 115/230 | 3/4 | 0.9 | 385 | 67 | 11.0 / 5.5 | TEFC | 5 | 62 | 122 | 122 | 65 |
| MXAXI-228 | 19759 | 33570 | 42 | 1 | 115 / 208-230 | 1 | 1.2 | 424 | 70 | 13.4 / 6.8-6.7 | TEFC | 5 | 66 | 122 | 122 | 65 |





Características Técnicas Específicas del Extractor Axial para Muro, ExtraAir.

| Clave | Caudal a Descarga Libre | | Ø Aspas Pulg. | Fase | V | HP | BHP | RPM | dBA | A | Tipo de Motor | Aspas | Dimensiones con Empaque en cm. | | | |
|-----------|-------------------------|-------|------------------|------|---------------|-------|------|-----|-----|-----------------|---------------|-------|--------------------------------|------|------|-------|
| | CFM | m³/hr | | | | | | | | | | | Peso Kg | Base | Alto | Ancho |
| MXAXI-229 | 19759 | 33570 | 42 | 1 | 115 / 208-230 | 1 | 1.2 | 424 | 70 | 13.4 / 6.8-6.7 | TEFC | 5 | 76 | 122 | 122 | 65 |
| MXAXI-230 | 22555 | 38321 | 42 | 1 | 115 / 208-230 | 1 1/2 | 1.8 | 484 | 73 | 15.5 / 7.1-7.3 | TEFC | 5 | 78 | 122 | 122 | 65 |
| MXAXI-231 | 17349 | 29476 | 48 | 1 | 115/230 | 1/2 | 0.6 | 341 | 65 | 8.0 / 4.0 | TEFC | 6 | 70 | 142 | 142 | 65 |
| MXAXI-232 | 19995 | 33971 | 48 | 1 | 115/230 | 3/4 | 0.9 | 393 | 68 | 11.0 / 5.5 | TEFC | 6 | 70 | 142 | 142 | 65 |
| MXAXI-233 | 21827 | 37084 | 48 | 1 | 115 / 208-230 | 1 | 1.2 | 429 | 70 | 13.4 / 6.8-6.7 | TEFC | 6 | 74 | 142 | 142 | 65 |
| MXAXI-234 | 18171 | 30872 | 48 | 1 | 115/230 | 1/2 | 0.6 | 282 | 60 | 8.0 / 4.0 | TEFC | 5 | 70 | 142 | 142 | 65 |
| MXAXI-235 | 20877 | 35470 | 48 | 1 | 115/230 | 3/4 | 0.9 | 324 | 64 | 11.0 / 5.5 | TEFC | 5 | 70 | 142 | 142 | 65 |
| MXAXI-236 | 22875 | 38864 | 48 | 1 | 115 / 208-230 | 1 | 1.2 | 355 | 66 | 13.4 / 6.8-6.7 | TEFC | 5 | 74 | 142 | 142 | 65 |
| MXAXI-237 | 21827 | 37084 | 48 | 1 | 115 / 208-230 | 1 | 1.2 | 429 | 70 | 13.4 / 6.8-6.7 | TEFC | 6 | 89 | 142 | 142 | 65 |
| MXAXI-238 | 22875 | 38864 | 48 | 1 | 115 / 208-230 | 1 | 1.2 | 355 | 66 | 13.4 / 6.8-6.7 | TEFC | 5 | 89 | 142 | 142 | 65 |
| MXAXI-239 | 26226 | 44558 | 48 | 1 | 115 / 208-230 | 1 1/2 | 1.8 | 407 | 70 | 15.5 / 7.1-7.3 | TEFC | 5 | 91 | 142 | 142 | 65 |
| MXAXI-240 | 23892 | 40592 | 54 | 1 | 115/230 | 3/4 | 0.9 | 272 | 63 | 11.0 / 5.5 | TEFC | 5 | 77 | 157 | 157 | 69 |
| MXAXI-241 | 26352 | 44772 | 54 | 1 | 115 / 208-230 | 1 | 1.2 | 300 | 65 | 13.4 / 6.8-6.7 | TEFC | 5 | 81 | 157 | 157 | 69 |
| MXAXI-242 | 30129 | 51189 | 54 | 1 | 115 / 208-230 | 1 1/2 | 1.8 | 343 | 67 | 15.5 / 7.1-7.3 | TEFC | 5 | 83 | 157 | 157 | 69 |
| MXAXI-243 | 30129 | 51189 | 54 | 1 | 115 / 208-230 | 1 1/2 | 1.74 | 343 | 67 | 15.5 / 7.1-7.3 | TEFC | 5 | 97 | 157 | 157 | 69 |
| MXAXI-244 | 12744 | 21652 | 42 | 3 | 208-230 / 460 | 1/3 | 0.4 | 369 | 65 | 1.5-1.6 / 0.8 | TEFC | 6 | 60 | 122 | 122 | 65 |
| MXAXI-245 | 14712 | 24995 | 42 | 3 | 208-230 / 460 | 1/2 | 0.6 | 426 | 68 | 2.3-2.4 / 1.2 | TEFC | 6 | 62 | 122 | 122 | 65 |
| MXAXI-246 | 16646 | 28281 | 42 | 3 | 208-230 / 460 | 3/4 | 0.9 | 482 | 71 | 3.2-3.0 / 1.5 | TEFC | 6 | 62 | 122 | 122 | 65 |
| MXAXI-247 | 18408 | 31275 | 42 | 3 | 208-230 / 460 | 1 | 1.2 | 533 | 73 | 3.1-3.0/1.5 | TEFC | 6 | 66 | 122 | 122 | 65 |
| MXAXI-248 | 13701 | 23278 | 42 | 3 | 208-230 / 460 | 1/3 | 0.4 | 294 | 61 | 1.5-1.6/0.8 | TEFC | 5 | 60 | 122 | 122 | 65 |
| MXAXI-249 | 15612 | 26524 | 42 | 3 | 208-230 / 460 | 1/2 | 0.6 | 335 | 64 | 1.7-1.6/0.8 | TEFC | 5 | 62 | 122 | 122 | 65 |
| MXAXI-250 | 17942 | 30483 | 42 | 3 | 208-230 / 460 | 3/4 | 0.9 | 385 | 67 | 3.2-3.0 / 1.5 | TEFC | 5 | 62 | 122 | 122 | 65 |
| MXAXI-251 | 19759 | 33570 | 42 | 3 | 208-230 / 460 | 1 | 1.2 | 424 | 70 | 13.4 / 6.8-6.7 | TEFC | 5 | 66 | 122 | 122 | 65 |
| MXAXI-252 | 19759 | 33570 | 42 | 3 | 208-230 / 460 | 1 | 1.2 | 424 | 70 | 13.4 / 6.8-6.7 | TEFC | 5 | 76 | 122 | 122 | 65 |
| MXAXI-253 | 22555 | 38321 | 42 | 3 | 208-230 / 460 | 1 1/2 | 1.8 | 484 | 73 | 4.5-4.4 / 2.2 | TEFC | 5 | 78 | 122 | 122 | 65 |
| MXAXI-254 | 24792 | 42121 | 42 | 3 | 208-230 / 460 | 2 | 2.4 | 532 | 76 | 5.7-5.0 / 2.5 | TEFC | 5 | 82 | 122 | 122 | 65 |
| MXAXI-255 | 28474 | 48377 | 42 | 3 | 208-230 / 460 | 3 | 3.6 | 611 | 79 | 8.6-8.2 / 4.1 | TEFC | 5 | 93 | 122 | 122 | 65 |
| MXAXI-256 | 33693 | 57244 | 42 | 3 | 208-230 / 460 | 5 | 6 | 723 | 83 | 13.6-13.0 / 6.5 | TEFC | 5 | 103 | 122 | 122 | 65 |
| MXAXI-257 | 17349 | 29476 | 48 | 3 | 208-230 / 460 | 1/2 | 0.6 | 341 | 65 | 2.3-2.4 / 1.2 | TEFC | 6 | 70 | 142 | 142 | 65 |
| MXAXI-258 | 19995 | 33971 | 48 | 3 | 208-230 / 460 | 3/4 | 0.9 | 393 | 68 | 3.2-3.0 / 1.5 | TEFC | 6 | 70 | 142 | 142 | 65 |
| MXAXI-259 | 21827 | 37084 | 48 | 3 | 208-230 / 460 | 1 | 1.2 | 429 | 70 | 3.1-3.0 / 1.5 | TEFC | 6 | 74 | 142 | 142 | 65 |
| MXAXI-260 | 18171 | 30872 | 48 | 3 | 208-230 / 460 | 1/2 | 0.6 | 282 | 60 | 2.3-2.4 / 1.2 | TEFC | 5 | 70 | 142 | 142 | 65 |
| MXAXI-261 | 20877 | 35470 | 48 | 3 | 208-230 / 460 | 3/4 | 0.9 | 324 | 64 | 3.2-3.0 / 1.5 | TEFC | 5 | 70 | 142 | 142 | 65 |
| MXAXI-262 | 22875 | 38864 | 48 | 3 | 208-230 / 460 | 1 | 1.2 | 355 | 66 | 3.1-3.0 / 1.5 | TEFC | 5 | 74 | 142 | 142 | 65 |
| MXAXI-263 | 21827 | 37084 | 48 | 3 | 208-230 / 460 | 1 | 1.2 | 429 | 70 | 3.1-3.0 / 1.5 | TEFC | 6 | 89 | 142 | 142 | 65 |
| MXAXI-264 | 24981 | 42442 | 48 | 3 | 208-230 / 460 | 1 1/2 | 1.8 | 491 | 73 | 4.5-4.4 / 2.2 | TEFC | 6 | 91 | 142 | 142 | 65 |
| MXAXI-265 | 27474 | 46678 | 48 | 3 | 208-230 / 460 | 2 | 2.4 | 540 | 74 | 5.7-5.0 / 2.5 | TEFC | 6 | 94 | 142 | 142 | 65 |
| MXAXI-266 | 31442 | 53420 | 48 | 3 | 208-230 / 460 | 3 | 3.6 | 618 | 76 | 8.6-8.2 / 4.1 | TEFC | 6 | 106 | 142 | 142 | 65 |
| MXAXI-267 | 37344 | 63447 | 48 | 3 | 208-230 / 460 | 5 | 6 | 734 | 80 | 14.0-13.2 / 6.6 | TEFC | 6 | 116 | 142 | 142 | 65 |
| MXAXI-268 | 22875 | 38864 | 48 | 3 | 208-230 / 460 | 1 | 1.2 | 355 | 66 | 3.1-3.0 / 1.5 | TEFC | 5 | 89 | 142 | 142 | 65 |
| MXAXI-269 | 26226 | 44558 | 48 | 3 | 208-230 / 460 | 1 1/2 | 1.8 | 407 | 70 | 4.5-4.4 / 2.2 | TEFC | 5 | 91 | 142 | 142 | 65 |
| MXAXI-270 | 28868 | 49046 | 48 | 3 | 208-230 / 460 | 2 | 2.4 | 448 | 71 | 5.7-5.0 / 2.5 | TEFC | 5 | 94 | 142 | 142 | 65 |
| MXAXI-271 | 33056 | 56162 | 48 | 3 | 208-230 / 460 | 3 | 3.6 | 513 | 76 | 8.6-8.2 / 4.1 | TEFC | 5 | 106 | 142 | 142 | 65 |





Características Técnicas Específicas del Extractor Axial para Muro, ExtraAir.

| Clave | Caudal a Descarga Libre | | Ø Aspas Pulg. | Fase | V | HP | BHP | RPM | dBA | A | Tipo de Motor | Aspas | Dimensiones con Empaque en cm. | | | |
|-----------|-------------------------|-------|------------------|------|---------------|-------|------|-----|-----|-----------------|---------------|-------|--------------------------------|------|------|-------|
| | CFM | m³/hr | | | | | | | | | | | Peso Kg | Base | Alto | Ancho |
| MXAXI-272 | 39177 | 66562 | 48 | 3 | 208-230 / 460 | 5 | 6 | 608 | 89 | 13.6-13.0 / 6.5 | TEFC | 5 | 116 | 142 | 142 | 65 |
| MXAXI-273 | 23892 | 40592 | 54 | 3 | 208-230 / 460 | 3/4 | 0.9 | 272 | 63 | 3.2-3.0 / 1.5 | TEFC | 5 | 77 | 157 | 157 | 69 |
| MXAXI-274 | 26352 | 44772 | 54 | 3 | 208-230 / 460 | 1 | 1.2 | 300 | 65 | 3.1-3.0 / 1.5 | TEFC | 5 | 81 | 157 | 157 | 69 |
| MXAXI-275 | 30129 | 51189 | 54 | 3 | 208-230 / 460 | 1 1/2 | 1.8 | 343 | 67 | 4.5-4.4 / 2.2 | TEFC | 5 | 83 | 157 | 157 | 69 |
| MXAXI-276 | 30129 | 51189 | 54 | 3 | 208-230 / 460 | 1 1/2 | 1.74 | 343 | 67 | 4.5-4.4 / 2.2 | TEFC | 5 | 97 | 157 | 157 | 69 |
| MXAXI-277 | 33379 | 56711 | 54 | 3 | 208-230 / 460 | 2 | 2.46 | 380 | 70 | 6.6-5.8 / 2.9 | TEFC | 5 | 100 | 157 | 157 | 69 |
| MXAXI-278 | 38035 | 64621 | 54 | 3 | 208-230 / 460 | 3 | 3.56 | 433 | 74 | 8.6-8.2 / 4.1 | TEFC | 5 | 112 | 157 | 157 | 69 |
| MXAXI-279 | 44623 | 75814 | 54 | 3 | 208-230 / 460 | 5 | 5.97 | 508 | 80 | 14.0-13.2 / 6.6 | TEFC | 5 | 122 | 157 | 157 | 69 |

Presión Estática del Extractor Axial para Muro, ExtraAir. PCM en Pulg. Ca.

| Clave | PCM en Pulg. Ca. | | | | |
|-----------------|------------------|-------|-------|-------|------|
| | 0 0 | 1/8 | 1/4 | 3/8 | 1/2 |
| MXAXI-001 - 081 | 3581 | 3148 | 2649 | 1160 | 657 |
| MXAXI-002 - 082 | 3904 | 3517 | 2954 | 2037 | 1064 |
| MXAXI-003 - 083 | 4587 | 4277 | 3873 | 3333 | 2514 |
| MXAXI-004 - 084 | 4404 | 3672 | - | - | - |
| MXAXI-005 - 085 | 4844 | 4156 | - | - | - |
| MXAXI-006 - 086 | 5550 | 4919 | 4269 | - | - |
| MXAXI-007 - 087 | 4105 | 3445 | 2105 | 1133 | 444 |
| MXAXI-008 - 088 | 4586 | 4041 | 3179 | 1845 | 1108 |
| MXAXI-009 - 089 | 5281 | 4819 | 4193 | 3093 | 2108 |
| MXAXI-010 - 090 | 5569 | 4551 | - | - | - |
| MXAXI-011 - 091 | 6133 | 5256 | - | - | - |
| MXAXI-012 - 092 | 7025 | 6300 | 4939 | - | - |
| MXAXI-013 - 093 | 7598 | 6935 | 5948 | - | - |
| MXAXI-014 - 094 | 5518 | 4917 | 4251 | 3338 | 1239 |
| MXAXI-015 - 095 | 6317 | 5803 | 5244 | 4621 | 3734 |
| MXAXI-016 - 096 | 7229 | 6794 | 6301 | 5800 | 5243 |
| MXAXI-017 - 097 | 7958 | 7564 | 7126 | 6684 | 6208 |
| MXAXI-018 - 098 | 6970 | 5860 | - | - | - |
| MXAXI-019 - 099 | 7713 | 6763 | 5160 | - | - |
| MXAXI-020 - 100 | 9095 | 8284 | 7315 | - | - |
| MXAXI-021 - 101 | 10078 | 9342 | 8560 | 7424 | - |
| MXAXI-022 - 102 | 7860 | 5880 | - | - | - |
| MXAXI-023 - 103 | 8654 | 6970 | - | - | - |
| MXAXI-024 - 104 | 9895 | 8583 | - | - | - |
| MXAXI-025 - 105 | 11335 | 10253 | 8622 | - | - |
| MXAXI-026 - 106 | 11517 | 10456 | 8874 | - | - |
| MXAXI-027 - 107 | 11335 | 10253 | 8622 | - | - |
| MXAXI-028 - 108 | 12477 | 11519 | 10175 | - | - |
| MXAXI-029 - 109 | 14297 | 13489 | 12522 | 11132 | - |
| MXAXI-030 - 110 | 10572 | 8290 | - | - | - |
| MXAXI-031 - 111 | 12220 | 10328 | - | - | - |
| MXAXI-032 - 112 | 13802 | 12156 | 10205 | - | - |
| MXAXI-033 - 113 | 15253 | 13798 | 12111 | 9875 | - |
| MXAXI-034 - 114 | 11078 | 8018 | - | - | - |
| MXAXI-035 - 115 | 12636 | 10290 | - | - | - |





Presión Estática del Extractor Axial para Muro, ExtraAir. en Pulg. Ca.

| Clave | 0 0 | 1/8 | 1/4 | 3/8 | 1/2 |
|-----------------|-------|-------|-------|-------|-------|
| MXAXI-036 - 116 | 14425 | 12435 | 8915 | - | - |
| MXAXI-037 - 117 | 15896 | 14149 | 11731 | - | - |
| MXAXI-038 - 118 | 15867 | 14113 | 11682 | - | - |
| MXAXI-039 - 119 | 18204 | 16759 | 14959 | 12176 | - |
| MXAXI-040 - 120 | 3581 | 3148 | 2649 | 1160 | 657 |
| MXAXI-041 - 121 | 3904 | 3517 | 2954 | 2037 | 1064 |
| MXAXI-042 - 122 | 4587 | 4277 | 3873 | 3333 | 2514 |
| MXAXI-043 - 123 | 4404 | 3672 | - | - | - |
| MXAXI-044 - 124 | 4844 | 4156 | - | - | - |
| MXAXI-045 - 125 | 5550 | 4919 | 4269 | - | - |
| MXAXI-046 - 126 | 4105 | 3445 | 2105 | 1133 | 444 |
| MXAXI-047 - 127 | 4586 | 4041 | 3179 | 1845 | 1108 |
| MXAXI-048 - 128 | 5281 | 4819 | 4193 | 3093 | 2108 |
| MXAXI-049 - 129 | 5569 | 4551 | - | - | - |
| MXAXI-050 - 130 | 6133 | 5256 | - | - | - |
| MXAXI-051 - 131 | 7025 | 6300 | 4939 | - | - |
| MXAXI-052 - 132 | 7598 | 6935 | 5948 | - | - |
| MXAXI-053 - 133 | 5518 | 4917 | 4251 | 3338 | 1239 |
| MXAXI-054 - 134 | 6317 | 5803 | 5244 | 4621 | 3734 |
| MXAXI-055 - 135 | 7229 | 6794 | 6301 | 5800 | 5243 |
| MXAXI-056 - 136 | 7958 | 7564 | 7126 | 6684 | 6208 |
| MXAXI-057 - 137 | 6970 | 5860 | - | - | - |
| MXAXI-058 - 138 | 7713 | 6763 | 5160 | - | - |
| MXAXI-059 - 139 | 9095 | 8284 | 7315 | - | - |
| MXAXI-060 - 140 | 10078 | 9342 | 8560 | 7424 | - |
| MXAXI-061 - 141 | 7860 | 5880 | - | - | - |
| MXAXI-062 - 142 | 8654 | 6970 | - | - | - |
| MXAXI-063 - 143 | 9895 | 8583 | - | - | - |
| MXAXI-064 - 144 | 11335 | 10253 | 8622 | - | - |
| MXAXI-065 - 145 | 11517 | 10456 | 8874 | - | - |
| MXAXI-066 - 146 | 11335 | 10253 | 8622 | - | - |
| MXAXI-067 - 147 | 12477 | 11519 | 10175 | - | - |
| MXAXI-068 - 148 | 14297 | 13489 | 12522 | 11132 | - |
| MXAXI-069 - 149 | 15720 | 14985 | 14152 | 13039 | 11760 |
| MXAXI-070 - 150 | 10572 | 8290 | - | - | - |
| MXAXI-071 - 151 | 12220 | 10328 | - | - | - |
| MXAXI-072 - 152 | 13802 | 12156 | 10205 | - | - |
| MXAXI-073 - 153 | 15253 | 13798 | 12111 | 9875 | - |
| MXAXI-074 - 154 | 11078 | 8018 | - | - | - |
| MXAXI-075 - 155 | 12636 | 10290 | - | - | - |
| MXAXI-076 - 156 | 14425 | 12435 | 8915 | - | - |
| MXAXI-077 - 157 | 15896 | 14149 | 11731 | - | - |
| MXAXI-078 - 158 | 15867 | 14113 | 11682 | - | - |
| MXAXI-079 - 159 | 18204 | 16759 | 14959 | 12176 | - |
| MXAXI-080 - 160 | 19993 | 18744 | 17106 | 15154 | - |
| MXAXI-161 - 221 | 12744 | 9283 | - | - | - |
| MXAXI-162 - 222 | 14712 | 11980 | - | - | - |
| MXAXI-163 - 223 | 16646 | 14327 | 10507 | - | - |
| MXAXI-164 - 224 | 18408 | 16388 | 13752 | - | - |
| MXAXI-165 - 225 | 13701 | 7074 | - | - | - |
| MXAXI-166 - 226 | 15612 | 11671 | - | - | - |
| MXAXI-167 - 227 | 17942 | 14451 | - | - | - |
| MXAXI-168 - 228 | 19759 | 16705 | 11098 | - | - |
| MXAXI-169 - 229 | 19759 | 16705 | 11098 | - | - |
| MXAXI-170 - 230 | 22555 | 20064 | 17086 | - | - |
| MXAXI-171 - 231 | 17349 | 13047 | - | - | - |
| MXAXI-172 - 232 | 19995 | 16655 | - | - | - |





Presión Estática del Extractor Axial para Muro, ExtraAir. en Pulg. Ca.

| Clave | 0 0 | 1/8 | 1/4 | 3/8 | 1/2 |
|-----------------|-------|-------|-------|-------|-------|
| MXAXI-173 - 233 | 21827 | 18907 | 13506 | - | - |
| MXAXI-174 - 234 | 18171 | 11902 | - | - | - |
| MXAXI-175 - 235 | 20877 | 16601 | - | - | - |
| MXAXI-176 - 236 | 22875 | 19220 | - | - | - |
| MXAXI-177 - 237 | 21827 | 18907 | 13506 | - | - |
| MXAXI - 178 | 24981 | 22460 | 19129 | - | - |
| MXAXI-179 - 238 | 22875 | 19220 | - | - | - |
| MXAXI-180 - 239 | 26226 | 23203 | 17923 | - | - |
| MXAXI-181 - 240 | 23892 | 17418 | - | - | - |
| MXAXI-182 - 241 | 26352 | 21155 | 8356 | - | - |
| MXAXI-183 - 242 | 30129 | 26014 | 1653 | - | - |
| MXAXI-184 - 243 | 30129 | 26014 | - | - | - |
| MXAXI-185 - 244 | 12744 | 9283 | - | - | - |
| MXAXI-186 - 245 | 14712 | 11980 | - | - | - |
| MXAXI-187 - 246 | 16646 | 14327 | 10507 | - | - |
| MXAXI-188 - 247 | 18408 | 16388 | 13752 | - | - |
| MXAXI-189 - 248 | 13701 | 7074 | - | - | - |
| MXAXI-190 - 249 | 15612 | 11671 | - | - | - |
| MXAXI-191 - 250 | 17942 | 14451 | - | - | - |
| MXAXI-192 - 251 | 19759 | 16705 | 11098 | - | - |
| MXAXI-193 - 252 | 19759 | 16705 | 11098 | - | - |
| MXAXI-194 - 253 | 22555 | 20064 | 17086 | - | - |
| MXAXI-195 - 254 | 24792 | 22560 | 19757 | 16579 | - |
| MXAXI-196 - 255 | 28474 | 26586 | 24279 | 21952 | 18527 |
| MXAXI-197 - 256 | 33693 | 32120 | 30386 | 28275 | 26322 |
| MXAXI-198 - 257 | 17349 | 13047 | - | - | - |
| MXAXI-199 - 258 | 19995 | 16655 | - | - | - |
| MXAXI-200 - 259 | 21827 | 18907 | 13506 | - | - |
| MXAXI-201 - 260 | 18171 | 11902 | - | - | - |
| MXAXI-202 - 261 | 20877 | 16601 | - | - | - |
| MXAXI-203 - 262 | 22875 | 19220 | - | - | - |
| MXAXI-204 - 263 | 21827 | 18907 | 13506 | - | - |
| MXAXI-205 - 264 | 24981 | 22460 | 19129 | - | - |
| MXAXI-206 - 265 | 27474 | 25206 | 22529 | 18065 | - |
| MXAXI-207 - 266 | 31442 | 29484 | 27395 | 24703 | 20285 |
| MXAXI-208 - 267 | 37344 | 35695 | 33991 | 32220 | 29911 |
| MXAXI-209 - 268 | 22875 | 19220 | - | - | - |
| MXAXI-210 - 269 | 26226 | 23203 | 17923 | - | - |
| MXAXI-211 - 270 | 28868 | 26154 | 22469 | - | - |
| MXAXI-212 - 271 | 33056 | 30735 | 28043 | 23721 | - |
| MXAXI-213 - 272 | 39177 | 37271 | 35157 | 32745 | 29209 |
| MXAXI-214 - 273 | 23892 | 17418 | - | - | - |
| MXAXI-215 - 274 | 26352 | 21155 | 8356 | - | - |
| MXAXI-216 - 275 | 30129 | 26014 | 1653 | - | - |
| MXAXI-217 - 276 | 30129 | 26014 | - | - | - |
| MXAXI-218 - 277 | 33379 | 29680 | 23826 | - | - |
| MXAXI-219 - 278 | 38035 | 34789 | 30926 | - | - |
| MXAXI-220 - 279 | 44623 | 41857 | 39088 | 35194 | 28363 |





Dimensiones Específicas del Extractor Axial para Muro, ExtraAir. mm.

| Clave | A | B | C | D | E |
|-----------------|------|-----|-----|----|-----|
| MXAXI-001 - 081 | 609 | 495 | 412 | 25 | 520 |
| MXAXI-002 - 082 | 609 | 495 | 412 | 25 | 520 |
| MXAXI-003 - 083 | 609 | 495 | 412 | 25 | 520 |
| MXAXI-004 - 084 | 609 | 495 | 412 | 25 | 520 |
| MXAXI-005 - 085 | 609 | 495 | 412 | 25 | 520 |
| MXAXI-006 - 086 | 609 | 495 | 412 | 25 | 520 |
| MXAXI-007 - 087 | 711 | 457 | 346 | 25 | 619 |
| MXAXI-008 - 088 | 711 | 457 | 346 | 25 | 619 |
| MXAXI-009 - 089 | 711 | 457 | 346 | 25 | 619 |
| MXAXI-010 - 090 | 711 | 457 | 346 | 31 | 619 |
| MXAXI-011 - 091 | 711 | 457 | 346 | 31 | 619 |
| MXAXI-012 - 092 | 711 | 457 | 346 | 31 | 619 |
| MXAXI-013 - 093 | 711 | 457 | 346 | 31 | 619 |
| MXAXI-014 - 094 | 711 | 457 | 346 | 31 | 619 |
| MXAXI-015 - 095 | 711 | 457 | 346 | 31 | 619 |
| MXAXI-016 - 096 | 711 | 457 | 346 | 31 | 619 |
| MXAXI-017 - 097 | 711 | 457 | 346 | 31 | 619 |
| MXAXI-018 - 098 | 863 | 546 | 412 | 25 | 771 |
| MXAXI-019 - 099 | 863 | 546 | 412 | 25 | 771 |
| MXAXI-020 - 100 | 863 | 546 | 412 | 25 | 771 |
| MXAXI-021 - 101 | 863 | 546 | 412 | 25 | 771 |
| MXAXI-022 - 102 | 863 | 508 | 374 | 31 | 771 |
| MXAXI-023 - 103 | 863 | 508 | 374 | 31 | 771 |
| MXAXI-024 - 104 | 863 | 508 | 374 | 31 | 771 |
| MXAXI-025 - 105 | 863 | 508 | 374 | 31 | 771 |
| MXAXI-026 - 106 | 863 | 508 | 374 | 31 | 771 |
| MXAXI-027 - 107 | 863 | 508 | 374 | 31 | 771 |
| MXAXI-028 - 108 | 863 | 508 | 374 | 31 | 771 |
| MXAXI-029 - 109 | 863 | 508 | 374 | 31 | 771 |
| MXAXI-030 - 110 | 1016 | 558 | 406 | 25 | 923 |
| MXAXI-031 - 111 | 1016 | 558 | 406 | 25 | 923 |
| MXAXI-032 - 112 | 1016 | 558 | 406 | 25 | 923 |
| MXAXI-033 - 113 | 1016 | 558 | 406 | 25 | 923 |
| MXAXI-034 - 114 | 1016 | 558 | 406 | 25 | 923 |
| MXAXI-035 - 115 | 1016 | 558 | 406 | 25 | 923 |
| MXAXI-036 - 116 | 1016 | 558 | 406 | 25 | 923 |
| MXAXI-037 - 117 | 1016 | 558 | 406 | 25 | 923 |
| MXAXI-038 - 118 | 1016 | 558 | 406 | 25 | 923 |
| MXAXI-039 - 119 | 1016 | 558 | 406 | 25 | 923 |
| MXAXI-040 - 120 | 609 | 495 | 412 | 25 | 520 |
| MXAXI-041 - 121 | 609 | 495 | 412 | 25 | 520 |
| MXAXI-042 - 122 | 609 | 495 | 412 | 25 | 520 |
| MXAXI-043 - 123 | 609 | 495 | 412 | 25 | 520 |
| MXAXI-044 - 124 | 609 | 495 | 412 | 25 | 520 |
| MXAXI-045 - 125 | 609 | 495 | 412 | 25 | 520 |
| MXAXI-046 - 126 | 711 | 457 | 346 | 25 | 619 |
| MXAXI-047 - 127 | 711 | 457 | 346 | 25 | 619 |
| MXAXI-048 - 128 | 711 | 457 | 346 | 25 | 619 |
| MXAXI-049 - 129 | 711 | 457 | 346 | 31 | 619 |
| MXAXI-050 - 130 | 711 | 457 | 346 | 31 | 619 |
| MXAXI-051 - 131 | 711 | 457 | 346 | 31 | 619 |
| MXAXI-052 - 132 | 711 | 457 | 346 | 31 | 619 |
| MXAXI-053 - 133 | 711 | 457 | 346 | 31 | 619 |
| MXAXI-054 - 134 | 711 | 457 | 346 | 31 | 619 |
| MXAXI-055 - 135 | 711 | 457 | 346 | 31 | 619 |
| MXAXI-056 - 136 | 711 | 457 | 346 | 31 | 619 |
| MXAXI-057 - 137 | 863 | 546 | 412 | 25 | 771 |
| MXAXI-058 - 138 | 863 | 546 | 412 | 25 | 771 |





Dimensiones Específicas del Extractor Axial para Muro, ExtraAir. mm.

| Clave | A | B | C | D | E |
|-----------------|------|-----|-----|----|------|
| MXAXI-059 - 139 | 863 | 546 | 412 | 25 | 771 |
| MXAXI-060 - 140 | 863 | 546 | 412 | 25 | 771 |
| MXAXI-061 - 141 | 863 | 508 | 374 | 31 | 771 |
| MXAXI-062 - 142 | 863 | 508 | 374 | 31 | 771 |
| MXAXI-063 - 143 | 863 | 508 | 374 | 31 | 771 |
| MXAXI-064 - 144 | 863 | 508 | 374 | 31 | 771 |
| MXAXI-065 - 145 | 863 | 508 | 374 | 31 | 771 |
| MXAXI-066 - 146 | 863 | 508 | 374 | 31 | 771 |
| MXAXI-067 - 147 | 863 | 508 | 374 | 31 | 771 |
| MXAXI-068 - 148 | 863 | 508 | 374 | 31 | 771 |
| MXAXI-069 - 149 | 863 | 508 | 374 | 31 | 771 |
| MXAXI-070 - 150 | 1016 | 558 | 406 | 25 | 923 |
| MXAXI-071 - 151 | 1016 | 558 | 406 | 25 | 923 |
| MXAXI-072 - 152 | 1016 | 558 | 406 | 25 | 923 |
| MXAXI-073 - 153 | 1016 | 558 | 406 | 25 | 923 |
| MXAXI-074 - 154 | 1016 | 558 | 406 | 25 | 923 |
| MXAXI-075 - 155 | 1016 | 558 | 406 | 25 | 923 |
| MXAXI-076 - 156 | 1016 | 558 | 406 | 25 | 923 |
| MXAXI-077 - 157 | 1016 | 558 | 406 | 25 | 923 |
| MXAXI-078 - 158 | 1016 | 558 | 406 | 25 | 923 |
| MXAXI-079 - 159 | 1016 | 558 | 406 | 25 | 923 |
| MXAXI-080 - 160 | 1016 | 558 | 406 | 25 | 923 |
| MXAXI-161 - 221 | 1168 | 596 | 444 | 50 | 1079 |
| MXAXI-162 - 222 | 1168 | 596 | 444 | 50 | 1079 |
| MXAXI-163 - 223 | 1168 | 596 | 444 | 50 | 1079 |
| MXAXI-164 - 224 | 1168 | 596 | 444 | 50 | 1079 |
| MXAXI-165 - 225 | 1168 | 596 | 444 | 50 | 1079 |
| MXAXI-166 - 226 | 1168 | 596 | 444 | 50 | 1079 |
| MXAXI-167 - 227 | 1168 | 596 | 444 | 50 | 1079 |
| MXAXI-168 - 228 | 1168 | 596 | 444 | 50 | 1079 |
| MXAXI-169 - 229 | 1168 | 596 | 444 | 50 | 1079 |
| MXAXI-170 - 230 | 1168 | 596 | 444 | 50 | 1079 |
| MXAXI-171 - 231 | 1371 | 596 | 419 | 50 | 1231 |
| MXAXI-172 - 232 | 1371 | 596 | 419 | 50 | 1231 |
| MXAXI-173 - 233 | 1371 | 596 | 419 | 50 | 1231 |
| MXAXI-174 - 234 | 1371 | 596 | 419 | 50 | 1231 |
| MXAXI-175 - 235 | 1371 | 596 | 419 | 50 | 1231 |
| MXAXI-176 - 236 | 1371 | 596 | 419 | 50 | 1231 |
| MXAXI-177 - 237 | 1371 | 596 | 419 | 50 | 1231 |
| MXAXI-178 | 1371 | 596 | 419 | 50 | 1231 |
| MXAXI-179 - 238 | 1371 | 596 | 419 | 50 | 1231 |
| MXAXI-180 - 239 | 1371 | 596 | 419 | 50 | 1231 |
| MXAXI-181 - 240 | 1524 | 635 | 419 | 50 | 1397 |
| MXAXI-182 - 241 | 1524 | 635 | 419 | 50 | 1397 |
| MXAXI-183 - 242 | 1524 | 635 | 419 | 50 | 1397 |
| MXAXI-184 - 243 | 1524 | 635 | 419 | 50 | 1397 |
| MXAXI-185 - 244 | 1168 | 596 | 444 | 50 | 1079 |
| MXAXI-186 - 245 | 1168 | 596 | 444 | 50 | 1079 |
| MXAXI-187 - 246 | 1168 | 596 | 444 | 50 | 1079 |
| MXAXI-188 - 247 | 1168 | 596 | 444 | 50 | 1079 |
| MXAXI-189 - 248 | 1168 | 596 | 444 | 50 | 1079 |
| MXAXI-190 - 249 | 1168 | 596 | 444 | 50 | 1079 |
| MXAXI-191 - 250 | 1168 | 596 | 444 | 50 | 1079 |
| MXAXI-192 - 251 | 1168 | 596 | 444 | 50 | 1079 |
| MXAXI-193 - 252 | 1168 | 596 | 444 | 50 | 1079 |
| MXAXI-194 - 253 | 1168 | 596 | 444 | 50 | 1079 |
| MXAXI-195 - 254 | 1168 | 596 | 444 | 50 | 1079 |
| MXAXI-196 - 255 | 1168 | 596 | 444 | 50 | 1079 |





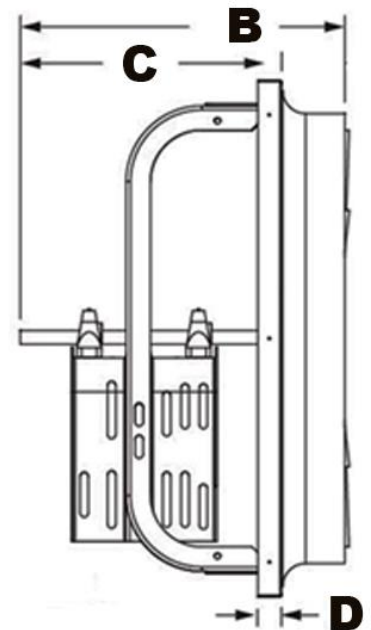
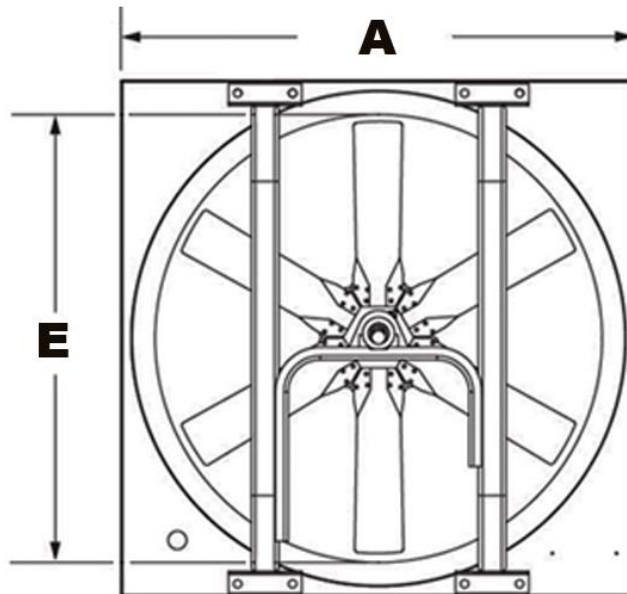
ExtraAir

Dimensiones Especificas del Extractor Axial para Muro, ExtraAir. mm.

| Clave | A | B | C | D | E |
|-----------------|------|-----|-----|----|------|
| MXAXI-197 - 256 | 1168 | 596 | 444 | 50 | 1079 |
| MXAXI-198 - 257 | 1371 | 596 | 419 | 50 | 1231 |
| MXAXI-199 - 258 | 1371 | 596 | 419 | 50 | 1231 |
| MXAXI-200 - 259 | 1371 | 596 | 419 | 50 | 1231 |
| MXAXI-201 - 260 | 1371 | 596 | 419 | 50 | 1231 |
| MXAXI-202 - 261 | 1371 | 596 | 419 | 50 | 1231 |
| MXAXI-203 - 262 | 1371 | 596 | 419 | 50 | 1231 |
| MXAXI-204 - 263 | 1371 | 596 | 419 | 50 | 1231 |
| MXAXI-205 - 264 | 1371 | 596 | 419 | 50 | 1231 |
| MXAXI-206 - 265 | 1371 | 596 | 419 | 50 | 1231 |
| MXAXI-207 - 266 | 1371 | 596 | 419 | 50 | 1231 |
| MXAXI-208 - 267 | 1371 | 596 | 419 | 50 | 1231 |
| MXAXI-209 - 268 | 1371 | 596 | 419 | 50 | 1231 |
| MXAXI-210 - 269 | 1371 | 596 | 419 | 50 | 1231 |
| MXAXI-211 - 270 | 1371 | 596 | 419 | 50 | 1231 |
| MXAXI-212 - 271 | 1371 | 596 | 419 | 50 | 1231 |
| MXAXI-213 - 272 | 1371 | 596 | 419 | 50 | 1231 |
| MXAXI-214 - 273 | 1524 | 635 | 419 | 50 | 1397 |
| MXAXI-215 - 274 | 1524 | 635 | 419 | 50 | 1397 |
| MXAXI-216 - 275 | 1524 | 635 | 419 | 50 | 1397 |
| MXAXI-217 - 276 | 1524 | 635 | 419 | 50 | 1397 |
| MXAXI-218 - 277 | 1524 | 635 | 419 | 50 | 1397 |
| MXAXI-219 - 278 | 1524 | 635 | 419 | 50 | 1397 |
| MXAXI-220 - 279 | 1524 | 635 | 419 | 50 | 1397 |

Dimensiones Especificas del Extractor Axial para Muro, ExtraAir.

| Dimensiones Claves |
|---|
| MXAXI-001 - 002, 003, 007, 008, 009, 018, 019, 020, 021, 030, 031, 032, 033, 040, 041, 042, 046, 047, 048, 057, 058, 059, 060, 070, 071, 072, 073, 081, 082, 083, 087, 088, 089, 098, 099, 100, 101, 110, 111, 112, 113, 120, 121, 122, 126, 127, 128, 137, 138, 139, 140, 150, 151, 152 Y 153. |
| MXAXI-161 - 162, 163, 164, 171, 172, 173, 179, 180, 185, 186, 187, 188, 198, 199, 200, 221, 222, 223, 224, 231, 232, 233, 237, 244, 245, 246, 247, 257, 258, 259, 265, 264, 265, 266 Y 267. |

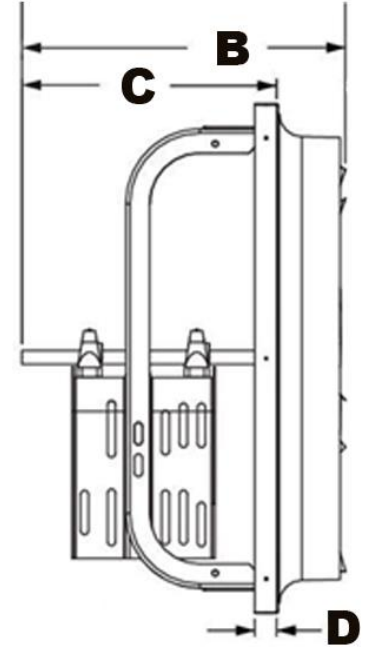
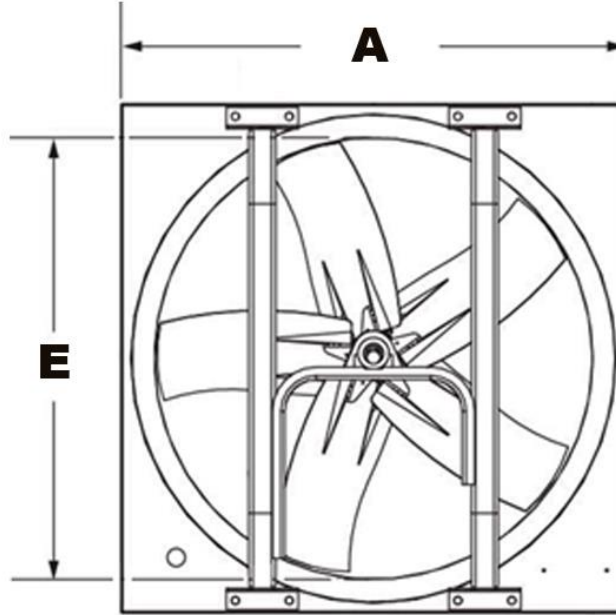




ExtraAir

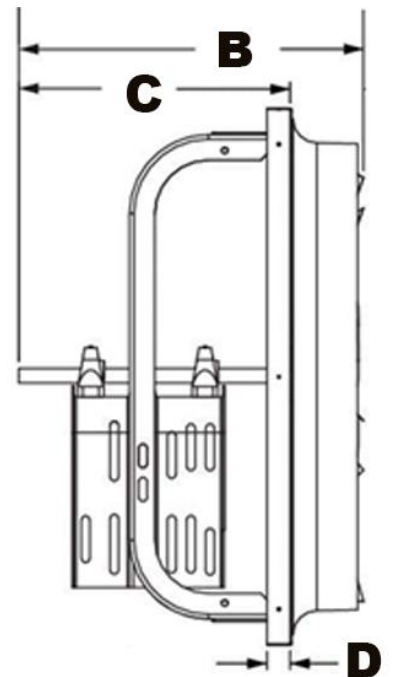
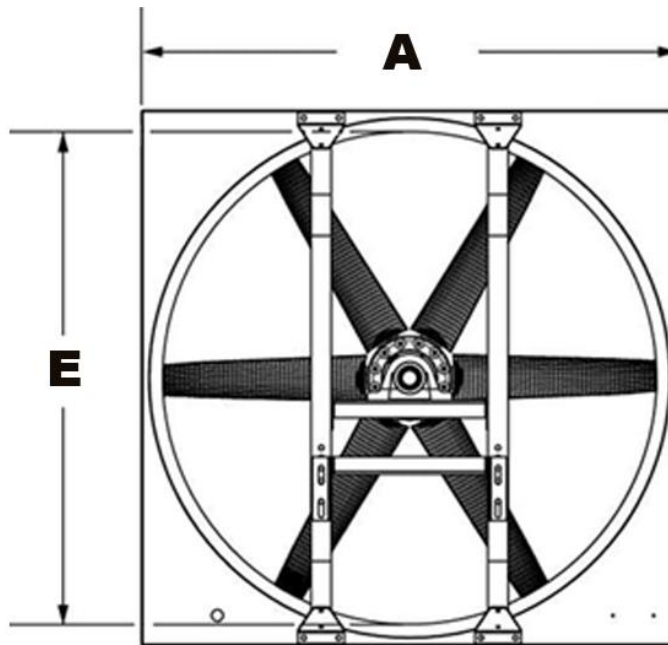
Dimensiones Especificas del Extractor Axial para Muro, ExtraAir.

| Dimensiones Claves |
|--|
| MXAXI-004 - 005, 006, 010, 011, 012, 013, 022, 023, 024, 025, 026, 027, 028, 029, 034, 035, 036, 037, 038, 039, 043, 044, 045, 049, 050, 051, 052, 061, 062, 063, 064, 065, 066, 067, 068, 069, 074, 075, 076, 077, 078, 079, 080, 084, 085, 086, 090, 091, 092, 093, 102, 103, 104, 105, 106, 107, 108, 109, 114, 115, 116, 117, 118, 119, 123, 124, 125, 129, 130, 131, 132, 141, 142, 143, 144, 145, 146, 147, 148, 149, 154, 155, 156, 157, 158, 159 Y 160. |
| MXAXI-165 - 166, 167, 168, 169, 170, 174, 175, 176, 181, 182, 183, 184, 187, 190, 191, 192, 193, 194, 195, 196, 201, 202, 203, 209, 210, 211, 212, 213, 214, 215, 216, 217, 218, 219, 220, 225, 226, 227, 228, 229, 230, 234, 235, 236, 238, 239, 240, 241, 242, 243, 248, 249, 250, 251, 252, 253, 254, 255, 256, 260, 261, 262, 268, 269, 270, 271, 272, 273, 274, 275, 276, 277, 278 Y 279. |



Dimensiones Especificas del Extractor Axial para Muro, ExtraAir.

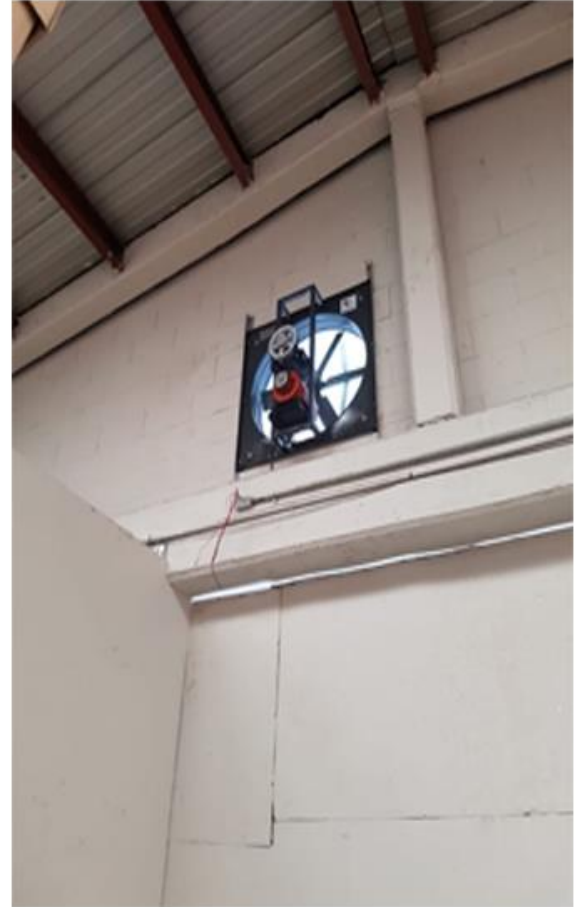
| Dimensiones Clave |
|--|
| MXAXI-014 - 015, 016, 017, 053, 054, 055, 056, 094, 095, 096, 097, 133, 134, 135 Y 136. |





ExtraAir

Galería del Extractor Axial para Muro, ExtraAir.



| Versión de Corrección | Nombre del Autor | Descripción del Error | Descripción de la Corrección | Vo. Bo. Supervisor |
|-----------------------|------------------|-----------------------|------------------------------|--------------------|
| V1 | Jessica Lorenzo | Nueva Ficha | Ninguna | Antonio García |

