

Características Generales

- ▶ Esta serie de TurboCentrífugos CentriRoof VentDepot, proporciona gran eficiencia y reduce sus niveles sonoros.
- ▶ Ventilación forzada durante la operación para enfriar el motor.
- ▶ Cubierta superior y base-embocadura fabricadas en aluminio de alta resistencia.
- ▶ Tacones antivibratorios, en el ensamble de base del motor para reducir el nivel sonoro.
- ▶ Malla de protección para impedir la entrada de objetos extraños.
- ▶ Motor con transmisión de polea y banda.
- ▶ Diseñado con normas internacionales y aprobado por la I.V.S. (Industrial Ventilation Society).

Aplicaciones

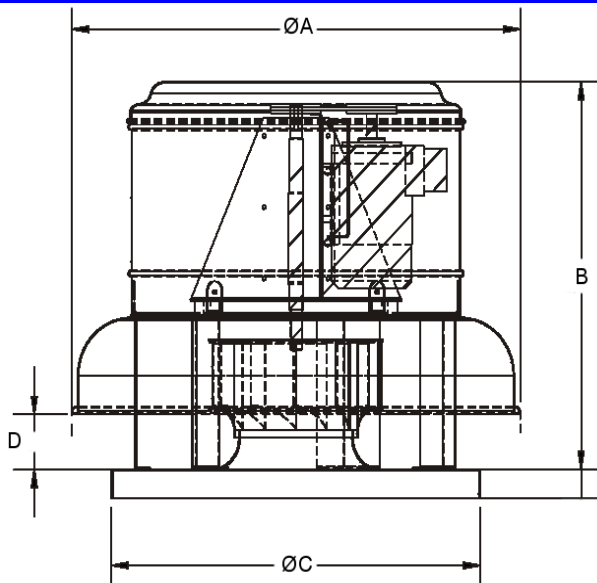
- ▶ Para extracción de aire limpio.
- ▶ Para uso en: Hornos de secado, procesos industriales, calderas, hornos alimenticios, campanas industriales con filtros, etc.

Garantía

- ▶ 1 (un) año de garantía certificado por escrito, sujeto a las cláusulas.



Dimensiones (mm)



Clave	ØA	B	ØC
MXCER-(001 AL 022)	659	638	530
MXCER-(023 AL 044)	749	742	610
MXCER-(067 AL 088)	906	861	710
MXCER-(089 AL 110)	906	944	710
MXCER-(111 AL 132)	1190	1043	914
MXCER-(133 AL 154)	1190	1081	914
MXCER-(155 AL 176)	1304	1108	1016
MXCER-(177 AL 198)	1304	1113	1016
MXCER-(199 AL 220)	1520	1202	1150
MXCER-(201 AL 242)	1520	1249	1150

Características Generales

Clave	Caudal a descarga libre		HP	Ø Rotor pulg	RPM	Amperaje			BHP	Nivel Sonoro dB	Peso y dimensiones con empaque de madera	
	CFM	m3/hr				127V	220V	440V			kg	cm
MXCER-001	806	1370	1/4	10	850	2.8	---	---	0.03	51	45	710x690x580
MXCER-002	853	1450	1/4	10	900	2.8	---	---	0.03	52	45	710x690x580
MXCER-003	900	1530	1/4	10	950	2.8	---	---	0.04	53	45	710x690x580
MXCER-004	947	1610	1/4	10	1000	2.8	---	---	0.05	54	45	710x690x580
MXCER-005	984	1674	1/4	10	1040	2.8	---	---	0.05	55	45	710x690x580
MXCER-006	1031	1754	1/4	10	1090	2.8	---	---	0.06	55	45	710x690x580
MXCER-007	1078	1834	1/4	10	1140	2.8	---	---	0.07	56	45	710x690x580
MXCER-008	1102	1874	1/4	10	1185	2.8	---	---	0.08	57	45	710x690x580
MXCER-009	1163	1978	1/4	10	1230	2.8	---	---	0.09	58	45	710x690x580
MXCER-010	1210	2058	1/4	10	1280	2.8	---	---	0.1	59	45	710x690x580
MXCER-011	1257	2138	1/4	10	1330	2.8	---	---	0.13	60	45	710x690x580
MXCER-012	1299	2210	1/4	10	1375	2.8	---	---	0.14	60	45	710x690x580
MXCER-013	1342	2282	1/4	10	1420	2.8	---	---	0.15	61	45	710x690x580
MXCER-014	1384	2354	1/4	10	1465	2.8	---	---	0.16	62	45	710x690x580
MXCER-015	1426	2426	1/4	10	1510	2.8	---	---	0.18	62	45	710x690x580
MXCER-016	1469	2498	1/4	10	1555	2.8	---	---	0.2	63	45	710x690x580
MXCER-017	1516	2578	1/3	10	1605	3.5	---	---	0.23	63	45	710x690x580
MXCER-018	1563	2658	1/3	10	1655	3.5	---	---	0.25	64	45	710x690x580
MXCER-019	1601	2722	1/3	10	1695	3.5	---	---	0.27	65	45	710x690x580
MXCER-020	1643	2794	1/3	10	1740	3.5	---	---	0.29	65	45	710x690x580
MXCER-021	1681	2858	1/2	10	1780	5.8	---	---	0.31	66	45	710x690x580
MXCER-022	1718	2922	1/2	10	1820	5.8	---	---	0.33	67	45	710x690x580
MXCER-023	773	1315	1/4	12	565	2.8	---	---	0.01	48	45	780x790x680
MXCER-024	835	1420	1/4	12	610	2.8	---	---	0.18	49	45	780x790x680
MXCER-025	897	1525	1/4	12	655	2.8	---	---	0.02	50	45	780x790x680
MXCER-026	958	1630	1/4	12	700	2.8	---	---	0.02	52	45	780x790x680
MXCER-027	1020	1734	1/4	12	745	2.8	---	---	0.03	53	45	780x790x680
MXCER-028	1081	1839	1/4	12	790	2.8	---	---	0.04	54	45	780x790x680
MXCER-029	1143	1944	1/4	12	835	2.8	---	---	0.04	55	45	780x790x680
MXCER-030	1204	2048	1/4	12	880	2.8	---	---	0.05	56	45	780x790x680
MXCER-031	1272	2164	1/4	12	930	2.8	---	---	0.06	57	45	780x790x680
MXCER-032	1327	2257	1/4	12	970	2.8	---	---	0.07	58	45	780x790x680
MXCER-033	1389	2362	1/4	12	1015	2.8	---	---	0.08	59	45	780x790x680
MXCER-034	1451	2467	1/4	12	1060	2.8	---	---	0.1	60	45	780x790x680
MXCER-035	1512	2572	1/4	12	1105	2.8	---	---	0.11	61	45	780x790x680
MXCER-036	1573	2676	1/4	12	1150	2.8	---	---	0.12	62	45	780x790x680
MXCER-037	1635	2781	1/4	12	1195	2.8	---	---	0.14	63	45	780x790x680
MXCER-038	1697	2886	1/4	12	1240	2.8	---	---	0.15	64	45	780x790x680
MXCER-039	1758	2990	1/3	12	1285	3.5	---	---	0.17	65	45	780x790x680
MXCER-040	1820	3095	1/3	12	1330	3.5	---	---	0.19	66	45	780x790x680
MXCER-041	1882	3200	1/3	12	1375	3.5	---	---	0.21	67	45	780x790x680
MXCER-042	1943	3304	1/3	12	1420	3.5	---	---	0.23	68	45	780x790x680

Características Generales												
Clave	Caudal a descarga libre		HP	Ø Rotor pulg	RPM	Amperaje			BHP	Nivel Sonoro dB	Peso y dimensiones con empaque de madera	
	CFM	m3/hr				127V	220V	440V			kg	cm
MXCER-043	2004	3409	1/2	12	1465	5.8	---	---	0.25	68	45	780x790x680
MXCER-044	2066	3514	1/2	12	1510	5.8	---	---	0.28	69	45	780x790x680
MXCER-067	1941	3301	1/4	18	500	2.8	---	---	0.06	52	65	956x795x660
MXCER-068	2117	3600	1/4	18	545	2.8	---	---	0.08	53	65	956x795x660
MXCER-069	2311	3930	1/4	18	595	2.8	---	---	0.12	55	65	956x795x660
MXCER-070	2485	4227	1/4	18	640	2.8	---	---	0.15	56	65	956x795x660
MXCER-071	2680	4557	1/4	18	690	2.8	---	---	0.19	58	65	956x795x660
MXCER-072	2855	4855	1/4	18	735	2.8	---	---	0.23	59	65	956x795x660
MXCER-073	3009	5118	1/3	18	775	3.5	---	---	0.27	61	65	956x795x660
MXCER-074	3165	5382	1/3	18	815	3.5	---	---	0.31	62	65	956x795x660
MXCER-075	3339	5678	1/2	18	860	5.8	---	---	0.36	64	65	956x795x660
MXCER-076	3512	5973	1/2	18	905	5.8	---	---	0.42	65	65	956x795x660
MXCER-077	3667	6237	1/2	18	945	5.8	---	---	0.48	67	65	956x795x660
MXCER-078	3900	6633	3/4	18	1005	---	3	1.5	0.58	70	65	956x795x660
MXCER-079	4114	6997	3/4	18	1060	---	3	1.5	0.68	71	65	956x795x660
MXCER-080	4308	7327	1	18	1110	---	3.6	1.8	0.78	71	65	956x795x660
MXCER-081	4444	7558	1	18	1045	---	3.6	1.8	0.85	72	65	956x795x660
MXCER-082	4619	7855	1	18	1190	---	3.6	1.8	0.95	73	65	956x795x660
MXCER-083	4813	8185	1 ½	18	1240	---	4.6	2.3	1.07	74	65	956x795x660
MXCER-084	5007	8515	1 ½	18	1290	---	4.6	2.3	1.2	74	65	956x795x660
MXCER-085	5201	8845	1 ½	18	1340	---	4.6	2.3	1.34	75	65	956x795x660
MXCER-086	5356	9108	2	18	1380	---	5.8	2.9	1.43	76	65	956x795x660
MXCER-087	5531	9406	2	18	1425	---	5.8	2.9	1.57	77	65	956x795x660
MXCER-088	5685	9669	2	18	1465	---	5.8	2.9	1.71	77	65	956x795x660
MXCER-089	2488	4232	1/4	20	450	2.8	---	---	0.1	57	66	956x795x760
MXCER-090	2765	4702	1/4	20	500	2.8	---	---	0.14	58	66	956x795x760
MXCER-091	2986	5078	1/4	20	540	2.8	---	---	0.18	59	66	956x795x760
MXCER-092	3207	5454	1/4	20	580	2.8	---	---	0.22	60	66	956x795x760
MXCER-093	3429	5831	1/3	20	620	3.5	---	---	0.27	61	66	956x795x760
MXCER-094	3622	6160	1/3	20	665	3.5	---	---	0.32	62	66	956x795x760
MXCER-095	3788	6442	1/2	20	685	5.8	---	---	0.37	63	66	956x795x760
MXCER-096	3981	6771	1/2	20	720	5.8	---	---	0.43	64	66	956x795x760
MXCER-097	4175	7100	1/2	20	755	5.8	---	---	0.5	65	66	956x795x760
MXCER-098	4368	7429	3/4	20	790	---	3	1.5	0.56	66	66	956x795x760
MXCER-099	4534	7711	3/4	20	820	---	3	1.5	0.63	67	66	956x795x760
MXCER-100	4700	7993	3/4	20	850	---	3	1.5	0.71	68	66	956x795x760
MXCER-101	4866	8276	1	20	880	---	3.6	1.8	0.78	69	66	956x795x760
MXCER-102	5060	8605	1	20	915	---	3.6	1.8	0.88	69	66	956x795x760
MXCER-103	5253	8934	1	20	950	---	3.6	1.8	0.98	70	66	956x795x760
MXCER-104	5447	9263	1 ½	20	985	---	4.6	2.3	1.1	71	66	956x795x760
MXCER-105	5668	9639	1 ½	20	1025	---	4.6	2.3	1.24	72	66	956x795x760
MXCER-106	5916	10062	1 ½	20	1070	---	4.6	2.3	1.41	73	66	956x795x760
MXCER-107	6138	10439	2	20	1110	---	5.8	2.9	1.57	74	66	956x795x760

Características Generales

Clave	Caudal a descarga libre		HP	Ø Rotor pulg	RPM	Amperaje			BHP	Nivel Sonoro dB	Peso y dimensiones con empaque de madera	
	CFM	m3/hr				127V	220V	440V			kg	cm
MXCER-108	6332	10768	2	20	1145	---	5.8	2.9	1.73	74	66	956x795x760
MXCER-109	6553	11144	2	20	1185	---	5.8	2.9	1.91	75	66	956x795x760
MXCER-110	6746	11473	2	20	1220	---	5.8	2.9	2.09	76	66	956x795x760
MXCER-111	2582	4391	1/4	22	340	2.8	---	---	0.07	57	110	1240x1095x965
MXCER-112	2885	4907	1/4	22	380	2.8	---	---	0.1	57	110	1240x1095x965
MXCER-113	3189	5423	1/4	22	420	2.8	---	---	0.14	58	110	1240x1095x965
MXCER-114	3492	5939	1/4	22	460	2.8	---	---	0.18	59	110	1240x1095x965
MXCER-115	3796	6455	1/4	22	500	2.8	---	---	0.23	61	110	1240x1095x965
MXCER-116	3871	6584	1/4	22	510	2.8	---	---	0.24	61	110	1240x1095x965
MXCER-117	4137	7035	1/3	22	545	3.5	---	---	0.29	62	110	1240x1095x965
MXCER-118	4251	7230	1/3	22	560	3.5	---	---	0.31	63	110	1240x1095x965
MXCER-119	4555	7746	1/2	22	600	5.8	---	---	0.38	64	110	1240x1095x965
MXCER-120	4782	8133	1/2	22	630	5.8	---	---	0.44	66	110	1240x1095x965
MXCER-121	4934	8391	1/2	22	650	5.8	---	---	0.48	66	110	1240x1095x965
MXCER-122	5237	8907	3/4	22	690	---	3	1.5	0.57	68	110	1240x1095x965
MXCER-123	5465	9294	3/4	22	720	---	3	1.5	0.65	69	110	1240x1095x965
MXCER-124	5731	9746	1	22	755	---	3.6	1.8	0.75	69	110	1240x1095x965
MXCER-125	5996	10198	1	22	790	---	3.6	1.8	0.89	70	110	1240x1095x965
MXCER-126	6148	10456	1	22	810	---	3.6	1.8	0.93	70	110	1240x1095x965
MXCER-127	6452	10972	1 ½	22	850	---	4.6	2.3	1.07	71	110	1240x1095x965
MXCER-128	6679	11359	1 ½	22	880	---	4.6	2.3	1.19	72	110	1240x1095x965
MXCER-129	6869	11682	1 ½	22	905	---	4.6	2.3	1.49	72	110	1240x1095x965
MXCER-130	7097	12069	2	22	935	---	5.8	2.9	1.49	73	110	1240x1095x965
MXCER-131	7324	12456	2	22	965	---	5.8	2.9	1.59	74	110	1240x1095x965
MXCER-132	7552	12843	2	22	995	---	5.8	2.9	1.76	75	110	1240x1095x965
MXCER-133	3232	5491	1/4	24	320	2.8	---	---	0.08	49	141	1240x1130x965
MXCER-134	3535	6006	1/4	24	350	2.8	---	---	0.1	50	141	1240x1130x965
MXCER-135	3838	6521	1/4	24	380	2.8	---	---	0.14	51	141	1240x1130x965
MXCER-136	4191	7121	1/4	24	415	2.8	---	---	0.18	52	141	1240x1130x965
MXCER-137	4494	7635	1/4	24	445	2.8	---	---	0.22	53	141	1240x1130x965
MXCER-138	4848	8237	1/3	24	480	3.5	---	---	0.27	55	141	1240x1130x965
MXCER-139	5050	8580	1/3	24	500	3.5	---	---	0.31	56	141	1240x1130x965
MXCER-140	5302	9008	1/2	24	525	5.8	---	---	0.36	57	141	1240x1130x965
MXCER-141	554	9351	1/2	24	545	5.8	---	---	0.4	58	141	1240x1130x965
MXCER-142	5757	9781	1/2	24	570	5.8	---	---	0.46	59	141	1240x1130x965
MXCER-143	6110	10381	3/4	24	605	---	3	1.5	0.55	61	141	1240x1130x965
MXCER-144	6413	10896	3/4	24	635	---	3	1.5	0.63	63	141	1240x1130x965
MXCER-145	6868	11669	1	24	680	---	3.6	1.8	0.78	65	141	1240x1130x965
MXCER-146	7019	11925	1	24	695	---	3.6	1.8	0.83	65	141	1240x1130x965
MXCER-147	7272	12355	1	24	720	---	3.6	1.8	0.92	66	141	1240x1130x965
MXCER-148	7575	12870	1 ½	24	750	---	4.6	2.3	1.04	67	141	1240x1130x965
MXCER-149	7828	13299	1 ½	24	775	---	4.6	2.3	1.15	68	141	1240x1130x965

Copyright© desde 1996, VentDepot tiene todos los derechos reservados y se reserva el derecho de modificar esta ficha técnica sin previo aviso.

VentDepot México, Tel:(52)(55)5822-1516, Fax:(52)(55)5825-0752

<http://www.VentDepot.com> ventas@ventdepot.net

Características Generales

Clave	Caudal a descarga libre		HP	Ø Rotor pulg	RPM	Amperaje			BHP	Nivel Sonoro dB	Peso y dimensiones con empaque de madera	
	CFM	m3/hr				127V	220V	440V			kg	cm
MXCER-150	8181	13900	1 ½	24	810	---	4.6	2.3	1.31	69	141	1240x1130x965
MXCER-151	8535	14500	2	24	845	---	5.8	2.9	1.49	70	141	1240x1130x965
MXCER-152	8787	14929	2	24	870	---	5.8	2.9	1.63	71	141	1240x1130x965
MXCER-153	9090	15444	2	24	900	---	5.8	2.9	1.8	72	141	1240x1130x965
MXCER-154	9393	15959	2	24	930	---	5.8	2.9	1.99	73	141	1240x1130x965
MXCER-155	3681	6254	1/4	26	285	2.8	---	---	0.1	57	161	1355x1160x1065
MXCER-156	4004	6803	1/4	26	310	2.8	---	---	0.13	57	161	1355x1160x1065
MXCER-157	4327	7351	1/4	26	335	2.8	---	---	0.17	58	161	1355x1160x1065
MXCER-158	4650	7900	1/4	26	360	2.8	---	---	0.21	59	161	1355x1160x1065
MXCER-159	4908	8339	1/3	26	380	3.5	---	---	0.25	60	161	1355x1160x1065
MXCER-160	5166	8778	1/3	26	400	3.5	---	---	0.29	60	161	1355x1160x1065
MXCER-161	5425	9216	1/2	26	420	5.8	---	---	0.33	61	161	1355x1160x1065
MXCER-162	5683	9655	1/2	26	440	5.8	---	---	0.38	61	161	1355x1160x1065
MXCER-163	5941	10094	1/2	26	460	5.8	---	---	0.44	62	161	1355x1160x1065
MXCER-164	6200	10533	3/4	26	480	---	3	1.5	0.5	63	161	1355x1160x1065
MXCER-165	6522	11082	3/4	26	505	---	3	1.5	0.58	63	161	1355x1160x1065
MXCER-166	6910	11740	1	26	535	---	3.6	1.8	6.69	64	161	1355x1160x1065
MXCER-167	7168	12179	1	26	555	---	3.6	1.8	0.77	65	161	1355x1160x1065
MXCER-168	7491	12727	1	26	580	---	3.6	1.8	0.88	66	161	1355x1160x1065
MXCER-169	7685	13057	1 ½	26	595	---	4.6	2.3	0.95	66	161	1355x1160x1065
MXCER-170	8072	13715	1 ½	26	625	---	4.6	2.3	1.1	67	161	1355x1160x1065
MXCER-171	8266	14044	1 ½	26	640	---	4.6	2.3	1.18	67	161	1355x1160x1065
MXCER-172	8524	14483	1 ½	26	660	---	4.6	2.3	1.29	68	161	1355x1160x1065
MXCER-173	8783	14922	2	26	680	---	5.8	2.9	1.41	68	161	1355x1160x1065
MXCER-174	9106	15470	2	26	705	---	5.8	2.9	1.57	69	161	1355x1160x1065
MXCER-175	9429	16019	2	26	730	---	5.8	2.9	1.75	69	161	1355x1160x1065
MXCER-176	9687	16458	2	26	750	---	5.8	2.9	1.9	70	161	1355x1160x1065
MXCER-177	3644	6197	1/3	28	260	3.5	---	---	0.11	60	172	1355x1160x1065
MXCER-178	3995	6794	1/3	28	285	3.5	---	---	0.15	60	172	1355x1163x1065
MXCER-179	4415	7509	1/3	28	315	3.5	---	---	0.2	60	172	1355x1163x1065
MXCER-180	4766	8105	1/3	28	340	3.5	---	---	0.25	60	172	1355x1163x1065
MXCER-181	5116	8701	1/3	28	365	3.5	---	---	0.31	60	172	1355x1163x1065
MXCER-182	5466	9296	1/2	28	390	5.8	---	---	0.38	60	172	1355x1163x1065
MXCER-183	5817	9893	1/2	28	415	5.8	---	---	0.46	60	172	1355x1163x1065
MXCER-184	6167	10488	3/4	28	44	---	3	1.5	0.54	61	172	1355x1163x1065
MXCER-185	6448	10966	3/4	28	460	---	3	1.5	0.62	63	172	1355x1163x1065
MXCER-186	7008	11918	1	28	500	---	3.6	1.8	0.8	64	172	1355x1163x1065
MXCER-187	7148	12156	1	28	510	---	3.6	1.8	0.85	65	172	1355x1163x1065
MXCER-188	7639	12991	1 ½	28	545	---	4.6	2.3	1.04	66	172	1355x1163x1065
MXCER-189	7989	13587	1 ½	28	570	---	4.6	2.3	1.18	67	172	1355x1163x1065
MXCER-190	8410	14303	1 ½	28	600	---	4.6	2.3	1.38	69	172	1355x1163x1065
MXCER-191	8760	14898	2	28	625	---	5.8	2.9	1.56	70	172	1355x1163x1065
MXCER-192	9181	15614	2	28	655	---	5.8	2.9	1.8	71	172	1355x1163x1065

Copyright© desde 1996, VentDepot tiene todos los derechos reservados y se reserva el derecho de modificar esta ficha técnica sin previo aviso.

VentDepot México, Tel:(52)(55)5822-1516, Fax:(52)(55)5825-0752

<http://www.VentDepot.com> ventas@ventdepot.net

Características Generales												
Clave	Caudal a descarga libre		HP	Ø Rotor pulg	RPM	Amperaje			BHP	Nivel Sonoro dB	Peso y dimensiones con empaque de madera	
	CFM	m3/hr				127V	220V	440V			kg	cm
MXCER-193	9531	16209	2	28	680	---	5.8	2.9	2.01	71	172	1355x1163x1065
MXCER-194	9812	16687	3	28	700	---	10.6	5.3	2.19	73	172	1355x1163x1065
MXCER-195	10232	17401	3	28	730	---	10.6	5.3	2.49	73	172	1355x1163x1065
MXCER-196	10653	17117	3	28	760	---	10.6	5.3	2.81	74	172	1355x1163x1065
MXCER-197	11073	18832	5	28	790	---	14.8	7.1	3.15	75	172	1355x1163x1065
MXCER-198	11423	19427	5	28	815	---	14.8	7.1	3.46	76	172	1355x1163x1065
MXCER-199	5913	10046	1/3	30	225	3.5	---	---	0.21	51	180	1570x1250x1200
MXCER-200	6376	10832	1/3	30	275	3.5	---	---	0.27	53	180	1570x1250x1200
MXCER-201	6840	11621	1/2	30	295	5.8	---	---	0.33	55	180	1570x1250x1200
MXCER-202	7536	12803	1/2	30	325	5.8	---	---	0.44	58	180	1570x1250x1200
MXCER-203	7884	13394	3/4	30	340	---	3	1.5	0.5	60	180	1570x1250x1200
MXCER-204	8231	13984	3/4	30	355	---	3	1.5	0.58	60	180	1570x1250x1200
MXCER-205	8580	14577	3/4	30	370	---	3	1.5	0.64	61	180	1570x1250x1200
MXCER-206	9043	15364	1	30	390	---	3.6	1.8	0.76	62	180	1570x1250x1200
MXCER-207	9623	16349	1	30	415	---	3.6	1.8	0.91	64	180	1570x1250x1200
MXCER-208	10203	17334	1 ½	30	440	---	4.6	2.3	1.08	65	180	1570x1250x1200
MXCER-209	10782	18318	1 ½	30	465	---	4.6	2.3	1.29	67	180	1570x1250x1200
MXCER-210	11362	19303	2	30	490	---	5.8	2.9	1.51	68	180	1570x1250x1200
MXCER-211	11825	20090	2	30	510	---	5.8	2.9	1.7	69	180	1570x1250x1200
MXCER-212	12289	20878	3	30	530	---	10.6	5.3	1.9	70	180	1570x1250x1200
MXCER-213	12754	21668	3	30	550	---	10.6	5.3	2.13	70	180	1570x1250x1200
MXCER-214	13217	22455	3	30	570	---	10.6	5.3	2.37	71	180	1570x1250x1200
MXCER-215	13681	23243	3	30	590	---	10.6	5.3	2.63	72	180	1570x1250x1200
MXCER-216	14261	24229	5	30	615	---	14.8	7.1	2.98	73	180	1570x1250x1200
MXCER-217	14724	25015	5	30	635	---	14.8	7.1	3.27	73	180	1570x1250x1200
MXCER-218	15304	26001	5	30	660	---	14.8	7.1	3.68	74	180	1570x1250x1200
MXCER-219	14768	26789	5	30	680	---	14.8	7.1	4.02	74	180	1570x1250x1200
MXCER-220	16232	27577	5	30	700	---	14.8	7.1	4.39	76	180	1570x1250x1200
MXCER-221	5520	9378	1/2	33	215	5.8	---	---	0.14	52	188	1570x1300x1200
MXCER-222	6162	10469	1/2	33	240	5.8	---	---	0.2	54	188	1570x1300x1200
MXCER-223	6804	11560	1/2	33	265	5.8	---	---	0.27	56	188	1570x1300x1200
MXCER-224	7446	12650	1/2	33	290	5.8	---	---	0.35	58	188	1570x1300x1200
MXCER-225	8344	14176	1/2	33	325	5.8	---	---	0.49	61	188	1570x1300x1200
MXCER-226	8730	14832	3/4	33	340	---	3	1.5	0.56	62	188	1570x1300x1200
MXCER-227	9372	15923	3/4	33	365	---	3	1.5	0.69	64	188	1570x1300x1200
MXCER-228	9756	16575	1	33	380	---	3.6	1.8	0.79	65	188	1570x1300x1200
MXCER-229	10527	17885	1	33	410	---	3.6	1.8	0.98	67	188	1570x1300x1200
MXCER-230	10784	18321	1 ½	33	420	---	4.6	2.3	1.06	68	188	1570x1300x1200
MXCER-231	11170	18977	1 ½	33	435	---	4.6	2.3	1.17	68	188	1570x1300x1200
MXCER-232	11811	20066	1 ½	33	460	---	4.6	2.3	1.39	69	188	1570x1300x1200
MXCER-233	12324	20938	2	33	480	---	5.8	2.9	1.57	70	188	1570x1300x1200
MXCER-234	12967	22030	2	33	505	---	5.8	2.9	1.83	71	188	1570x1300x1200
MXCER-235	13480	22902	3	33	525	---	10.6	5.3	2.06	72	188	1570x1300x1200

Características Generales

Clave	Caudal a descarga libre		HP	Ø Rotor pulg	RPM	Amperaje			BHP	Nivel Sonoro dB	Peso y dimensiones con empaque de madera	
	CFM	m3/hr				127V	220V	440V			kg	cm
MXCER-236	13994	23775	3	33	545	---	10.6	5.3	2.3	73	188	1570x1300x1200
MXCER-237	14892	25301	3	33	580	---	10.6	5.3	2.78	74	188	1570x1300x1200
MXCER-238	15149	25737	5	33	590	---	14.8	7.1	2.93	75	188	1570x1300x1200
MXCER-239	15791	26828	5	33	615	---	14.8	7.1	3.32	75	188	1570x1300x1200
MXCER-240	16305	27701	5	33	635	---	14.8	7.1	3.65	76	188	1570x1300x1200
MXCER-241	16947	28792	5	33	660	---	14.8	7.1	4.1	78	188	1570x1300x1200
MXCER-242	17588	29881	5	33	685	---	14.8	7.1	4.58	79	188	1570x1300x1200

Presión Estática mmca

Clave	3	6	9	12	15	19	22	25
MXCER-001	1155	818	---	---	---	---	---	---
MXCER-002	1248	981	---	---	---	---	---	---
MXCER-003	1335	1109	---	---	---	---	---	---
MXCER-004	1424	1224	772	---	---	---	---	---
MXCER-005	1493	1309	1008	---	---	---	---	---
MXCER-006	1583	1414	1174	---	---	---	---	---

Presión Estática mmca

Clave	3	6	9	12	15	19	22	25
MXCER-007	1669	1514	1305	---	---	---	---	---
MXCER-008	1718	1575	1387	1096	---	---	---	---
MXCER-009	1825	1686	1512	1269	---	---	---	---
MXCER-010	1911	1776	1619	1416	741	---	---	---
MXCER-011	1995	1864	1723	1543	1270	---	---	---
MXCER-012	2073	1944	1815	1647	1422	---	---	---
MXCER-013	2149	2022	1902	1748	1557	1216	---	---
MXCER-014	2225	2101	1989	1842	1672	1422	---	---
MXCER-015	2301	2181	2073	1938	1780	1574	---	---
MXCER-016	2376	2260	2152	2031	1883	1706	1446	---
MXCER-017	2458	2346	2240	2128	1991	1833	1614	---
MXCER-018	2542	2434	2328	2226	2097	1953	1778	1517
MXCER-019	2610	2502	2398	2304	2181	2044	1885	1660
MXCER-020	2684	2580	2478	2386	2274	2143	2001	1811
MXCER-021	2752	2648	2548	2457	2353	2228	2094	1931
MXCER-022	2818	2716	2618	2527	2431	2312	2183	2035
MXCER-023	987	---	---	---	---	---	---	---
MXCER-024	1122	---	---	---	---	---	---	---
MXCER-025	1254	---	---	---	---	---	---	---
MXCER-026	1380	1007	---	---	---	---	---	---
MXCER-027	1502	1188	---	---	---	---	---	---
MXCER-028	1623	1345	---	---	---	---	---	---
MXCER-029	1738	1490	1108	---	---	---	---	---

MXCER-030	1855	1625	1316	---	---	---	---	---
MXCER-031	1979	1766	1495	---	---	---	---	---
MXCER-032	2080	1883	1643	1291	---	---	---	---
MXCER-033	2194	2010	1792	1501	---	---	---	---
MXCER-034	2305	2133	1928	1679	---	---	---	---
MXCER-035	2417	2254	2064	1837	1534	---	---	---
MXCER-036	2526	2371	2194	1992	1735	---	---	---
MXCER-037	2637	2487	2321	2133	1940	1620	---	---
MXCER-038	2747	2605	2447	2269	2096	1831	---	---
MXCER-039	2857	2720	2570	2403	2220	1995	---	---
MXCER-040	2967	2834	2693	2536	2363	2157	1896	---
MXCER-041	3073	2943	2807	2653	2487	2296	2071	---
MXCER-042	3336	3205	3069	2919	2755	2579	2364	2091
MXCER-043	3394	3270	3141	3002	2851	2708	2516	2303
MXCER-044	3400	3286	3170	3045	2907	2757	2598	2407

Presión Estática mmcd								
Clave	3	6	9	12	15	19	22	25
MXCER-066	5461	5254	5050	4837	4604	4360	4082	3753
MXCER-067	2822	1972	---	---	---	---	---	---
MXCER-068	3179	1544	---	---	---	---	---	---
MXCER-069	3471	2961	2014	---	---	---	---	---
MXCER-070	3886	3446	2824	---	---	---	---	---
MXCER-071	4243	3858	3361	2492	---	---	---	---
MXCER-072	4562	4223	3783	3218	---	---	---	---
MXCER-073	4842	4530	4147	3654	2904	---	---	---
MXCER-074	5122	4840	4482	4058	3506	---	---	---
MXCER-075	5433	5171	4848	4474	4019	3366	---	---
MXCER-076	5742	5494	5207	4875	4477	4004	3104	---
MXCER-077	6016	5778	5516	5205	4848	4433	3873	---
MXCER-078	6428	6206	5977	5695	5396	5034	4624	4069
MXCER-079	6804	6594	6380	6132	5852	5543	5200	4792
MXCER-080	7141	6940	6734	6507	6245	5974	5646	5265
MXCER-081	7380	7189	6992	6785	6541	6278	5989	5671
MXCER-082	7684	7501	7313	7123	6894	6646	6395	6091
MXCER-083	8021	7847	7666	7485	7280	7051	6809	6549
MXCER-084	8358	8192	8019	7843	7660	7448	7218	6986
MXCER-085	8693	8536	8369	8202	8033	7835	7622	7398
MXCER-086	8961	8809	8648	8484	8322	8139	7939	7722
MXCER-087	9262	9118	8961	8804	8645	8483	8290	8087
MXCER-088	9529	9331	9237	9085	8931	8740	8560	8371
MXCER-089	3434	---	---	---	---	---	---	---
MXCER-090	3971	2815	---	---	---	---	---	---
MXCER-091	4405	3545	---	---	---	---	---	---
MXCER-092	4827	4119	2149	---	---	---	---	---
MXCER-093	5241	4631	3667	---	---	---	---	---
MXCER-094	5599	5054	4285	---	---	---	---	---

Presión Estática mmca								
Clave	3	6	9	12	15	19	22	25
MXCER-095	5914	5399	4735	3653	---	---	---	---
MXCER-096	6277	5780	5196	4357	---	---	---	---
MXCER-097	6637	6159	5640	4954	3850	---	---	---
MXCER-098	6998	6528	6062	5474	4607	---	---	---
MXCER-099	7303	6841	6417	5870	5181	4068	---	---
MXCER-100	7606	7150	6748	6259	5653	4767	---	---
MXCER-101	7909	7459	7075	6626	6094	5365	4276	---
MXCER-102	8261	7816	7451	7046	9554	5958	5110	---
MXCER-103	8606	8182	7820	7455	7005	6498	5804	451
MXCER-104	8946	8547	8186	7839	7433	6965	6399	5618
MXCER-105	9336	8961	8600	8272	7909	7483	7015	6407
MXCER-106	9771	9423	9063	8771	8446	8057	7625	7130
MXCER-107	10160	9833	9473	9175	8867	8522	8131	7700
MXCER-108	10496	10155	9803	9508	9215	8908	8535	8133
MXCER-109	10882	10593	10252	9951	9673	9381	9046	8678
MXCER-110	11219	10947	10615	10311	10041	9761	9460	9111
MXCER-111	3438	---	---	---	---	---	---	---
MXCER-112	4159	---	---	---	---	---	---	---
MXCER-113	4786	3653	---	---	---	---	---	---
MXCER-114	5371	4497	---	---	---	---	---	---
MXCER-115	5943	5248	4173	---	---	---	---	---
MXCER-116	6085	5426	4403	---	---	---	---	---
MXCER-117	6578	6040	5168	---	---	---	---	---
MXCER-118	5932	5486	4774	---	---	---	---	---
MXCER-119	7345	6870	6222	5360	---	---	---	---
MXCER-120	7758	7307	6756	5996	5054	---	---	---
MXCER-121	8029	7597	7107	6387	5534	---	---	---
MXCER-122	8566	8171	7757	7143	6433	5559	---	---
MXCER-123	8968	8596	8201	7679	7021	6258	---	---
MXCER-124	9436	9088	8714	8294	7693	7040	6248	---
MXCER-125	9902	9578	9222	8862	8329	7727	7051	---
MXCER-126	10167	9857	9502	9153	8677	7105	7491	6752
MXCER-127	10697	10476	10144	9810	9440	8911	7340	7716
MXCER-128	11094	10825	10507	10187	963	9388	8865	8307
MXCER-129	11426	11168	10860	10549	10236	9829	9336	8797
MXCER-130	11820	11571	11282	10981	10679	10351	9874	9374
MXCER-131	12216	11974	11701	11411	11119	10827	10405	9941
MXCER-132	12610	12377	12119	11837	11554	11271	10928	10478
MXCER-133	3777	---	---	---	---	---	---	---
MXCER-134	4596	---	---	---	---	---	---	---
MXCER-135	5313	---	---	---	---	---	---	---
MXCER-136	6077	4293	---	---	---	---	---	---
MXCER-137	6696	5264	---	---	---	---	---	---
MXCER-138	7380	6218	3971	---	---	---	---	---

Presión Estática mmca								
Clave	3	6	9	12	15	19	22	25
MXCER-139	7764	6728	5073	---	---	---	---	---
MXCER-140	8240	7306	5943	---	---	---	---	---
MXCER-141	8616	7756	6522	4123	---	---	---	---
MXCER-142	9081	8295	7211	5673	---	---	---	---
MXCER-143	9722	9017	8106	6884	4083	---	---	---
MXCER-144	10270	9621	8806	7744	6322	---	---	---
MXCER-145	11086	10495	9808	8928	7844	6196	---	---
MXCER-146	11356	10780	10123	9305	8272	6952	---	---
MXCER-147	11805	11256	10639	9895	8972	7849	5792	---
MXCER-148	12342	11823	11254	10573	9747	8770	7528	---
MXCER-149	12790	12289	1752	11130	10384	9480	8424	6645
MXCER-150	13412	12933	12428	11861	11198	10405	9496	8412
MXCER-151	14034	13575	13101	12583	11986	11297	10485	9576
MXCER-152	14475	14030	13575	13091	12535	11890	11132	10293
MXCER-153	15006	14576	14144	13682	13160	12569	11898	11137
MXCER-154	15536	14119	14705	14261	13777	13239	12635	11917
MXCER-155	4693	---	---	---	---	---	---	---
MXCER-156	5428	---	---	---	---	---	---	---
MXCER-157	6123	4293	---	---	---	---	---	---
MXCER-158	6791	5343	---	---	---	---	---	---
MXCER-159	7307	6001	3554	---	---	---	---	---
MXCER-160	7810	6633	4837	---	---	---	---	---
MXCER-161	8312	7217	5807	---	---	---	---	---
MXCER-162	8804	7787	6585	4351	---	---	---	---
MXCER-163	9292	8342	7231	5581	---	---	---	---
MXCER-164	9769	8879	7865	6570	---	---	---	---
MXCER-165	10354	9538	8605	7544	5807	---	---	---
MXCER-166	11055	10310	9462	8510	7324	5257	---	---
MXCER-167	11516	10812	10022	9137	8106	6522	---	---
MXCER-168	12095	11438	10694	9875	8966	7820	5918	---
MXCER-169	12440	11808	11091	10306	9443	8412	6852	---
MXCER-170	13126	12544	11874	11152	10379	9511	8419	6757
MXCER-171	13470	12911	12262	11572	10816	9994	9010	7584
MXCER-172	13927	13390	12766	12105	11392	10624	9783	8660
MXCER-173	14384	13862	13269	12639	11961	11249	10454	9842
MXCER-174	14951	14448	13893	13296	12663	11980	12985	10426
MXCER-175	15519	15116	14511	13944	13341	12697	12029	11288
MXCER-176	15971	15497	15002	14450	13872	13261	12622	11924
MXCER-177	4515	---	---	---	---	---	---	---
MXCER-178	5379	---	---	---	---	---	---	---
MXCER-179	6248	4128	---	---	---	---	---	---
MXCER-180	6964	5408	---	---	---	---	---	---
MXCER-181	7658	6332	---	---	---	---	---	---
MXCER-182	8335	7179	5389	---	---	---	---	---

Presión Estática mmca								
Clave	3	6	9	12	15	19	22	25
MXCER-183	8991	7920	6526	---	---	---	---	---
MXCER-184	9655	8670	7491	5473	---	---	---	---
MXCER-185	10187	9274	8218	6748	---	---	---	---
MXCER-186	11168	10286	9306	8085	8010	---	---	---
MXCER-187	11464	10668	9789	8776	7325	6838	---	---
MXCER-188	12337	11605	10804	9915	8816	7138	6558	---
MXCER-189	12966	12289	11546	10731	9793	8512	7721	---
MXCER-190	13714	13088	12388	11643	10823	9815	8386	---
MXCER-191	14327	3735	13063	12352	11578	10684	9490	7364
MXCER-192	15066	14519	13884	13218	12514	11743	10801	9546
MXCER-193	15684	15165	14560	13929	13264	12534	11713	10622
MXCER-194	16182	15689	15117	14520	13891	13219	12500	11600
MXCER-195	16915	16439	15901	15330	14730	14112	13425	12663
MXCER-196	17645	17182	16680	16131	15563	14968	15146	13662
MXCER-197	18378	17932	17466	16940	16401	15833	15259	14619
MXCER-198	18988	18554	18112	17609	17087	16548	15993	15398
MXCER-199	8223	---	---	---	---	---	---	---
MXCER-200	9186	7025	---	---	---	---	---	---
MXCER-201	10119	8220	---	---	---	---	---	---
MXCER-202	11463	9844	7759	---	---	---	---	---
MXCER-203	12127	10615	8816	---	---	---	---	---
MXCER-204	12783	11356	9701	---	---	---	---	---
MXCER-205	13425	12086	10567	8575	---	---	---	---
MXCER-206	14276	13045	11638	10012	---	---	---	---
MXCER-207	15333	14210	12927	11498	9684	---	---	---
MXCER-208	16381	15338	14162	12893	11444	---	---	---
MXCER-209	17423	16451	15372	14200	12914	11361	---	---
MXCER-210	18459	17552	16561	15467	14314	13014	11381	---
MXCER-211	19285	18418	17482	16449	15362	14183	12825	---
MXCER-212	20105	19275	18386	17418	16395	15319	14100	12618
MXCER-213	20921	20124	19281	18372	19399	16376	15270	14050
MXCER-214	21735	20972	20168	19349	18379	17416	16415	15274
MXCER-215	22547	21814	21052	20238	19349	18440	17474	16441
MXCER-216	23559	22863	22146	21364	20547	19674	18777	17851
MXCER-217	24368	23699	23004	22260	21493	20651	19801	18904
MXCER-218	25379	24738	24071	23371	22642	21854	21041	20204
MXCER-219	26186	25569	24920	24252	23546	22805	22018	21228
MXCER-220	26989	26397	25765	25131	24444	23751	22985	22221
MXCER-221	6876	---	---	---	---	---	---	---
MXCER-222	8361	---	---	---	---	---	---	---
MXCER-223	9723	6624	---	---	---	---	---	---
MXCER-224	11028	8818	---	---	---	---	---	---
MXCER-225	12771	11019	8157	---	---	---	---	---
MXCER-226	13507	11857	9640	---	---	---	---	---

Presión Estática mmca								
Clave	3	6	9	12	15	19	22	25
MXCER-227	14718	13226	11437	---	---	---	---	---
MXCER-228	15437	14032	12396	9890	---	---	---	---
MXCER-229	16847	15590	14166	12460	---	---	---	---
MXCER-230	17309	16092	14721	13111	10572	---	---	---
MXCER-231	17999	16842	15544	14074	12060	---	---	---
MXCER-232	19142	18080	16896	15603	14038	11573	---	---
MXCER-233	20053	19060	17961	16723	15330	13552	---	---
MXCER-234	21186	20274	19235	18095	16908	15449	13314	---
MXCER-235	22091	21237	20241	19179	18047	16740	15217	---
MXCER-236	22994	22197	21235	2246	19158	18009	16657	14741
MXCER-237	24567	23833	22958	22045	21067	20043	18906	14634
MXCER-238	25015	24295	23447	22559	21606	20599	19536	18287
MXCER-239	26137	25445	24660	23809	22938	21973	21007	19892
MXCER-240	27030	26361	25627	24803	23977	23059	22123	21152
MXCER-241	28146	27503	26826	26035	25240	24400	23499	22601
MXCER-242	29259	28641	28019	27256	26491	25726	24858	23992